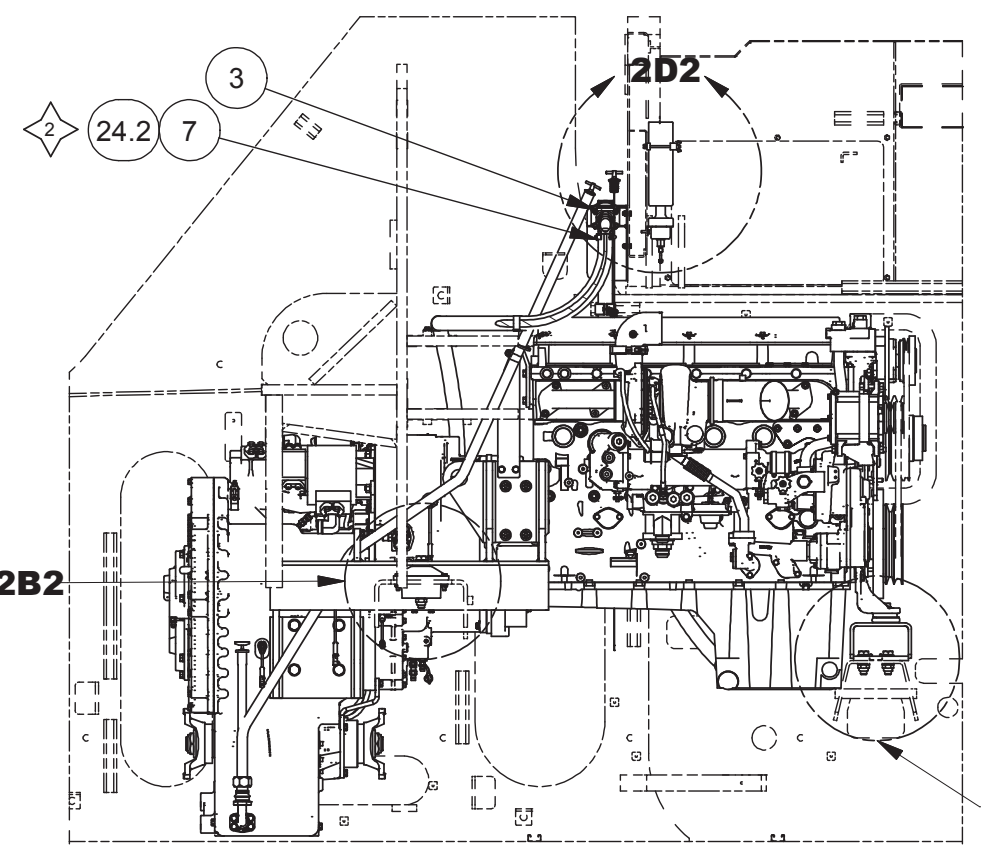
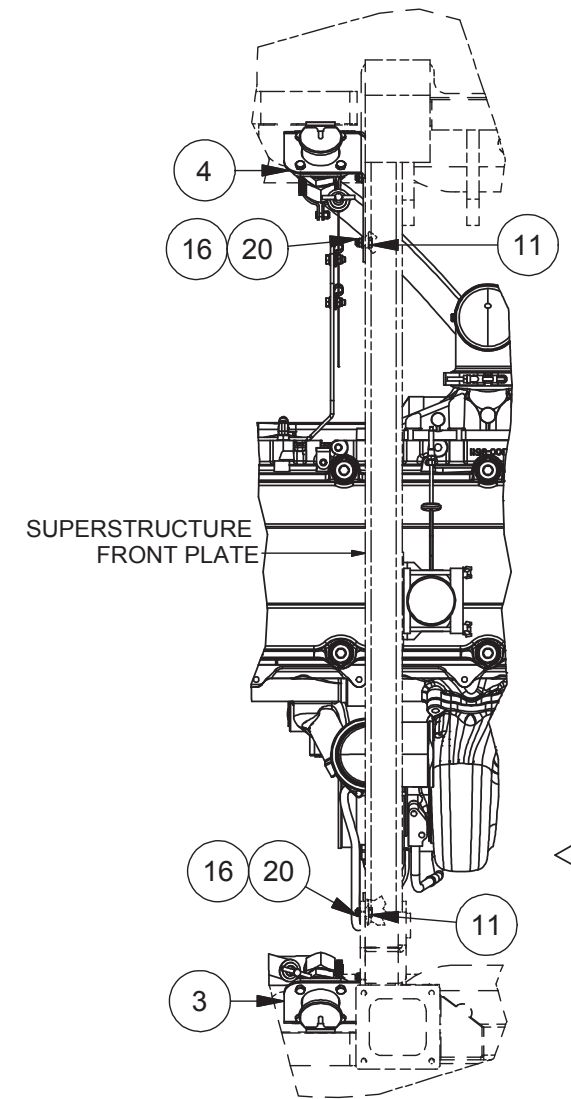
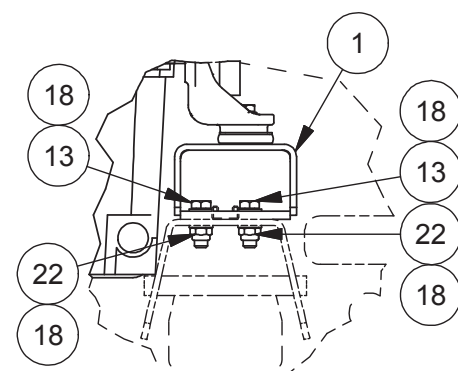
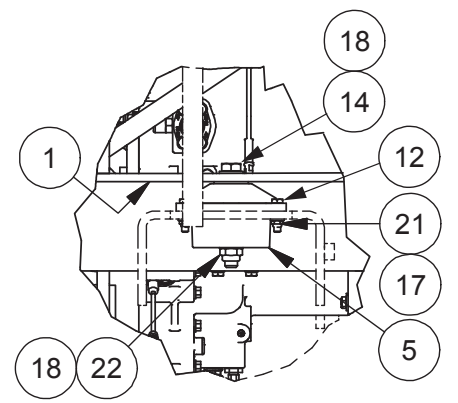
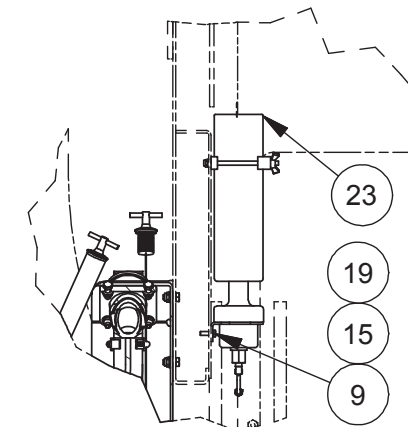
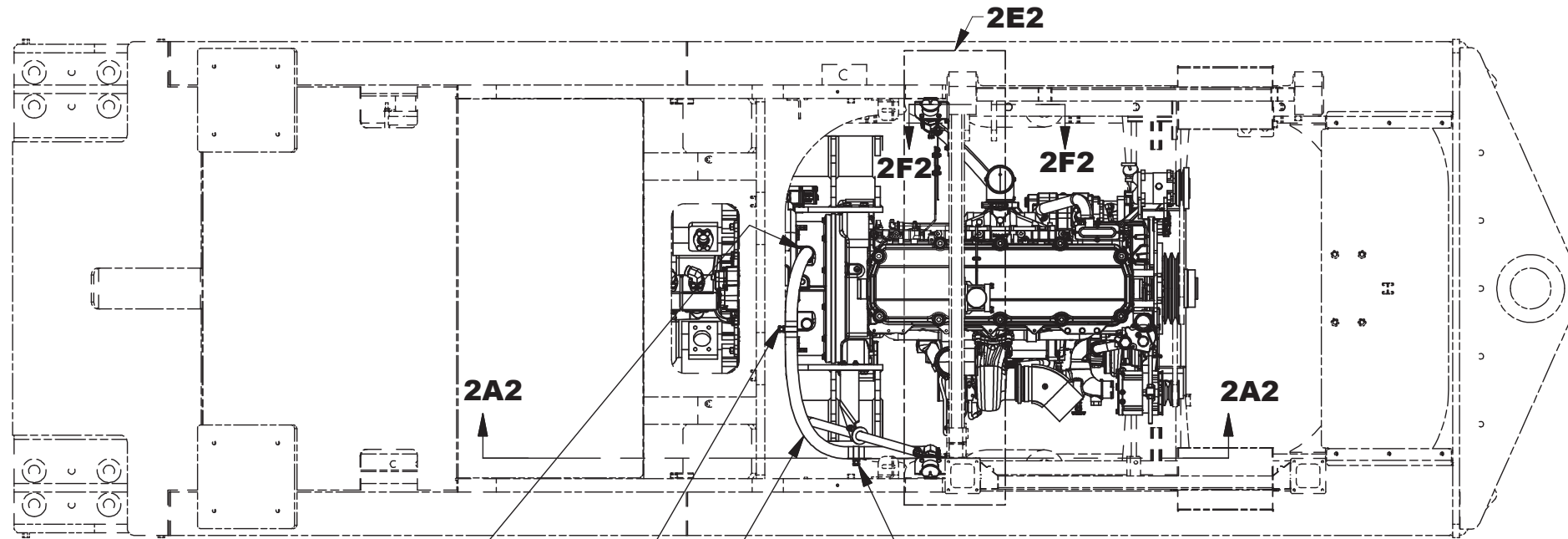
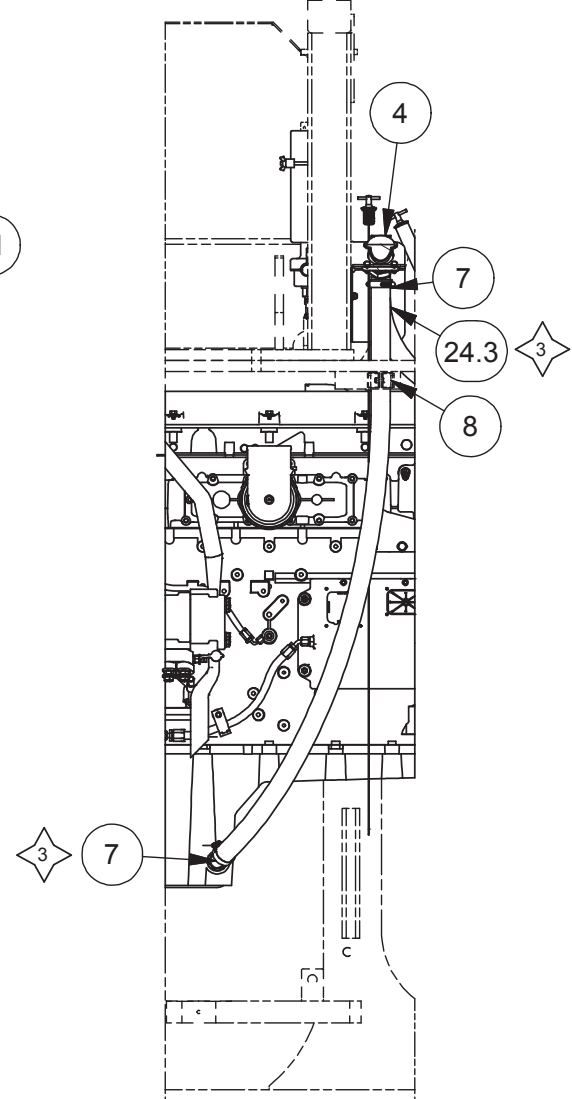

Power Unit Installation

Power Unit Installation

Item	Part No.	Qty	Description	Item	Part No.	Qty	Description
	594270		Installation, Pwr Unit				
1	* 594364	1	. Assembly, Power Unit	24.7	595544	1	. . Hose Assembly, Fuel
2	595506	1	. Installation, Power Unit	24.8	595556	2	. . Hose Assembly, Fuel
2.1	591648	2	. Ball Valve	24.9	595557	1	. . Hose Assembly, Fuel
2.2	595429	1	. Bracket, Aux Filter	24.10	595558	1	. . Hose Assembly, Fuel
2.3	592430	1	. Bracket, Oil Drain	24.11	595570	1	. . Hose Assembly, Fuel
2.4	561862	2	. Spacer	24.12	592605-98	1	. . Hose, Coolant
2.5	2510972	1	. Fitting	24.13	592605-116	1	. . Hose, Coolant
2.6	596026	2	. Fitting	24.14	596128	1	. . Hose Assembly
2.7	2510132	1	. Fitting	24.15	596127	1	. . Hose Assembly
2.8	2517171	1	. Fitting	24.16	596126	1	. . Hose Assembly
2.9	592030	1	. Fitting	24.17	225829-27	1	. . Hose, Radiator
2.10	2514292	1	. Fitting	25	588143	1	. Elbow
2.11	2512501	1	. Fitting	26	215733	1	. Elbow
2.12	2511363	1	. Fitting	27	217495	2	. Elbow
2.13	224964	1	. Fitting	28	YDHA 8213-4.50	1	. Tube
2.14	592029	1	. Fitting	29	YDHA 8213-24.00	1	. Tube
2.15	296418W	4	. Hard Washer	30	YDHA 8213-46.50	1	. Tube
2.16	296420W	24	. Hard Washer	31	595522	1	. Plate, Air Intake Mount
2.17	296422W	8	. Hard Washer	32	236805	3	. Capscrew
2.18	302400W	2	. Locknut	34	207245	9	. T-Bolt Clamp
2.19	302401W	12	. Locknut	35	202259	1	. T-Bolt Clamp
2.20	302402W	4	. Locknut	36	243488	4	. Connector
2.21	R13806174	2	. Capscrew	37	569000	1	. Tube, Flex
2.22	293629W	2	. Capscrew	38	226586	2	. Seal Clamp
2.23	R13811210	8	. Capscrew	39	595204	1	. Tube, CAC
2.24	293631W	2	. Capscrew	40	595210	1	. Tube, CAC
2.25	293646W	4	. Capscrew	41	595126	2	. Plate, Support
2.26	592079	1	. Hose Assembly, Fuel	42	R13809366	4	. Capscrew
2.27	2511727	5	. Fitting	44	243489	12	. Clamp
2.28	2512642	1	. Fitting	45	595211	1	. Tube, Radiator
2.29	209842-4	1	. Hose, Push On	46	595212	1	. Tube, Radiator
3	* 591941	1	. Oil Fill Assembly, LH	47	R18564	3	. Hose, Radiator
4	* 591942	1	. Oil Fill Assembly, RH	48	241688	1	. Hose, Molded Elbow
5	591652	2	. Vibration Isolator, Front	49	225369	8	. T-Bolt Clamp
6	209702	2	. Clamp	50	209083	1	. Fitting
7	206289	4	. Hose Clamp	51	595565	1	. Tube Assembly
8	237508	1	. Clamp, Hydra-Zorb	52	209810	1	. Fitting
9	591923	2	. Capscrew	53	R13811210	3	. Capscrew
10	251118	2	. Capscrew	54	231248	3	. Clamp, Hydra-Zorb
11	293613W	6	. Capscrew	55	238429	5	. Clamp, Hydra-Zorb
12	293632W	8	. Capscrew	56	231537	2	. Clamp, Hydra-Zorb
13	293708W	4	. Capscrew	57	R13808095	1	. Clip, Insul
14	Y19C-M20150	2	. Capscrew	58	595564	1	. Fitting
15	296417W	2	. Hard Washer	59	231250	2	. Clamp, Hydra-Zorb
16	296418W	12	. Hard Washer	60	R13808094	2	. Clip, Insul
17	296420W	17	. Hard Washer	61	CLP7051171	4	. Mini Worm Drive Clamp
18	296430W	12	. Hard Washer	63	594874	1	. Finis Decals, Power Unit
19	302399W	2	. Hex Nut	63.1	587058	1	. Label Implement Pump Inlet
20	302400W	6	. Locknut	63.2	587059	1	. Label Steering Pump Inlet
21	302401W	11	. Locknut	63.3	587060	1	. Label Tilt Pump Inlet
22	302405W	6	. Locknut	63.4	587061	1	. Label Radiator Fan Pump Inlet
23	592606	1	. Ether Start Installation	63.5	594324	2	. Label Fuel Filter
23.1	45990029	8'	. . Copper Tube	63.6	594325	1	. Label Coolent Filter
23.2	587019	8'	. . Loom, Wire	64	CLP0100112	5	. Clamp, Hydra-Zorb
23.3	243503	1	. . Receptacle	65	209698	1	. Clamp
23.4	243505	1	. . Receptacle, Wedglock	66	* 594379	1	. Instr - Trans Config
23.5	243237	2	. . Pin	67	595778	1	. Wire Harness
24	595505	1	. Kit, Hose	69	249159	1	. Exhaust Blanket
24.1	207848	1	. . Hose Assembly	70	059-0042	1	. Fitting
24.2	23551-69	1	. . Hose	71	596070	1	. Tube Assembly
24.3	23551-61	1	. . Hose	72	209442	1	. Fitting
24.4	595532	1	. . Hose Assembly	73	R13809931	2	. T-Bolt Clamp
24.5	595536	1	. . Hose Assembly				
24.6	595543	1	. . Hose Assembly				

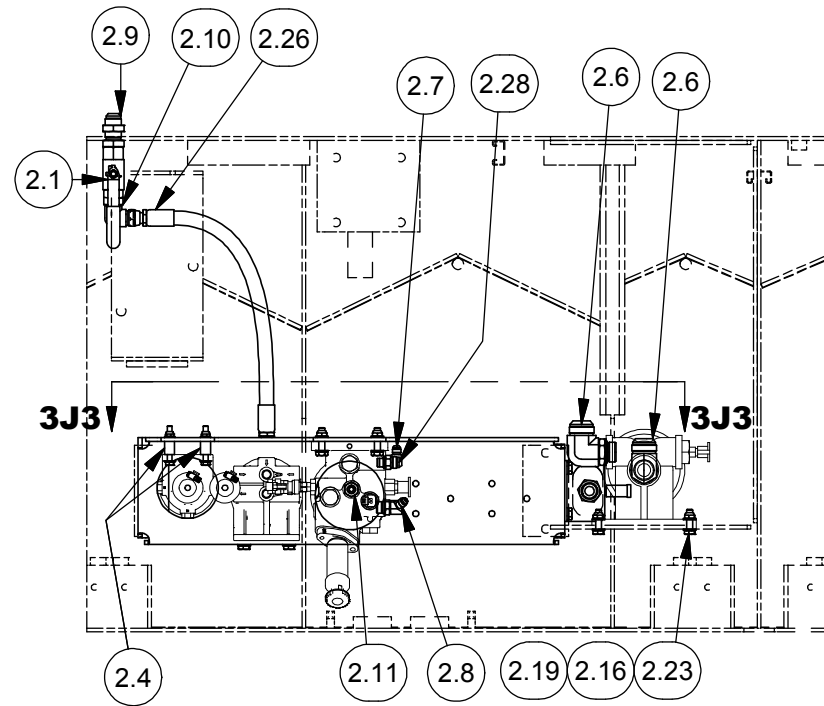


SECTION 2A2-2A2

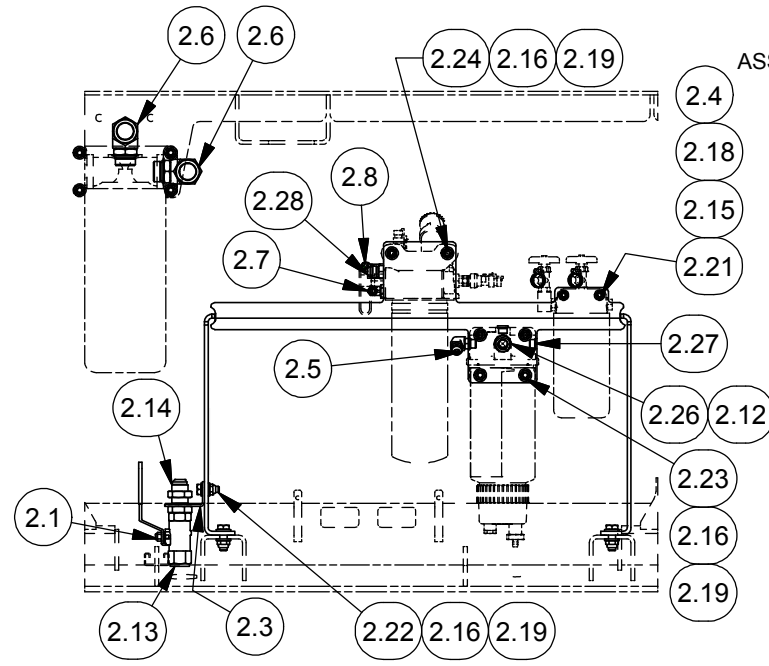


SECTION 2F2-2F2
VIEW ROTATED FOR CLARITY
ENGINE HOSE FILL ROUTING

D

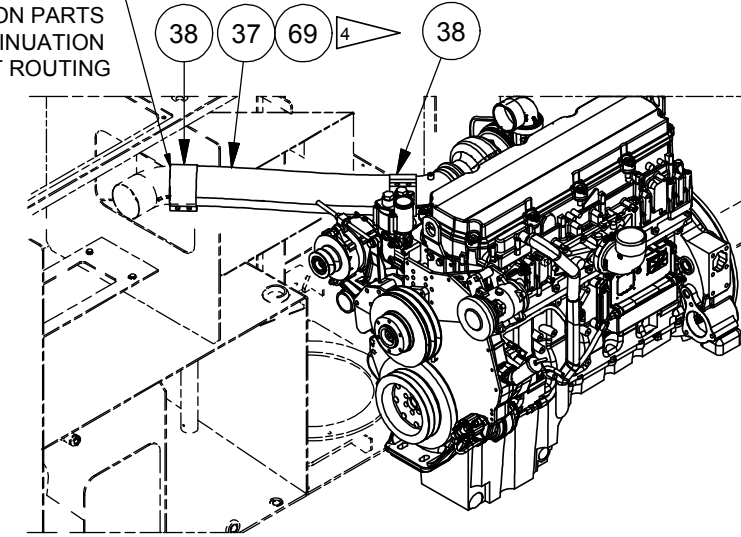


SECTION 3G3-3G3



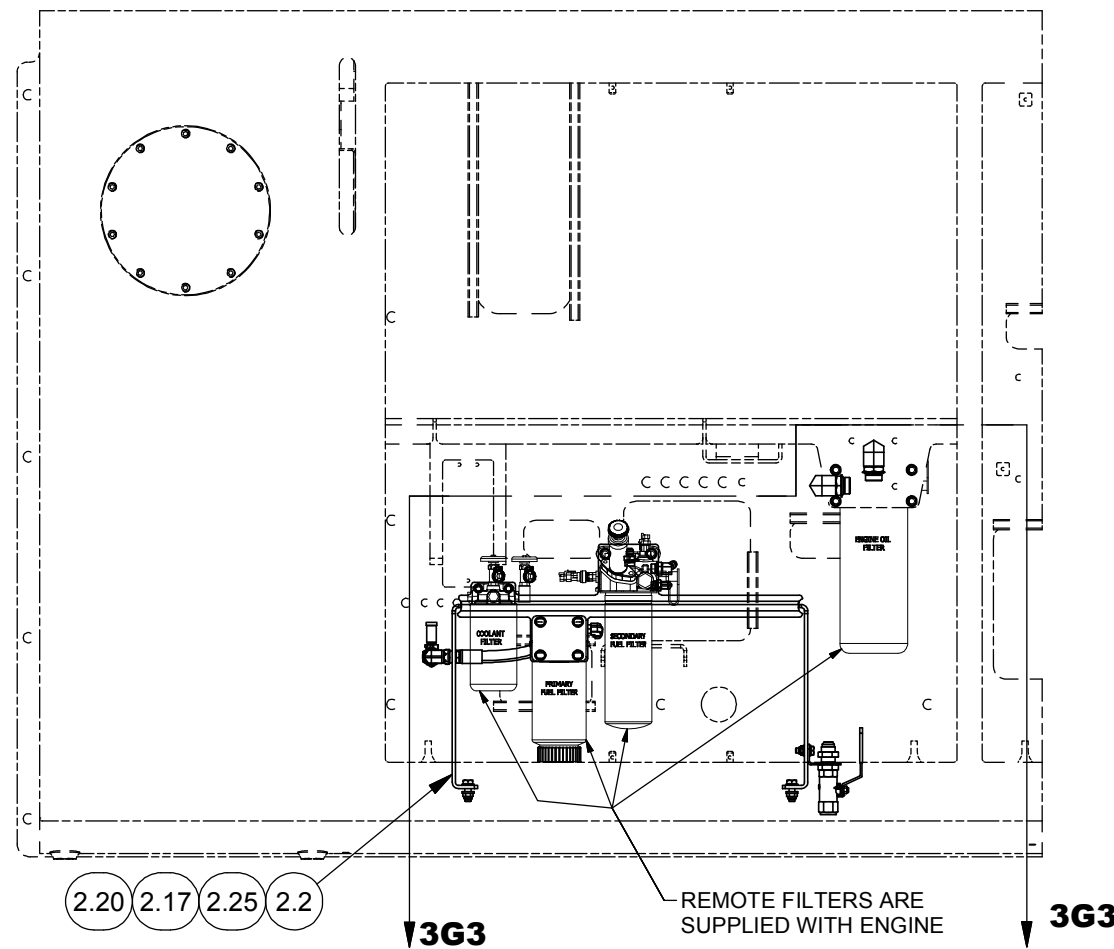
SECTION 3J3-3J3

SEE LEFT HAND SERVICE BAY COMMON PARTS ASSEMBLY FOR CONTINUATION OF EXHAUST ROUTING



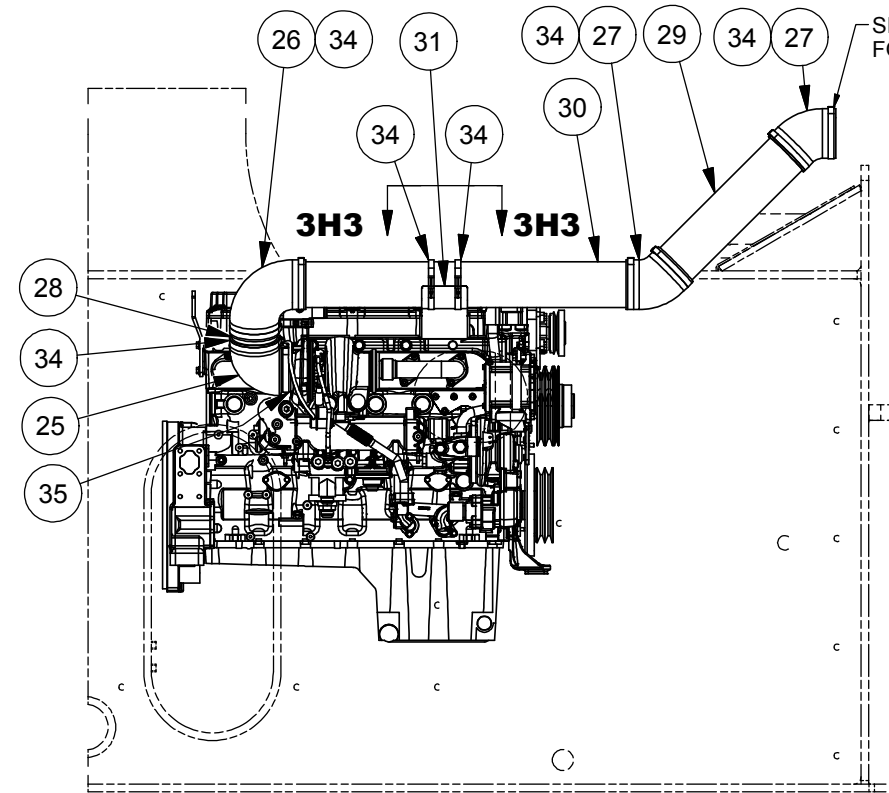
EXHAUST INSTALLATION

4 ITEM 69 (EXHAUST BLANKET) IS NOT SHOWN.



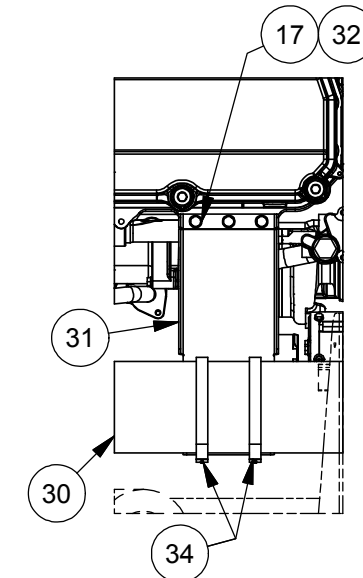
RH SERVICE BAY INSTL

REMOTE FILTERS ARE SUPPLIED WITH ENGINE



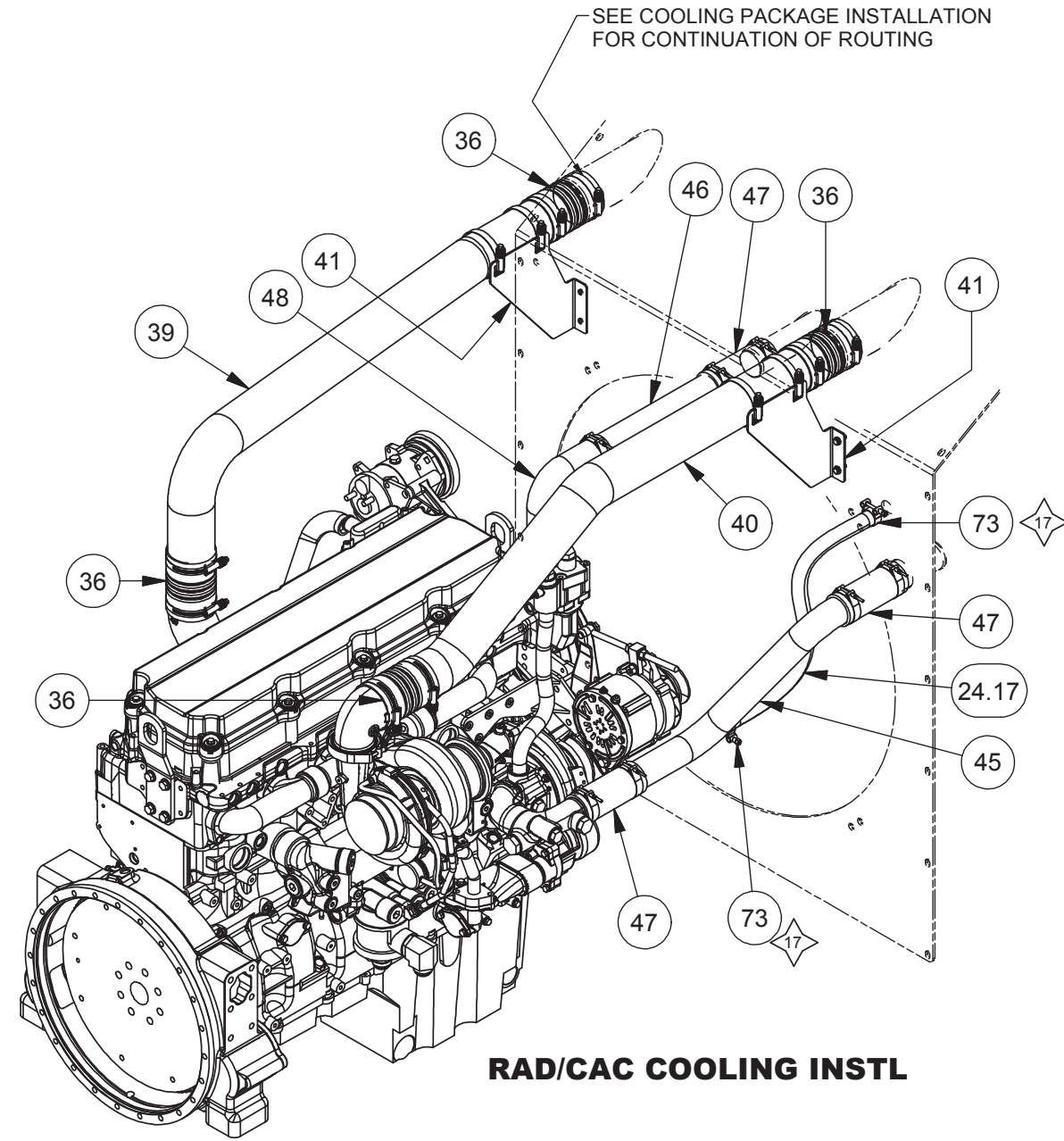
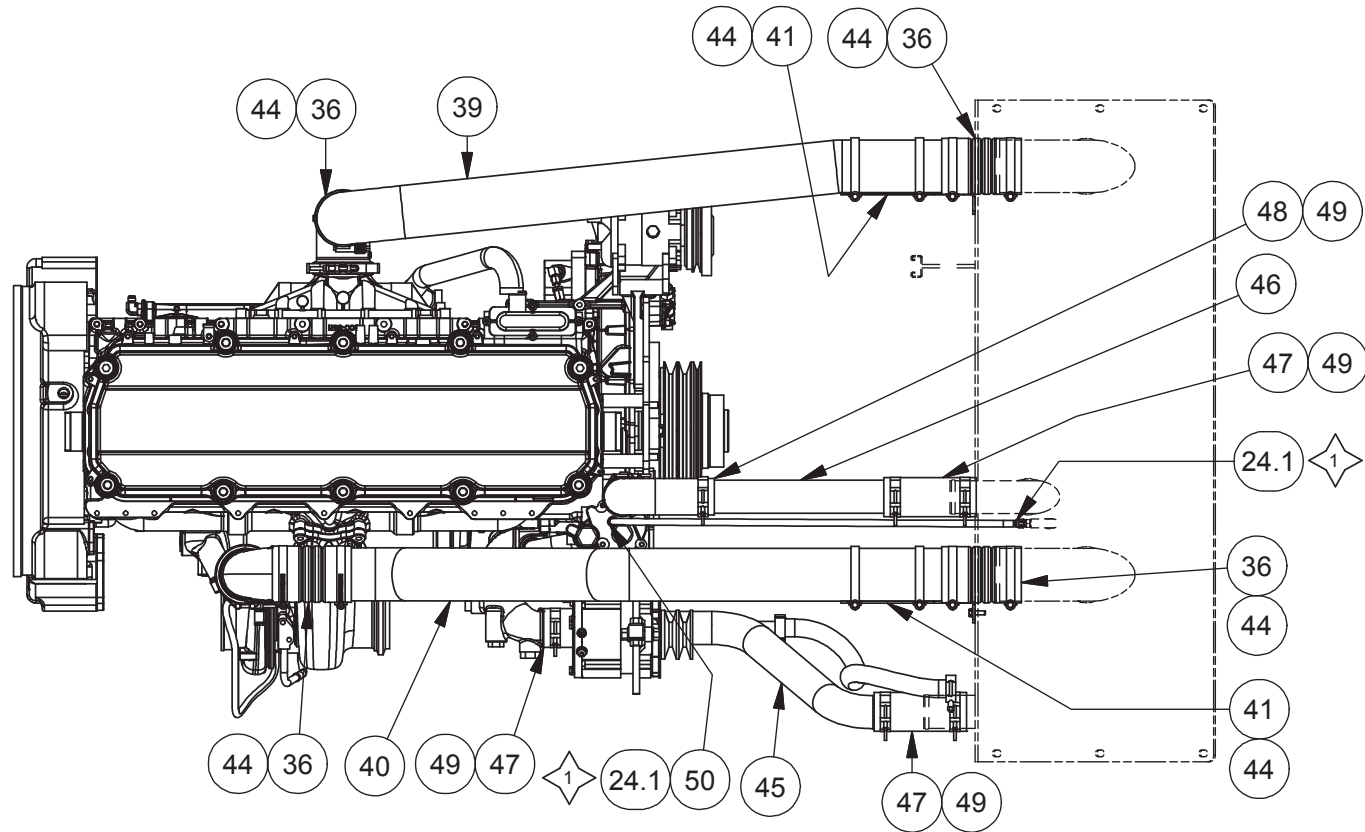
AIR INTAKE INSTALLATION

SEE AIR INTAKE INSTL COMMON PARTS FOR AIR INTAKE ROUTING CONTINUATION

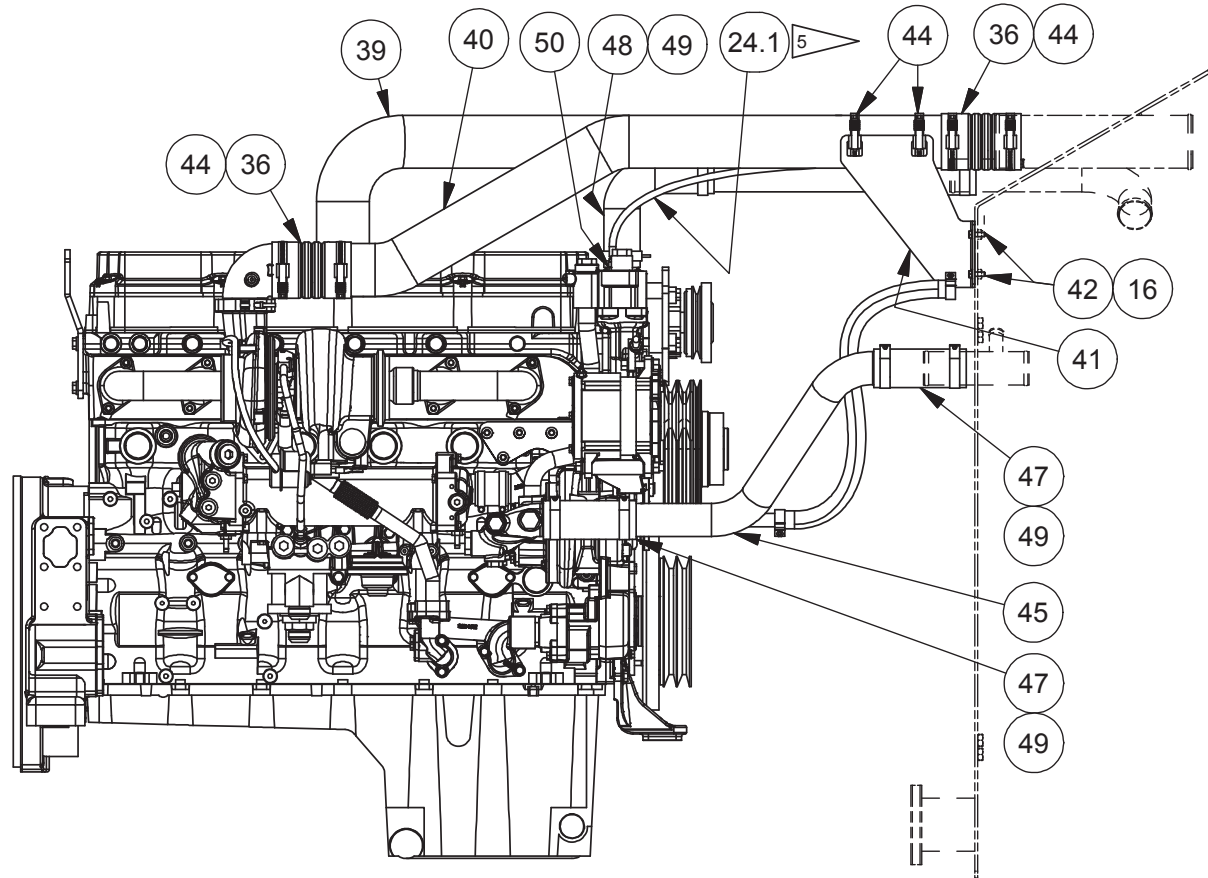


SECTION 3H3-3H3

D



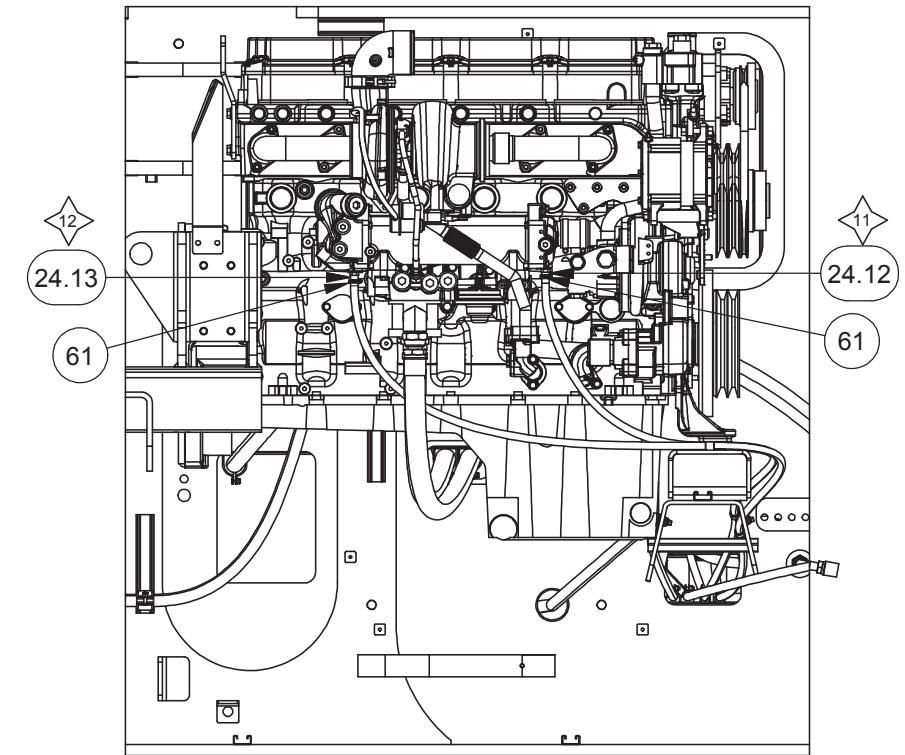
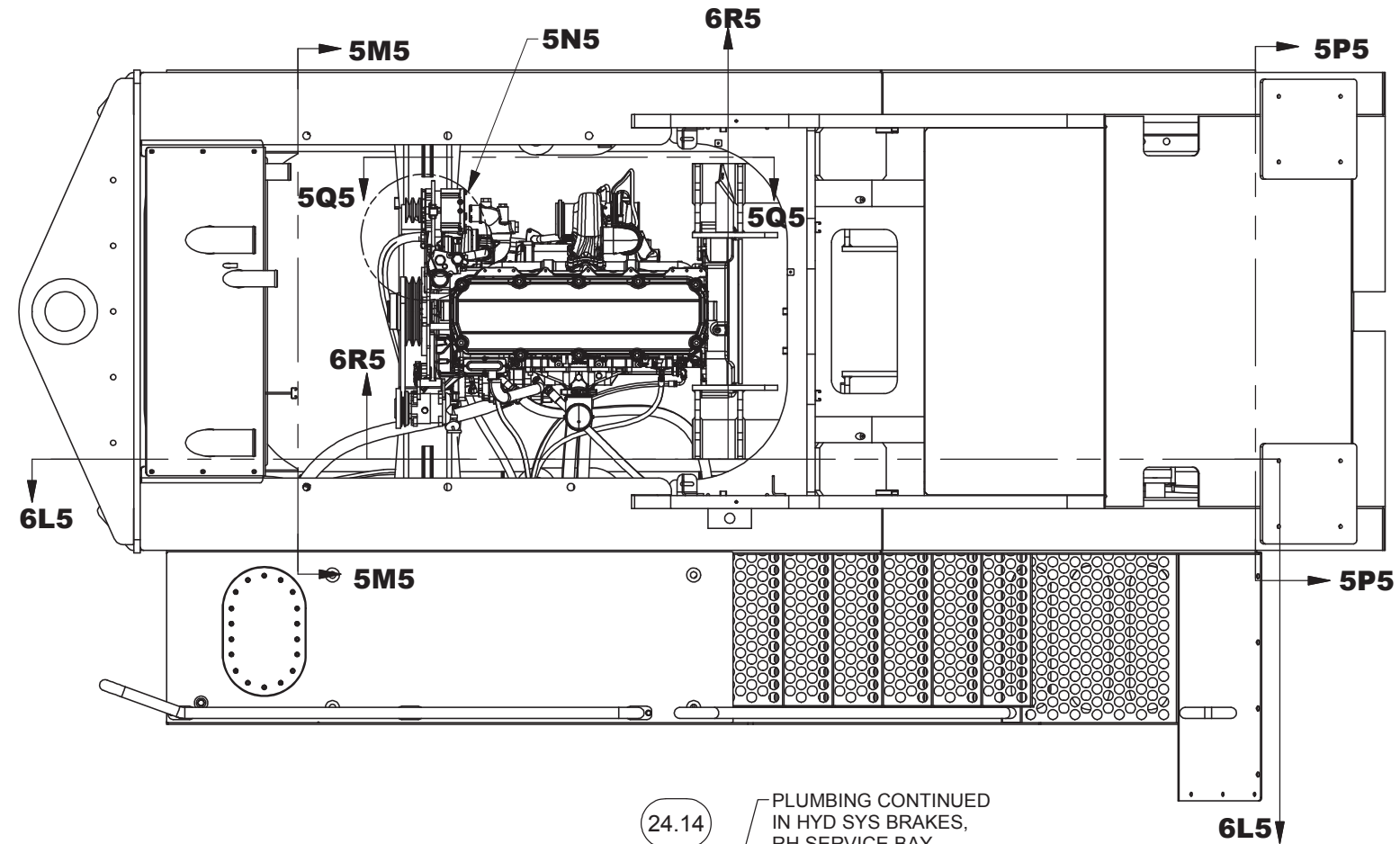
RAD/CAC COOLING INSTL



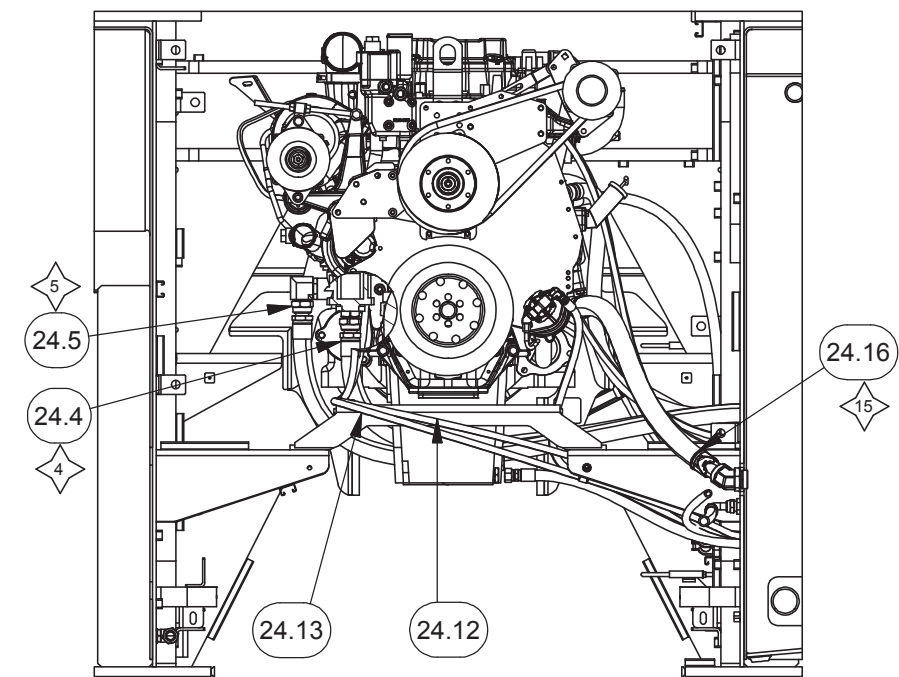
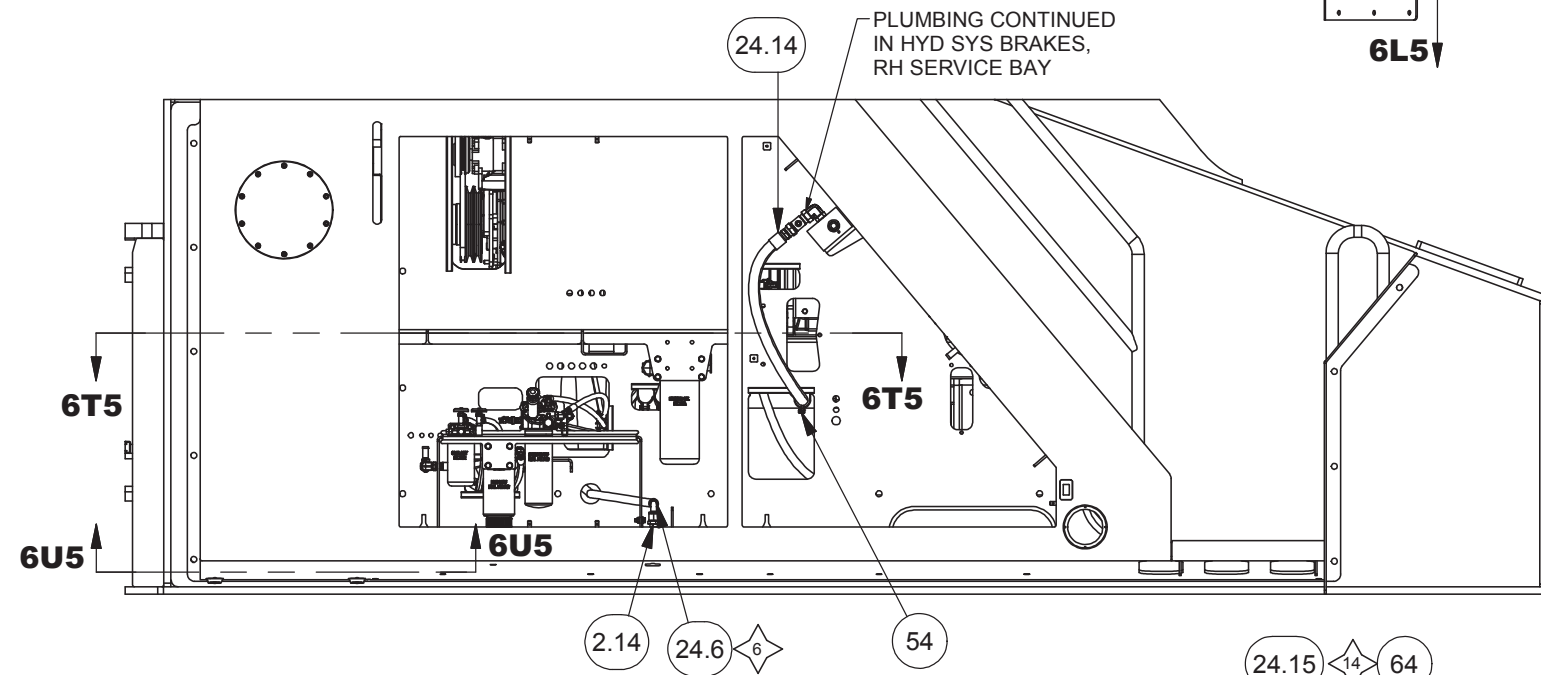
NOTES

5 VENT LINE MUST BE ROUTED IN CONTINUOUS UPWARD PATH FROM ENGINE TO FAN SHROUD BULKHEAD FITTING.

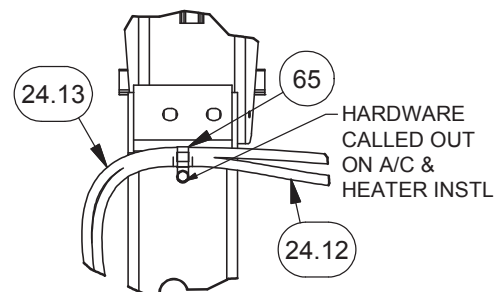
D



SECTION 5Q5-5Q5

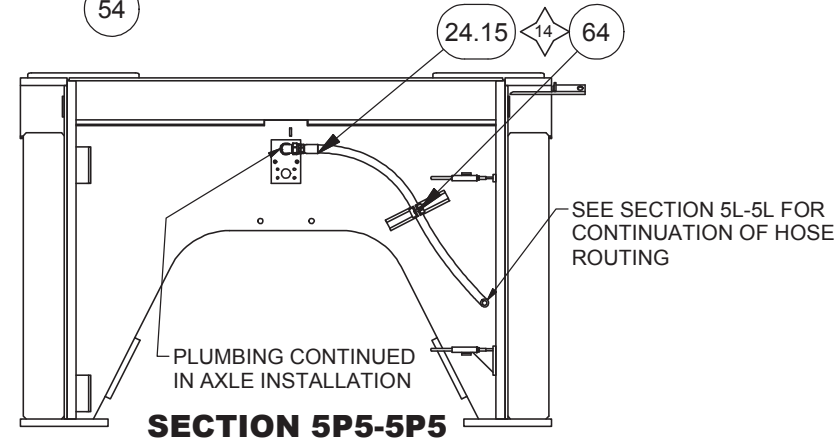


SECTION 5M5-5M5



DETAIL 5N5
ITEMS REMOVED FOR CLARITY

HARDWARE CALLED OUT ON A/C & HEATER INSTL



SECTION 5P5-5P5

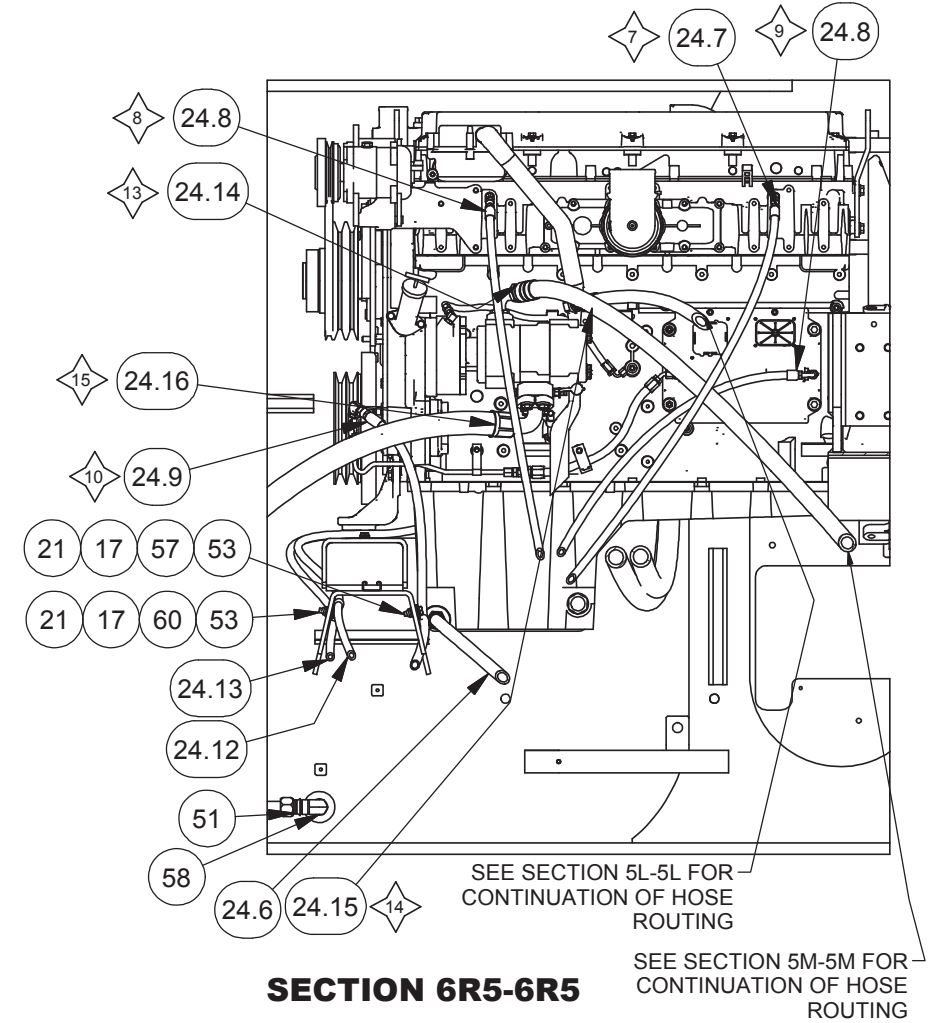
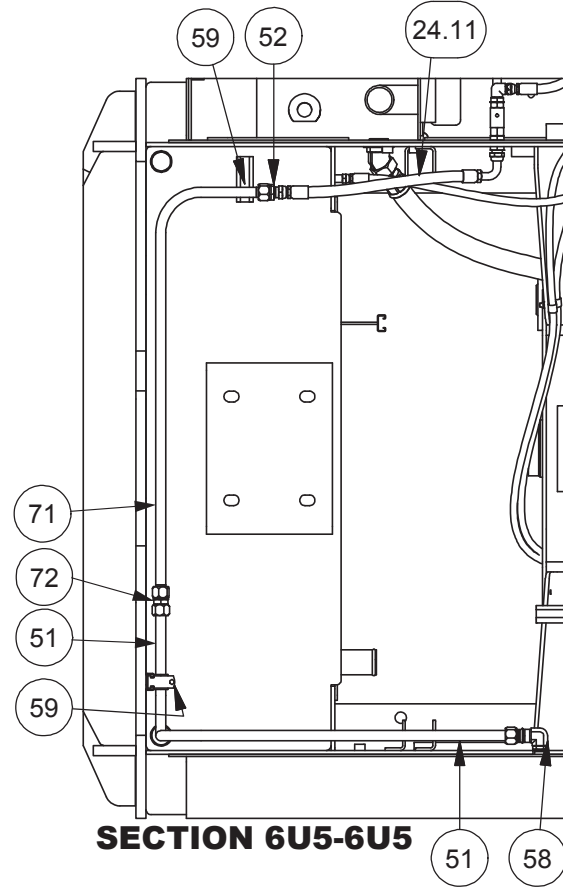
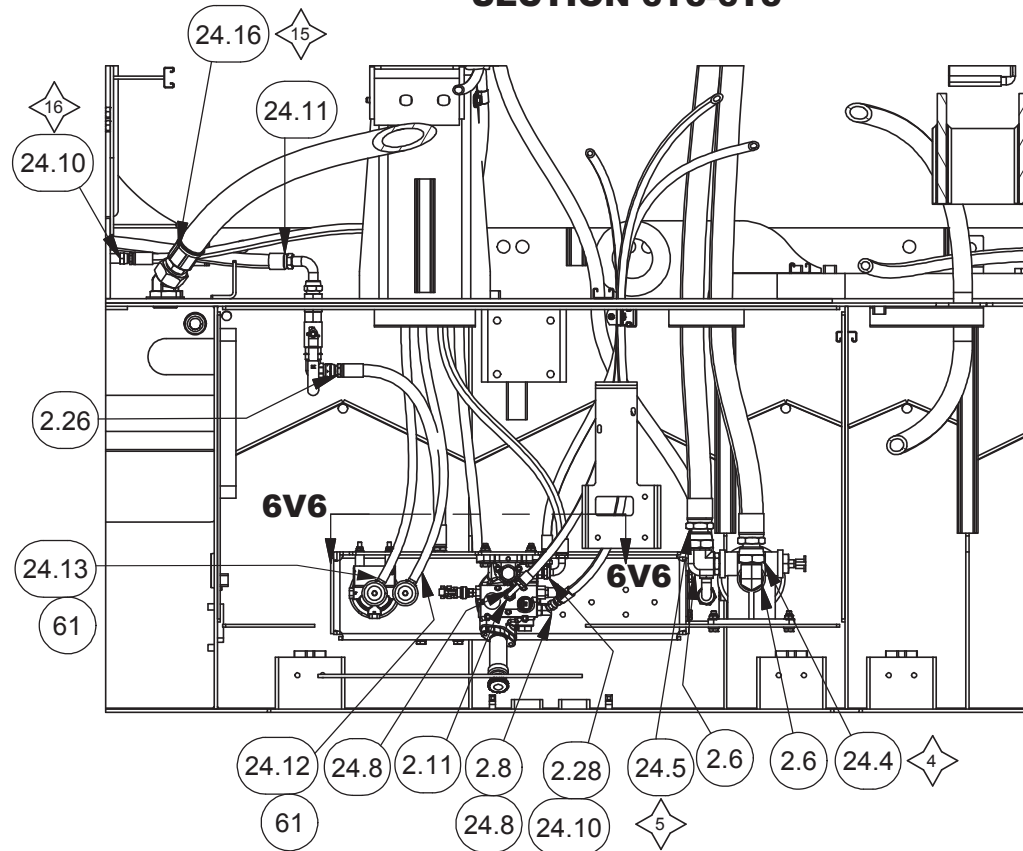
SEE SECTION 5L-5L FOR CONTINUATION OF HOSE ROUTING

PLUMBING CONTINUED IN AXLE INSTALLATION

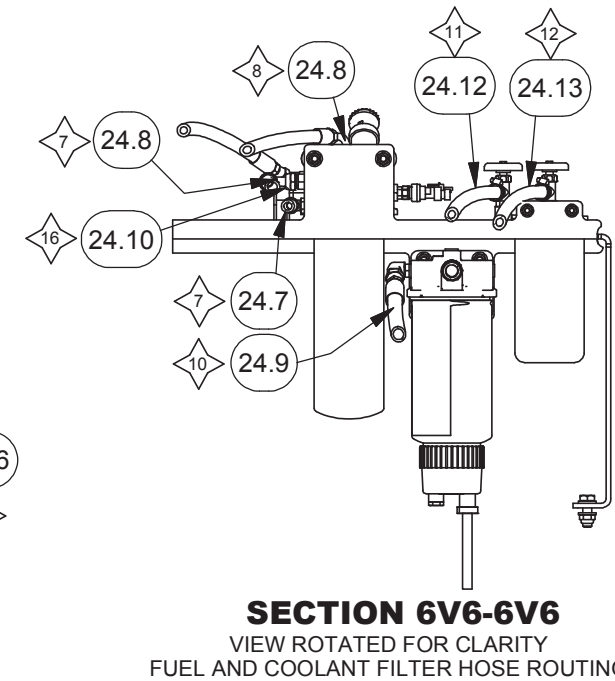
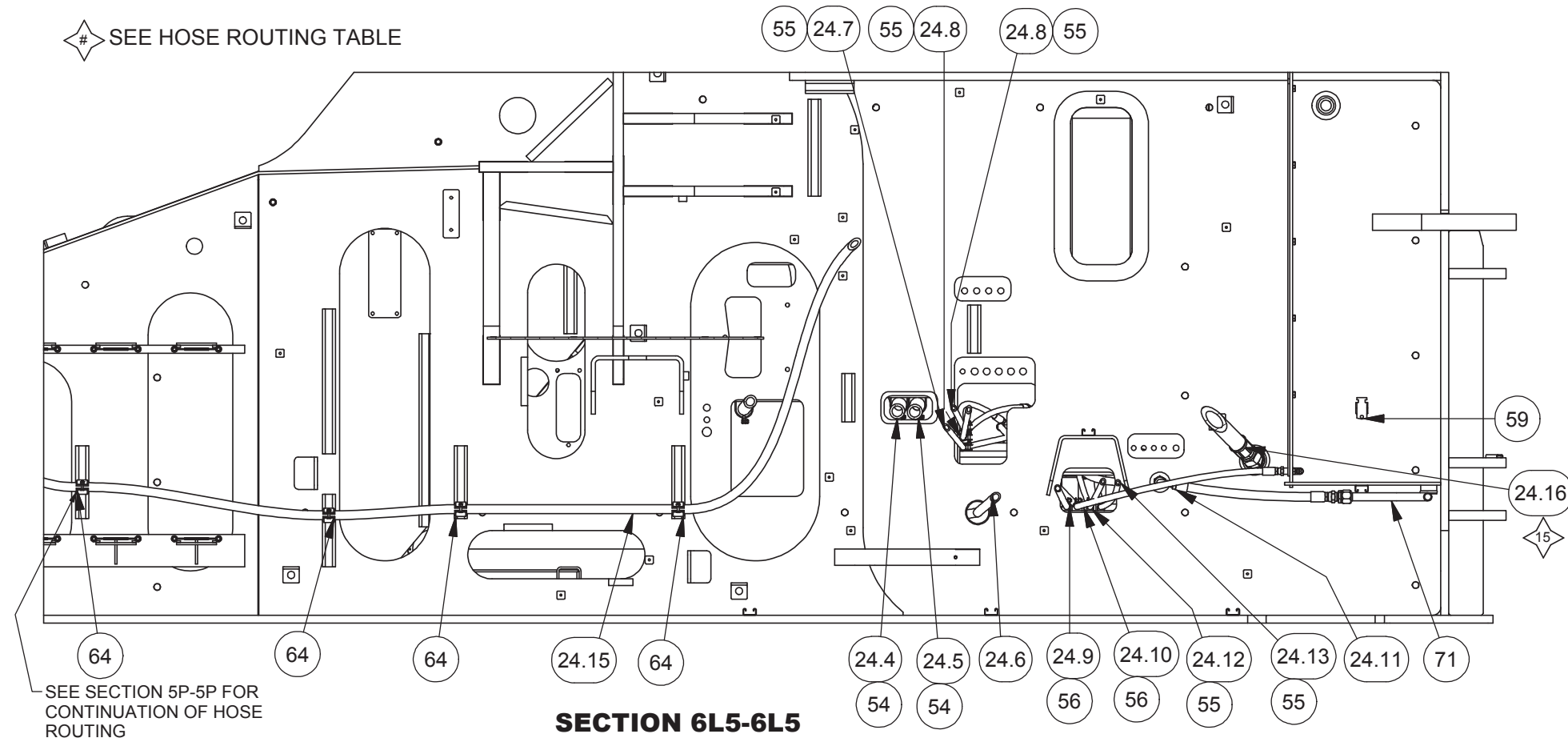
SEE HOSE ROUTING TABLE

D

SECTION 6T5-6T5



SEE HOSE ROUTING TABLE



D

& THE ROUTING TABLE DETAIL THE START AND END OF HOSE ROUTINGS. USE ROUTING TABLE WHEN INSTALLING ITEM 24 HOSE KIT.

ROUTING TABLE		
ROUTE NO.	FROM	TO
1	TOP ENGINE THERMOSTAT HOUSING VENT	FAN SHROUD BULKHEAD
2	TRANS FILL ASSEMBLY	TOP OF TRANSMISSION
3	ENGINE FILL ASSEMBLY	ENGINE OIL PAN
4	RH SERV BAY REMOTE ENGINE OIL FILTER	LOWER ENGINE OIL FILTER PORT
5	RH SERV BAY REMOTE ENGINE OIL FILTER	UPPER ENGINE OIL FILTER PORT
6	RH SERV BAY REMOTE ENGINE OIL DRAIN	ENGINE OIL PAN
7	RH SERV BAY SECONDARY FUEL FILTER	REAR ENGINE FUEL RAIL
8	RH SERV BAY SECONDARY FUEL FILTER	FRONT ENGINE FUEL RAIL
9	RH SERV BAY SECONDARY FUEL FILTER	ECM REAR PORT
10	RH SERV BAY PRIMARY FUEL FILTER	FUEL PUMP INLET
11	COOLANT FILTER	FRONT ENGINE COOLANT PORT
12	COOLANT FILTER	REAR ENGINE COOLANT PORT
13	RH SERV BAY ACCUM CHARGE MANIFOLD	FRONT PORT AUX PUMP OUTLET
14	CHASSIS BRAKE COOLING MANIFOLD	REAR PORT AUX PUMP OUTLET
15	HYD TANK SUCTION PORT	AUX PUMP INLET
16	RH SERV BAY SECONDARY FUEL FILTER	FAN SHROUD BULKHEAD
17	COLD SIDE COOLANT TUBE STANDOFF	FAN SHROUD BULKHEAD

