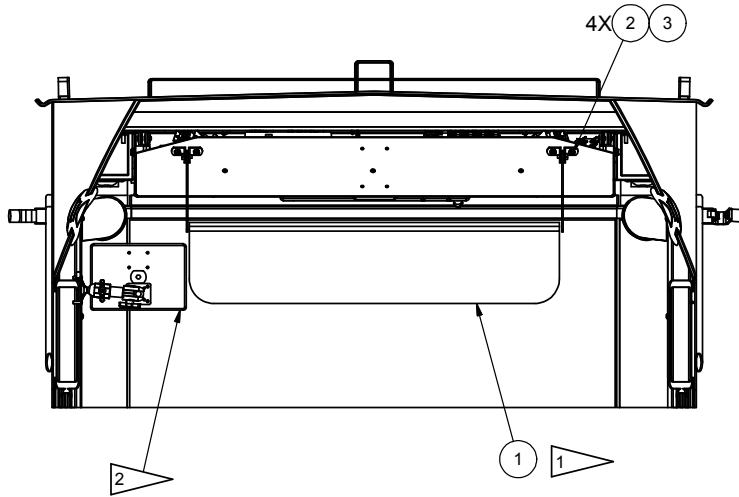
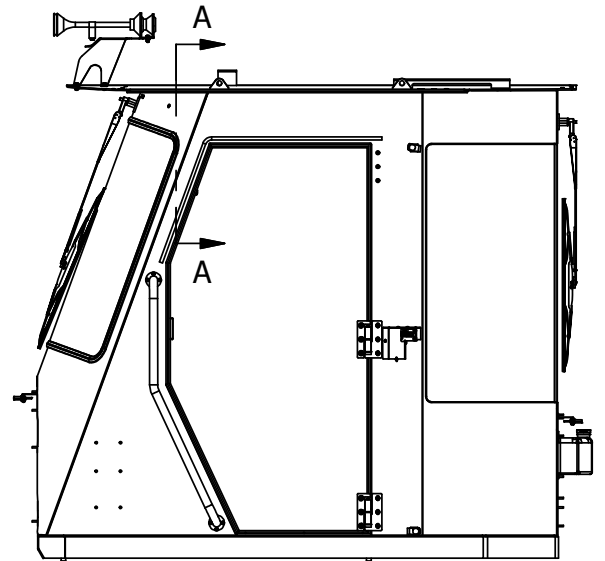


Sun Visor



SECTION A-A



SIDE VIEW

SOME COMPONENTS REMOVED FOR CLARITY

NOTE:

- 1 VISOR INSTALLS ON BACK OF OVERHEAD CONSOLE IN HOLES PROVIDED
- 2 ENSURE VISOR DOES NOT HIT CAMERA MONITOR THROUGH RANGE OF TRAVEL

Item	Part No.	Qty	Description	Item	Part No.	Qty	Description
	594258		Opt - Sun Visor				
1	231091	1	. Visor				
2	R13810990	4	. Capscrew				
3	R13811189	4	. Locknut				