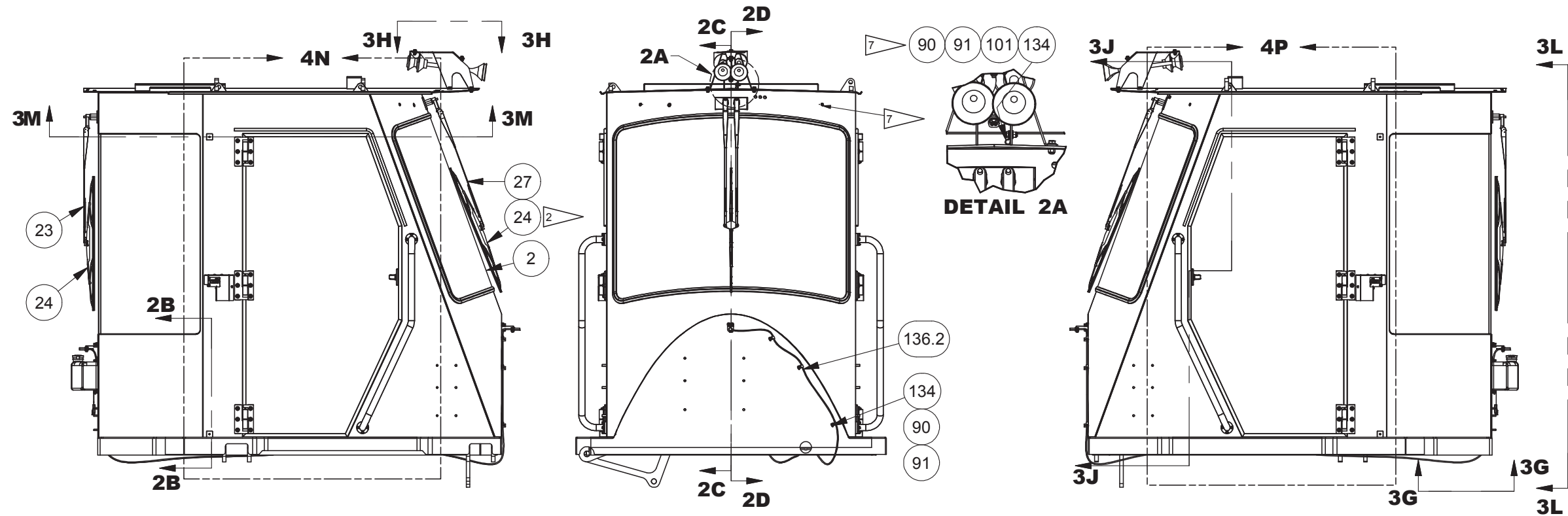


Cab

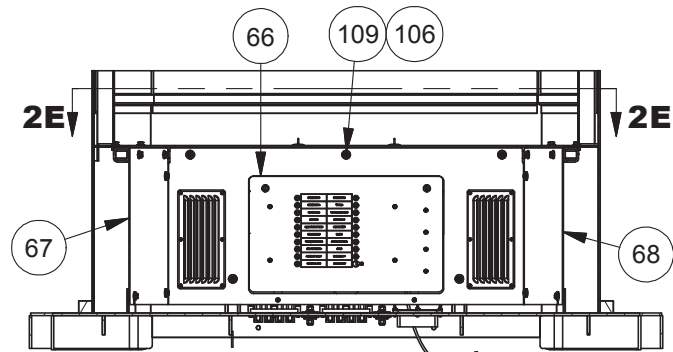
Cab & Cowl - Cab

Item	Part No.	Qty	Description	Item	Part No.	Qty	Description
594253 Cab Common Parts							
1	* 594718	1	. Console Overhead Parts	67	588153	1	. Plate, RH Lower Panel
2	**a 586385	1	. Window Installation	68	588152	1	. Plate, LH Lower Panel
3	596572	1	. Wire Loom - Cab	70	* 588138	1	. Panel Assembly, LH Front
8	590618	1	. Cover Plate	71	* 588137	1	. Panel Assembly, RH Front
9	590619	1	. Cover Plate	72	586597	1	. Cover Weldment
10	R10581	2	. Stud, Battery Feeder	73	258860	2	. Cam Latch Assembly
11	254962	1	. Connector, Ecm	81	*a 257710	1	. Wire Harness, Powerview Jumper
12	587033	2	. Shaft, Stand-Off	84	586815	2	. Plate, Vent
13	256319	2	. Receptacle	90	R13811189	24	. Locknut
14	258712	2	. Pin, Striker	91	221763W	29	. Washer
15	258713	2	. Guard, Striker	92	Y25G-0406	8	. Capscrew
16	259262	4	. Jam Nut	94	R13809543	2	. Locknut
17	259263	8	. Machine Screw	95	Y09G-(1024)08	2	. Capscrew
18	259264	8	. Nut, Esna	101	224120W	5	. Capscrew
19	296148W	8	. Capscrew	103	R13811034	36	. Capscrew
20	320152W	8	. Washer	105	221767W	44	. Hard Washer
21	587034	2	. Jam Nut	106	223428	23	. Flat Washer
22	590724	2	. Motor, Wiper	109	R13801791	23	. Capscrew
23	258773	1	. Arm Assembly, Wiper	112	258706	2	. Louver, Ball
24	258774	2	. Blade Assembly, Wiper	113	221754	12	. Capscrew
25	258434	4	. Spacer	114	234197	4	. Flat Washer
27	587119	1	. Arm Assembly, Wiper	117	238437	4	. Nut, Esna
31	249776	2	. Nozzle, Jet, Single	118	R13813167	4	. Machine Screw
35	* 586558	3	. Hinge Assembly	119	Y25G-0414	8	. Capscrew
36	* 586560	3	. Hinge Assembly	120	249395	24	. Capscrew
37	586583	12	. Pad, Hinge	126	Y17C-0616	8	. Capscrew
38	18720W	12	. Capscrew	129	**a 595622	1	. Installation, Insulation
40	2301055W	10'	. Vinyl Protective Trim	130	**a 588628	1	. Insulation Installation
41	258919	2	. Housing, Bearing	131	296418W	4	. Hard Washer
42	258920	2	. Lever, Clamp	134	R13803026	4	. Clip, Insul
43	258921	4	. Washer, Thrust	135	222761	1	. Sealer
44	258922	2	. Shaft, Flanged	136	594720	1	. Kit, Hose
45	258923	2	. Latch, LH Rotary	137	593637	1	. Horn, Dual Trumpet
47	258925	1	. Spring, Ext	138	590865	1	. Remote Monitor
48	258926	4	. Clevis	139	Y73G-(1024)08	4	. Capscrew
49	258928	1	. Stud	141	*a 242601	30	. Cable Tie
50	586559	2	. Plate, Arm	143	592519	2	. Wire Harness
51	593626	1	. Latch Weldment, Holdback	144	*a 593346	30	. Mount Blk
52	593340	1	. Plate, RH Holdback Cover	145	593629	1	. Stud
53	593628	1	. Plate, LH Cover	146	241826	8	. Receptacle, Wedgelock
54	593339	1	. Holdback Latch Weldment, RH	147	593658	1	. Spring, Ext
55	569247	2	. Plate, Mounting	148	587593	1	. Bracket
56	R6515575	2	. Hose Clamp	149	R13811013	6	. Capscrew
57	591615	2	. Bottle, Washer	150	R13811190	6	. Locknut
58	215774	2	. Mirror, Convex	151	R13802914	12	. Hard Washer
59	526939	2	. Bracket				
60	223146	2	. Machine Screw				
66	* 592759	1	. Panel Assembly, Circuit Breaker				

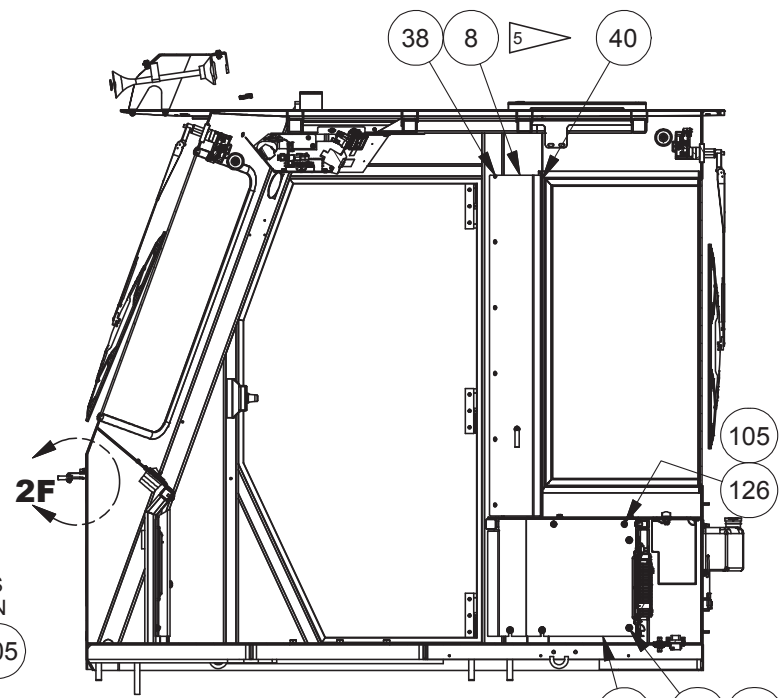
* See Separate Coverage
*a Not Shown



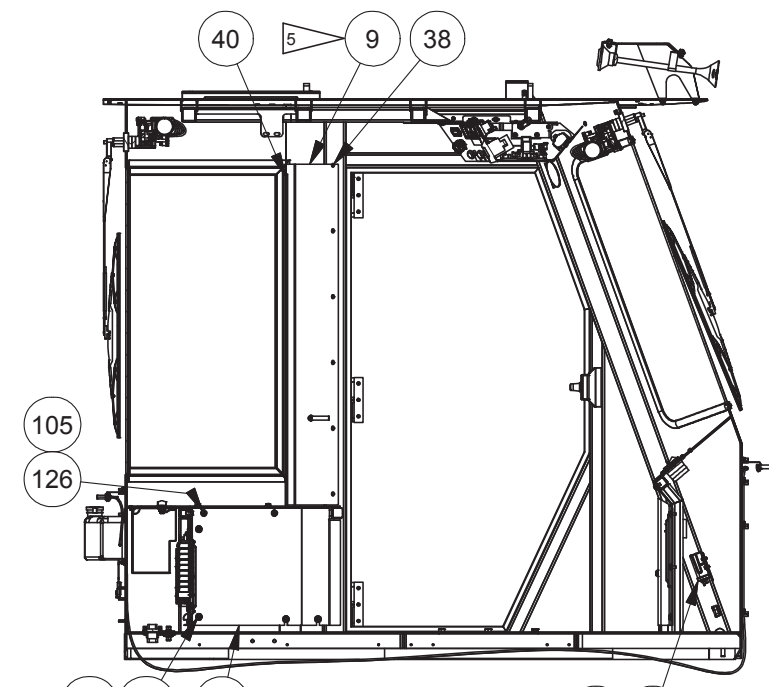
DETAIL 2A



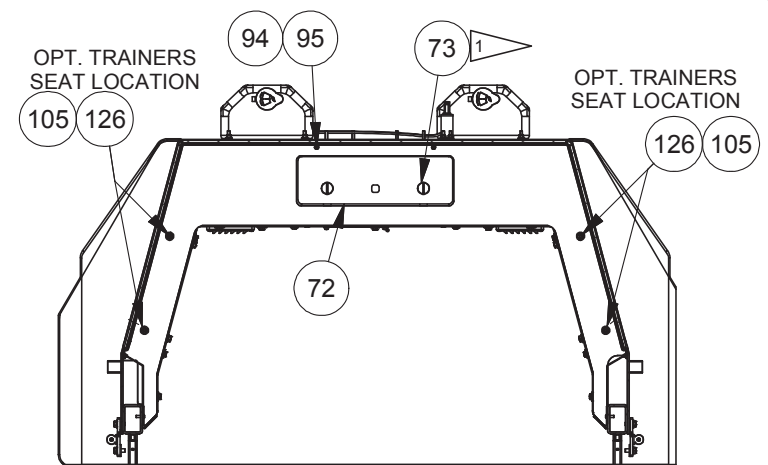
SECTION 2B-2B



SECTION 2C-2C



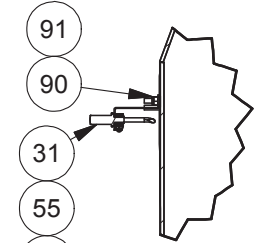
SECTION 2D-2D



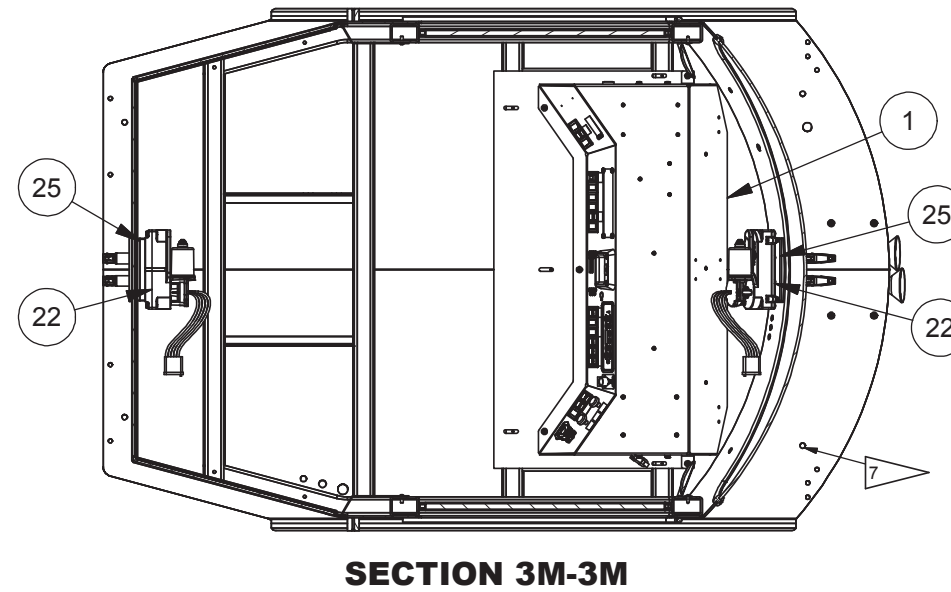
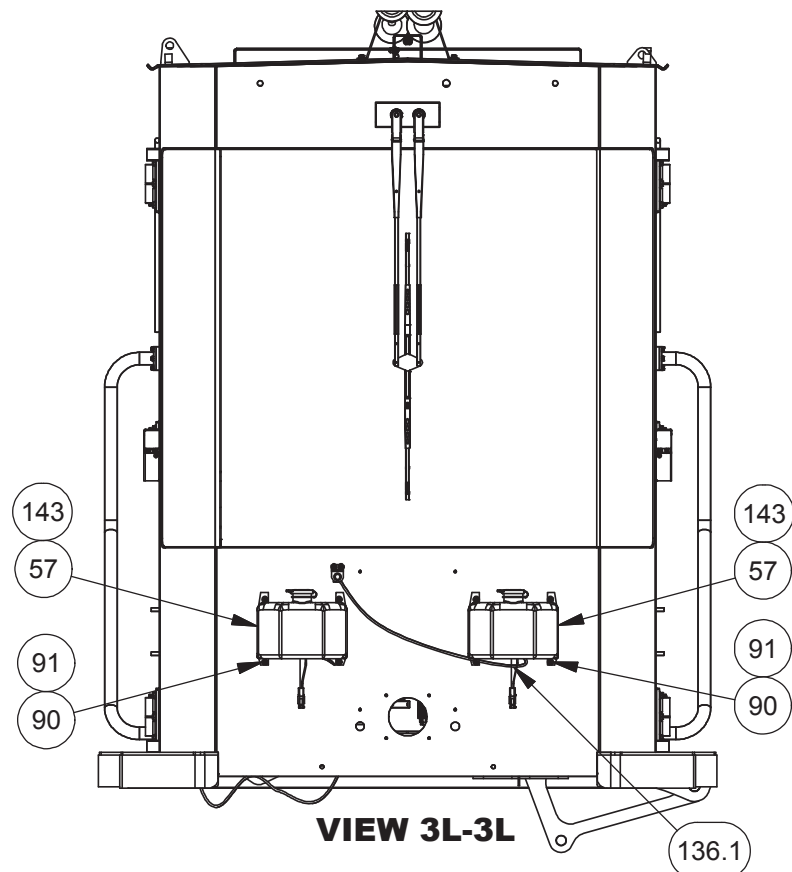
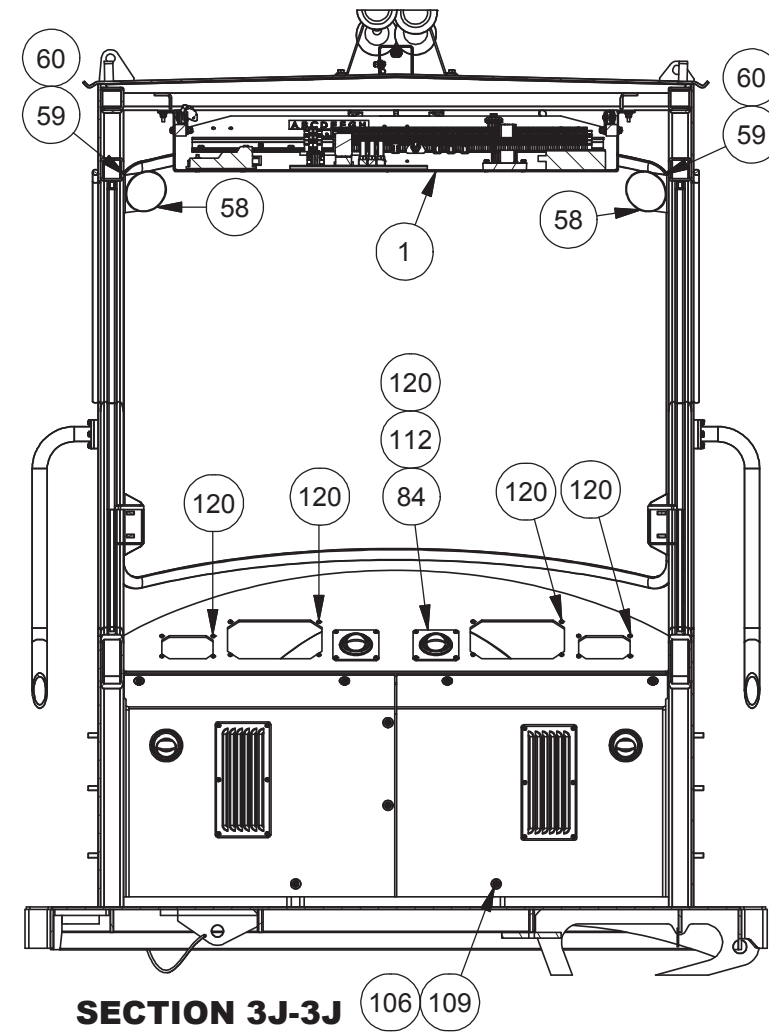
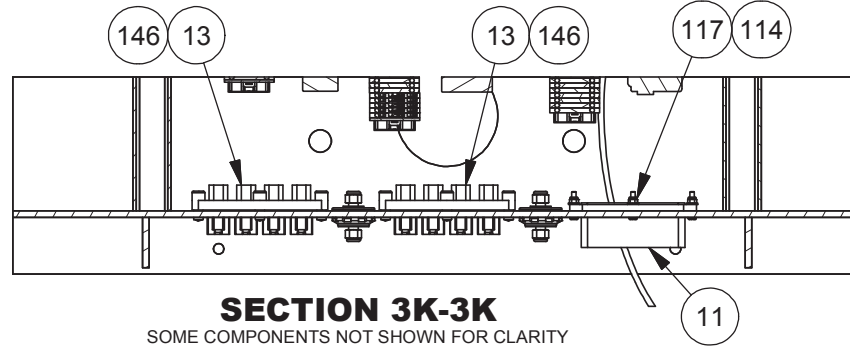
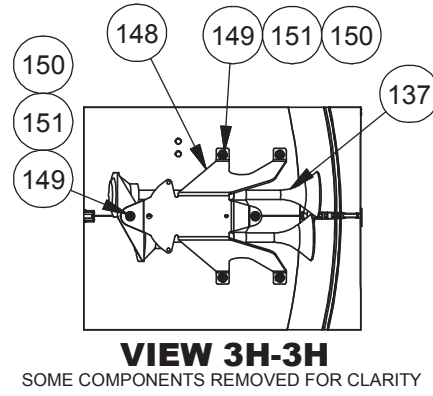
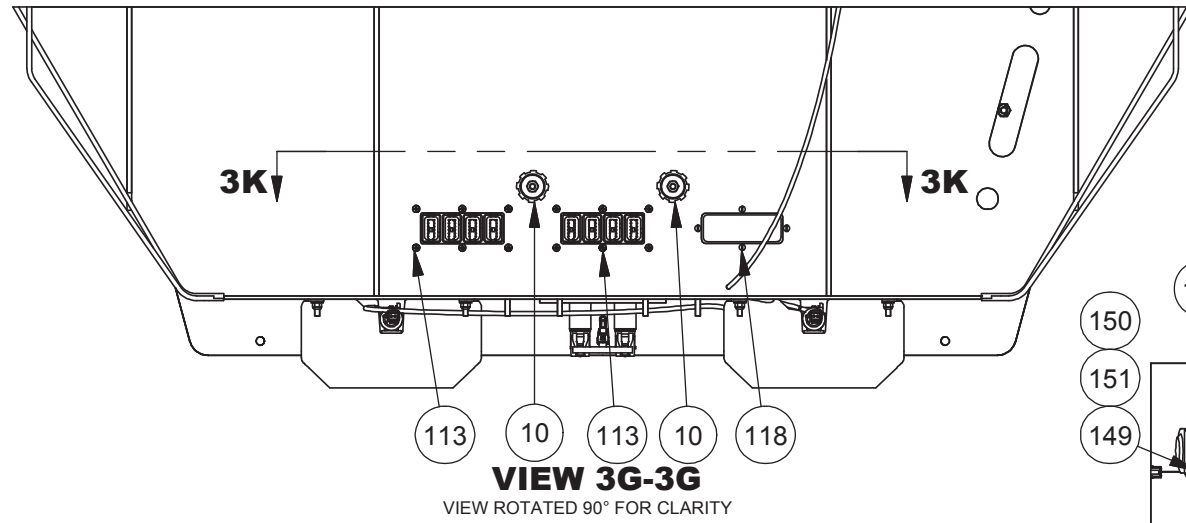
SECTION 2E-2E
SOME COMPONENTS NOT SHOWN FOR CLARITY

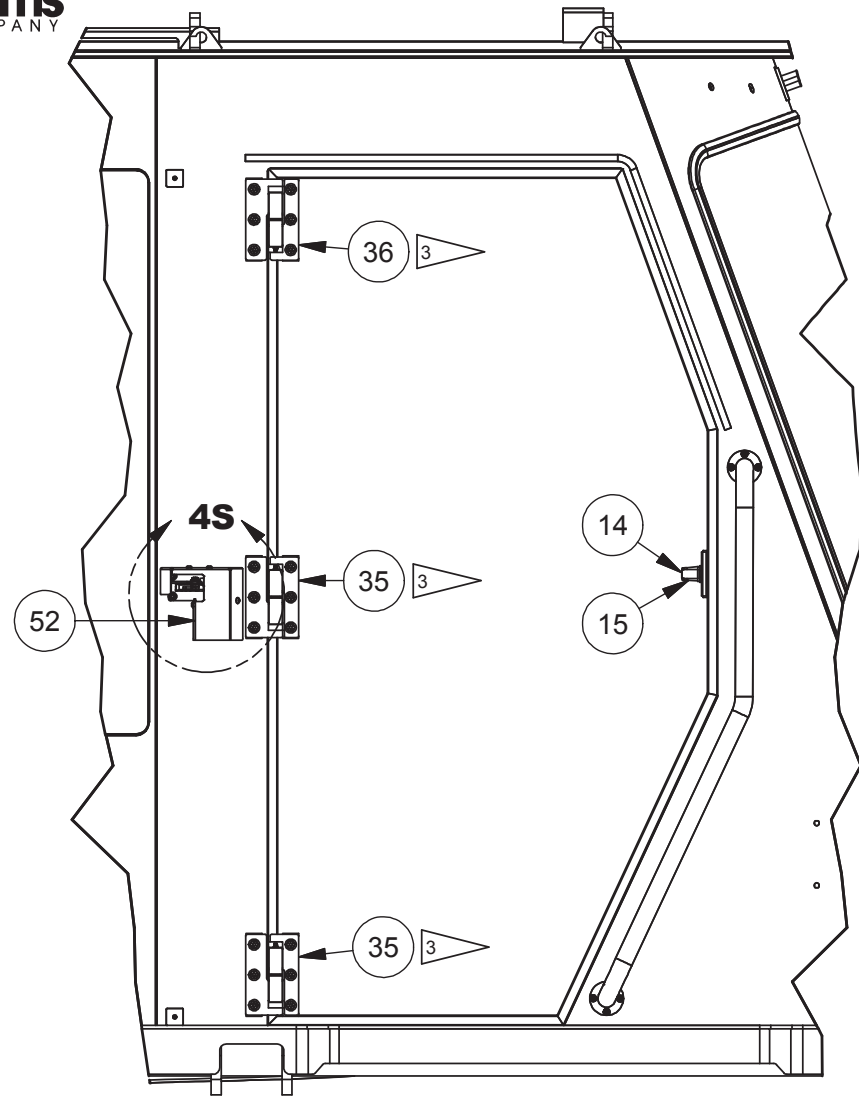
OPT. TRAINERS
SEAT LOCATION

OPT. TRAINERS
SEAT LOCATION

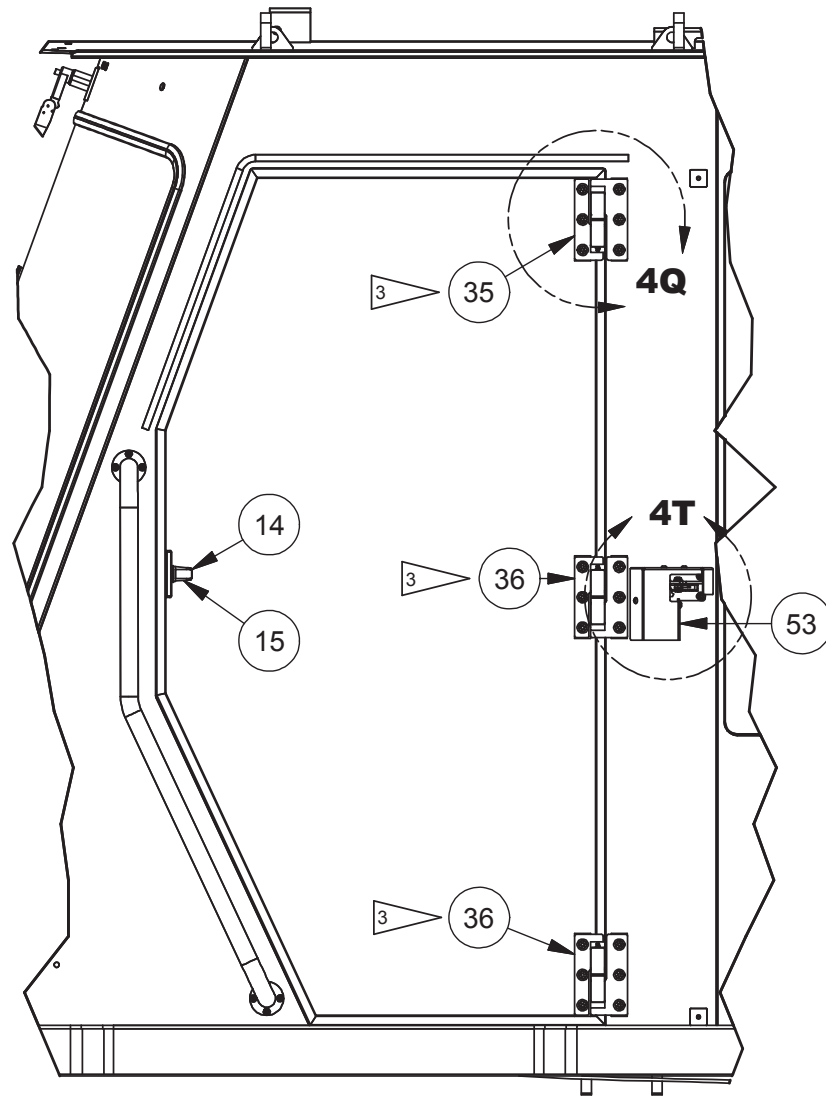


DETAIL 2F
TYP FRONT & REAR WINDOW

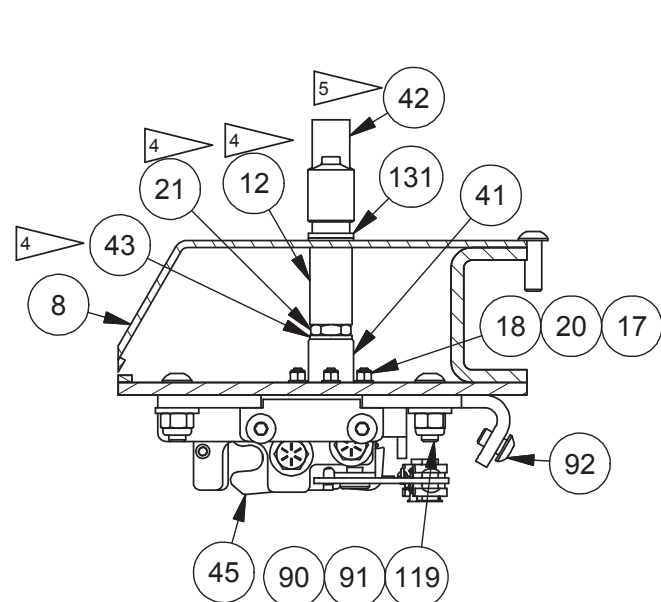
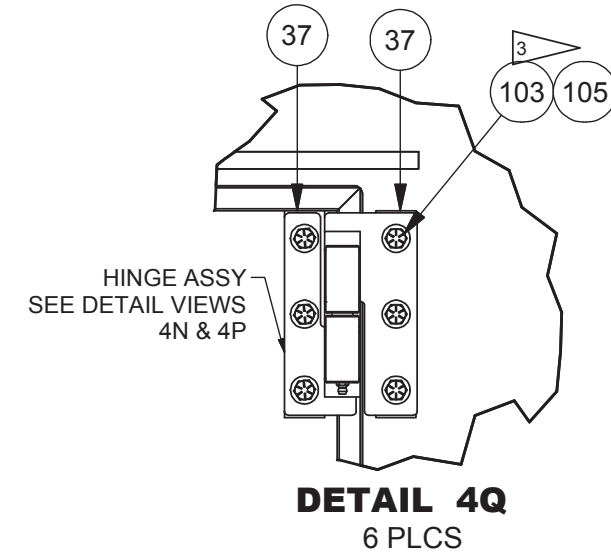




DETAIL 4N

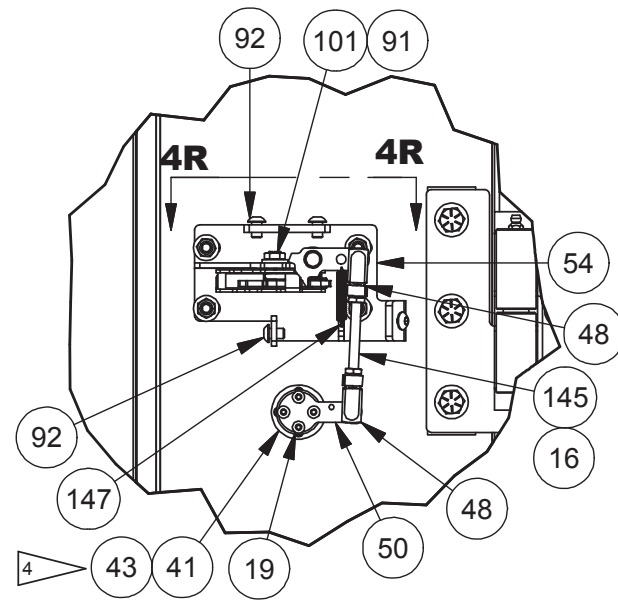


DETAIL 4P



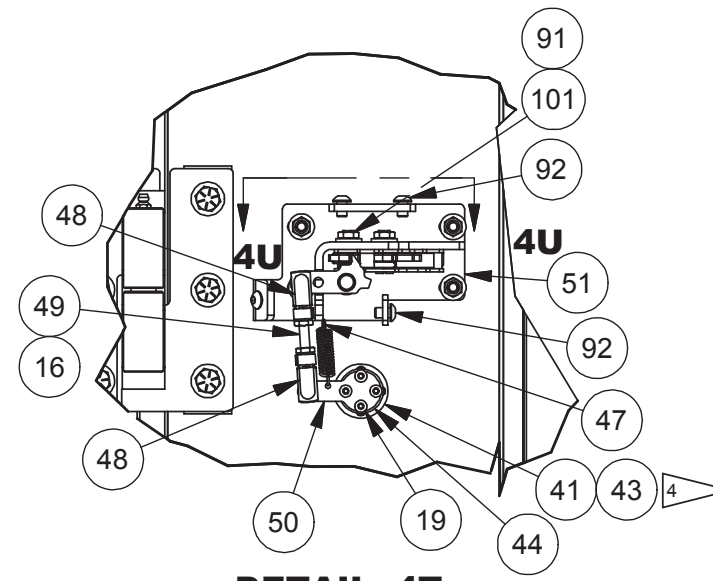
SECTION 4R-4R

SOME COMPONENTS NOT SHOWN FOR CLARITY



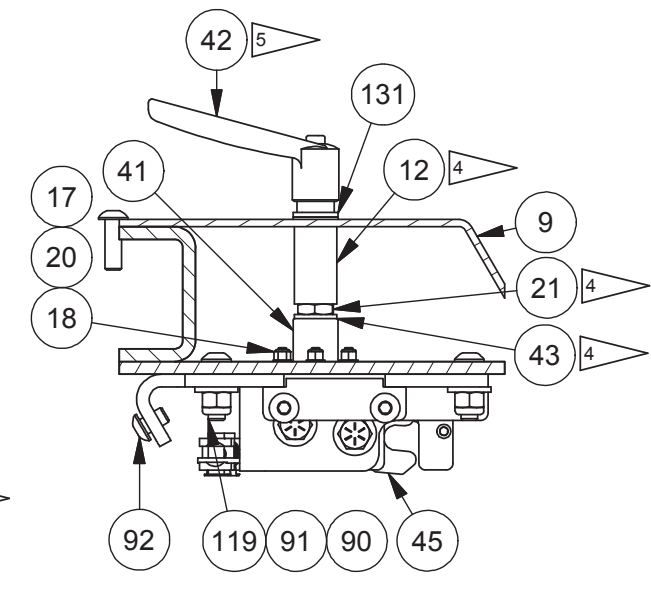
DETAIL 4S

SOME COMPONENTS NOT SHOWN FOR CLARITY



DETAIL 4T

SOME COMPONENTS NOT SHOWN FOR CLARITY



SECTION 4U-4U

SOME COMPONENTS NOT SHOWN FOR CLARITY