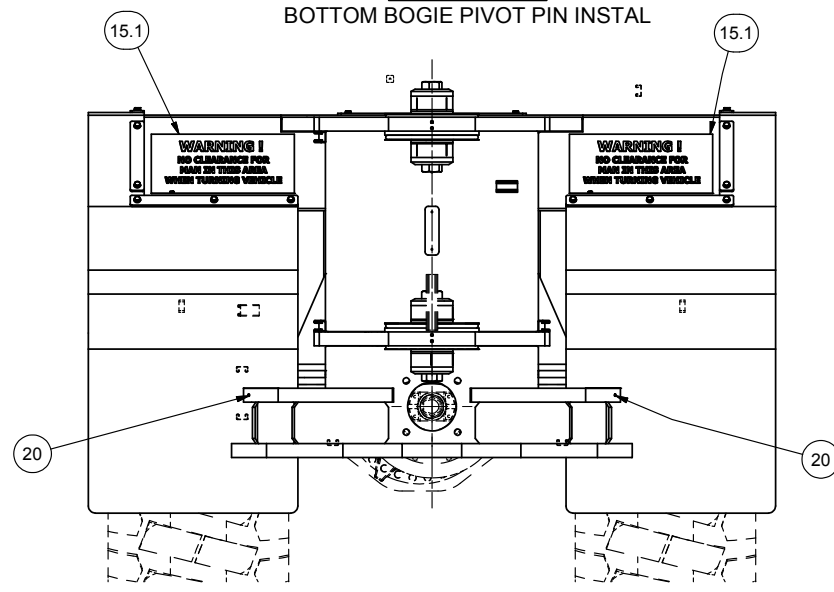
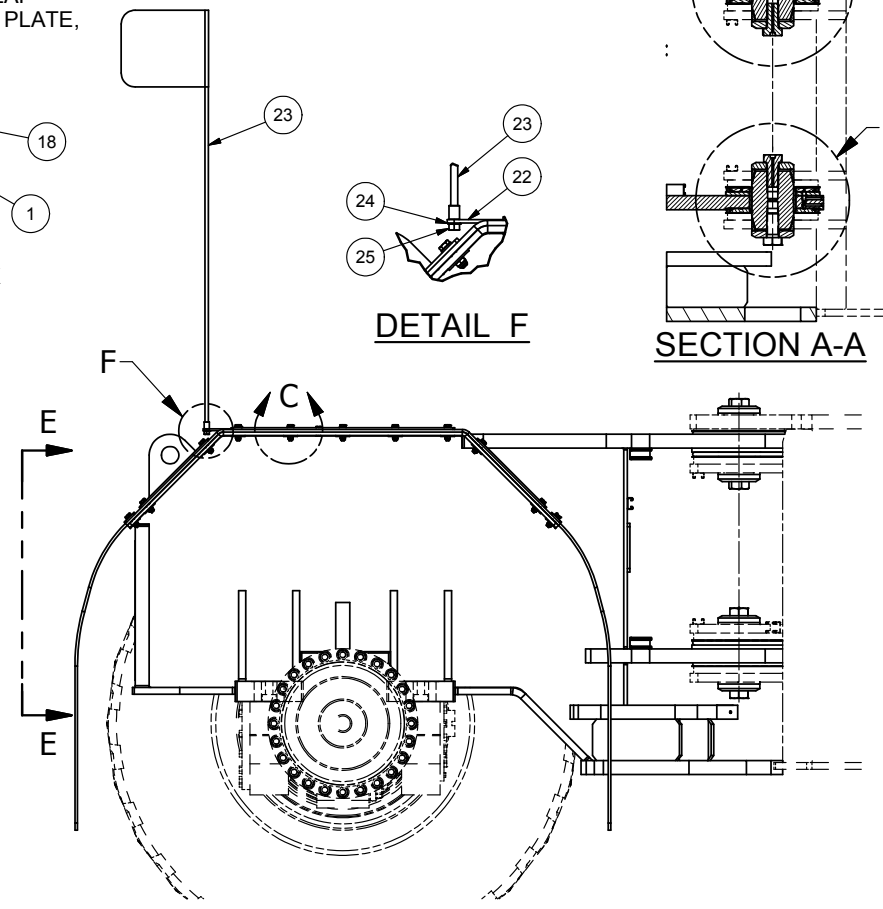
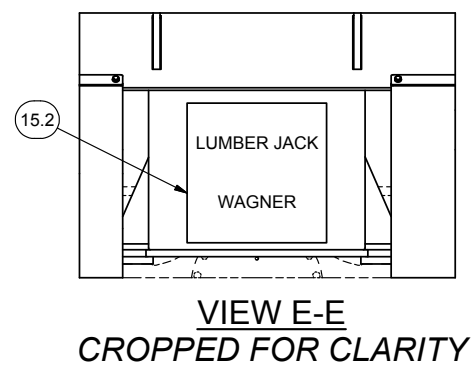
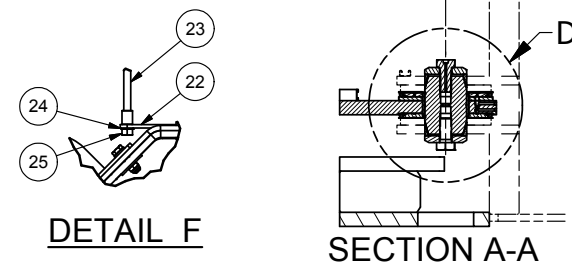
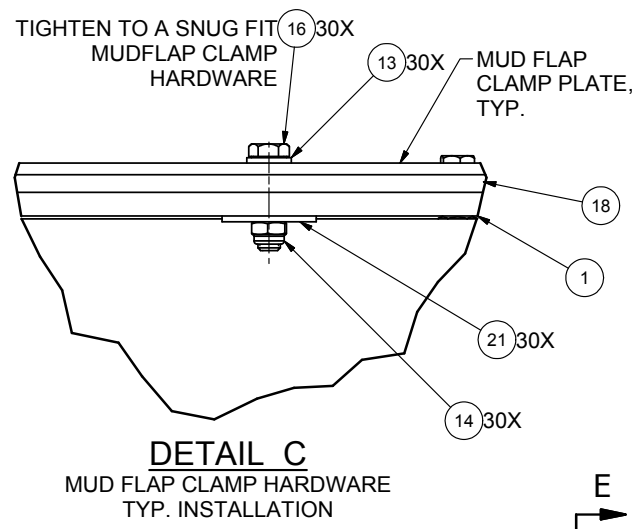
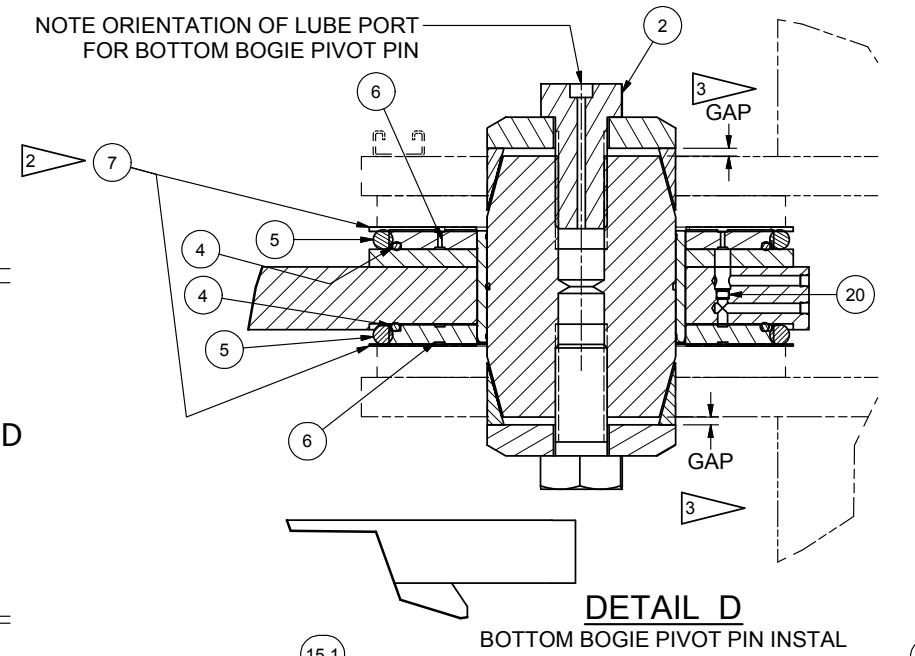
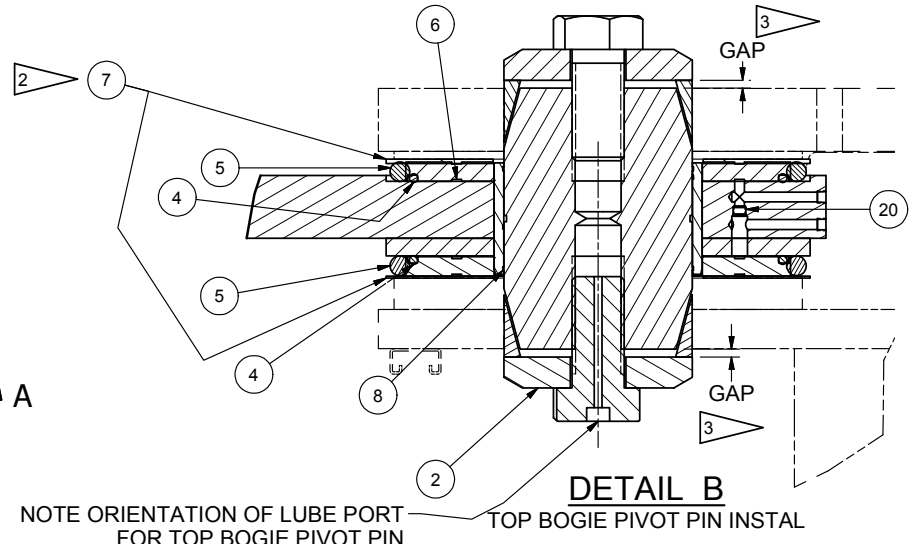
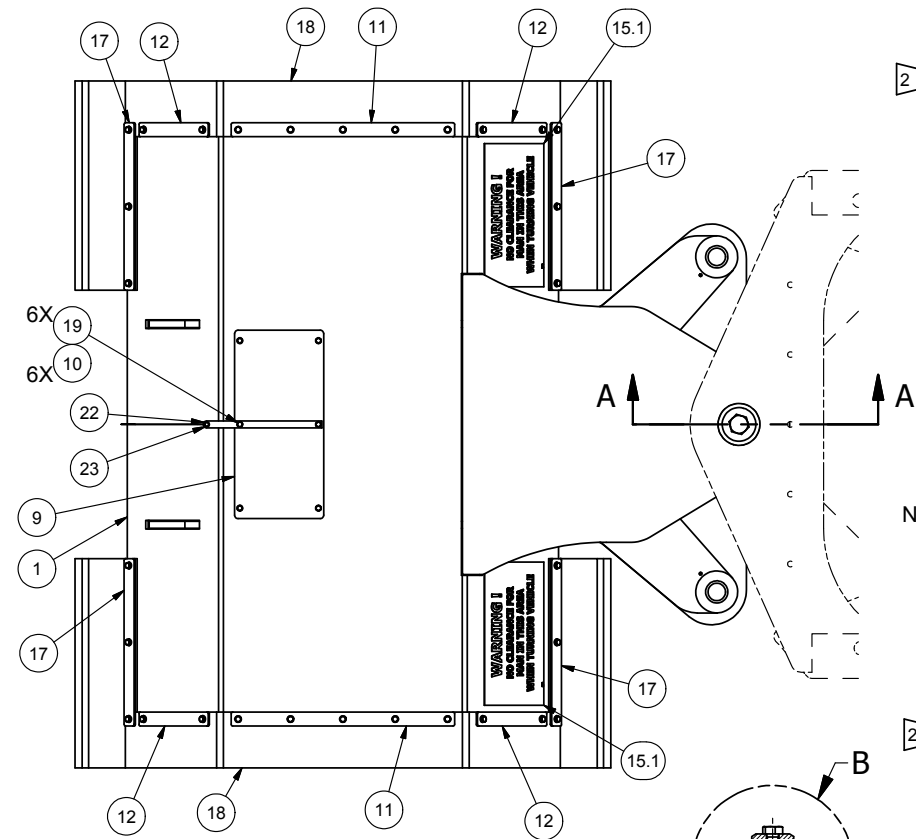


---

Installation, Bogie Components

## Installation, Bogie Components

Item	Part No.	Qty	Description	Item	Part No.	Qty	Description
	<b>594248</b>		<b>Installation, Bogie Components</b>				
1	594730	1	. Weldment, Bogie	15	594875	1	. Finis Decals, Bogie
2	596131	1	. Pivot Pin	15.1	545430	2	. . Decal, Warning No Clearance
3	595119	2	. Plate, Shim - Bogie Pin	15.2	593905	1	. . Decal, Logger W/Log
4	203498	4	. O-Ring	16	R13717	30	. Capscrew
5	550329	4	. Seal, Dirt	17	594807	4	. Plate, Clamp
6	580156	4	. Washer, Thrust	18	594815	2	. Mud Flap, Rear
7	595118	2	. Plate, Shim - Bogie Pin	19	R13811210	6	. Capscrew
8	563163	2	. Bushing	20	R13801760	4	. Fitting
9	595054	1	. Plate, Ballast Cover	21	2305715W	30	. Washer
10	296420W	6	. Hard Washer	22	596336	1	. Plate, Mount
11	594805	2	. Plate, Clamp	23	596339	1	. Warning Whip, Orange
12	594806	4	. Plate, Clamp	24	200604	1	. Lockwasher
13	296422W	30	. Hard Washer	25	221712W	1	. Hex Nut
14	302402W	30	. Locknut				



**NOTES:**  
1) TORQUE HARDWARE PER 80-1057 (SECTION 10 IN SERVICE MANUAL)

2 SHIM AS REQUIRED SO THE CLEARANCE DOES NOT EXCEED 1/16".

3 INSTALL PIN, GAP REQUIRED TOP & BOTTOM SEE INSTALLATION INSTRUCTIONS 80-1124.