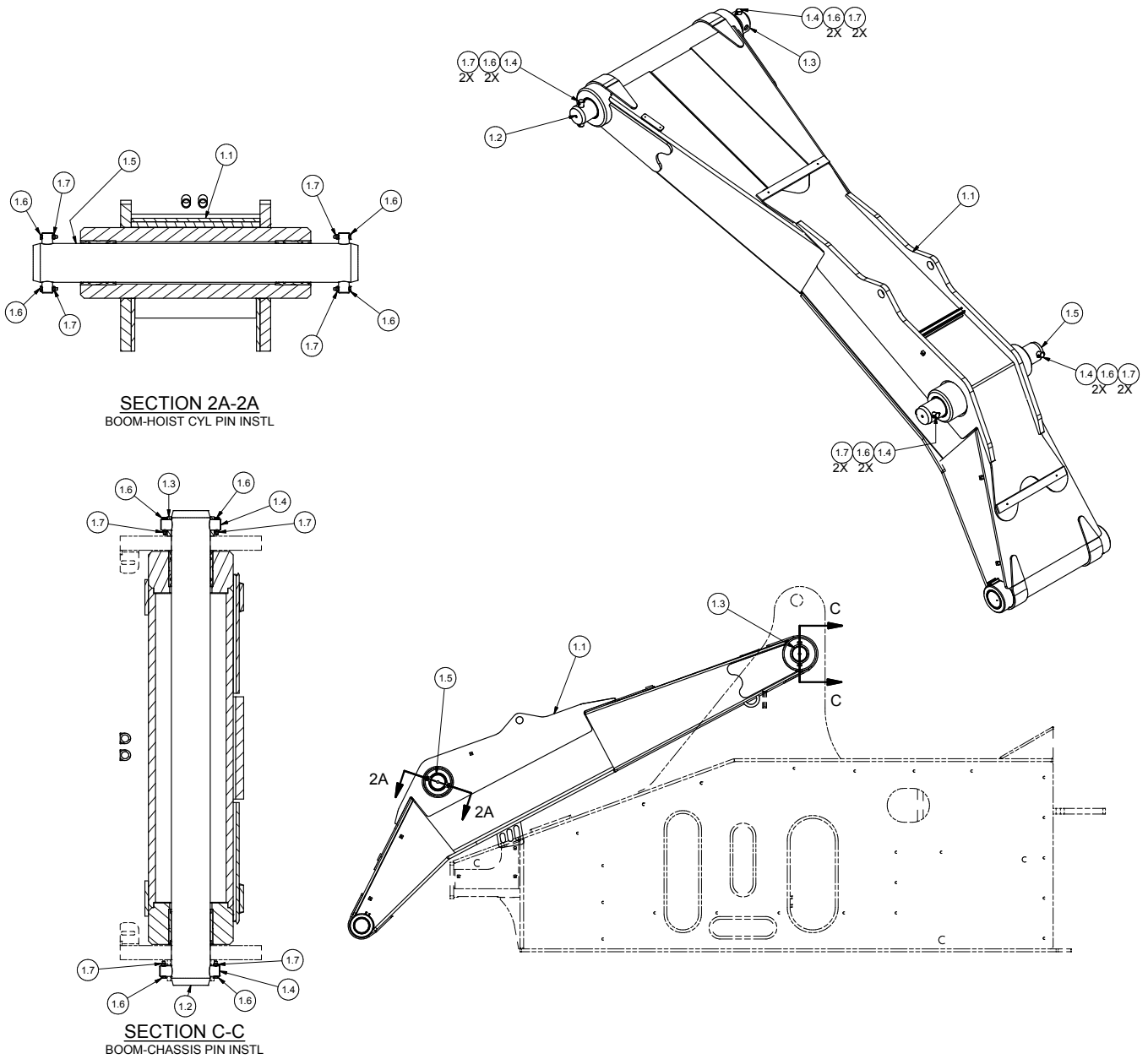


Installation, Boom Components



Item	Part No.	Qty	Description	Item	Part No.	Qty	Description
594246 Installation - Boom Components							
1.1	590243	1	. Boom Weldment				
1.2	591625	1	. Pin				
1.3	563243	1	. Lock Collar				
1.4	563280	4	. Pin				
1.5	592277	1	. Pin				
1.6	Y19C-M1055	8	. Capscrew				
1.7	302401W	8	. Locknut				

INTENTIONALLY BLANK