

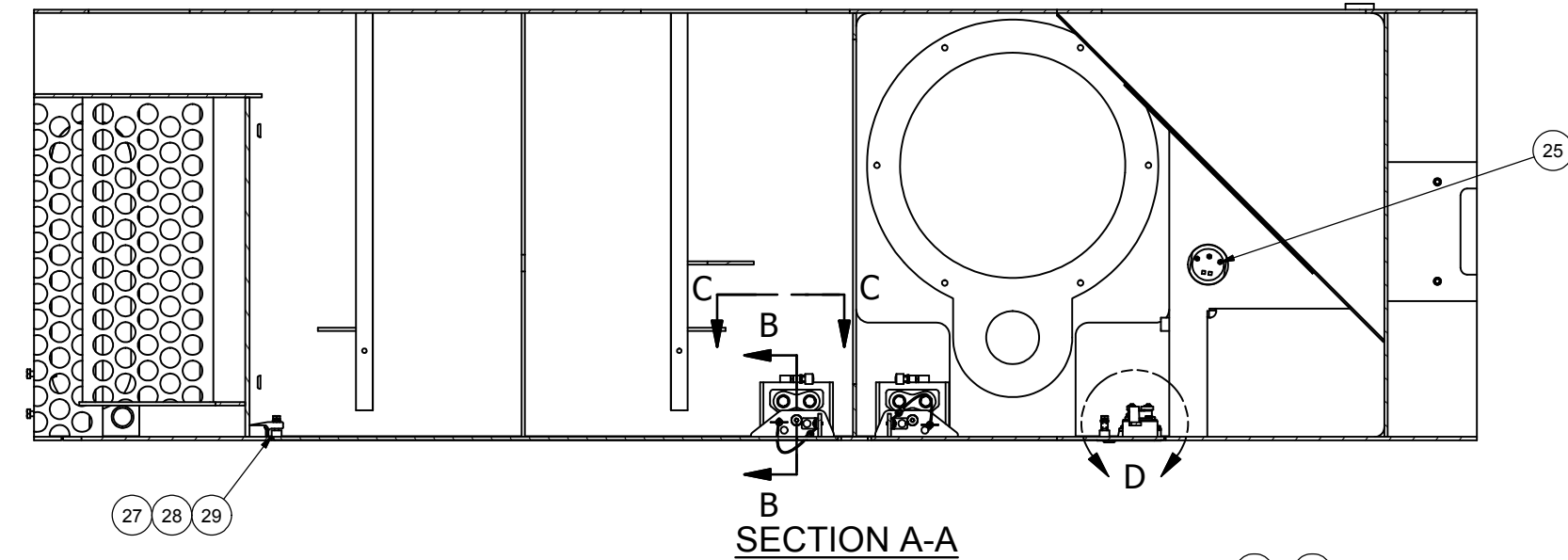
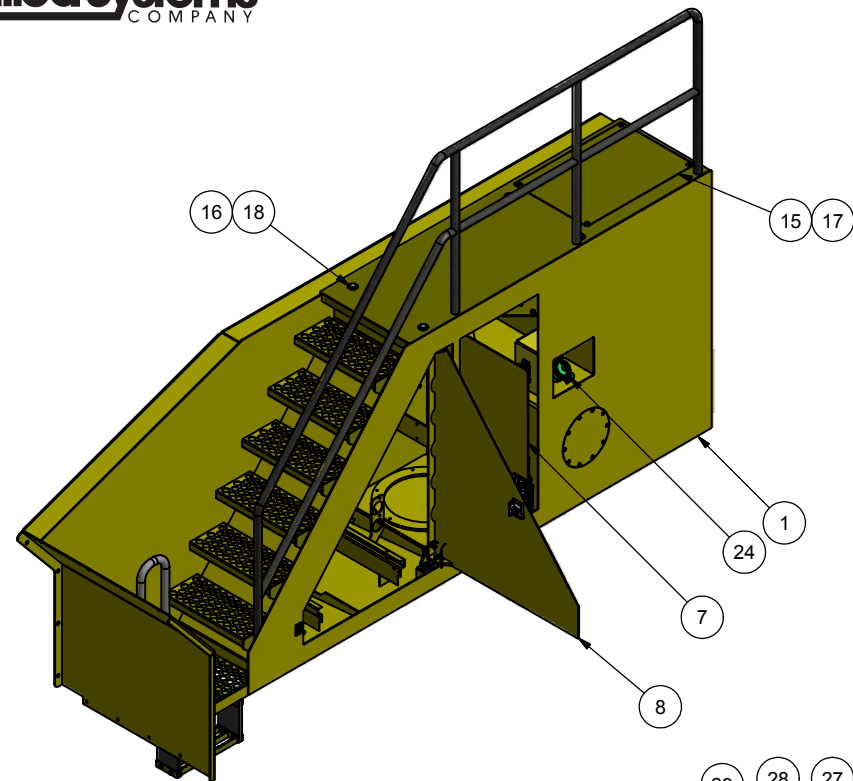
---

Service Bay Assembly - LH

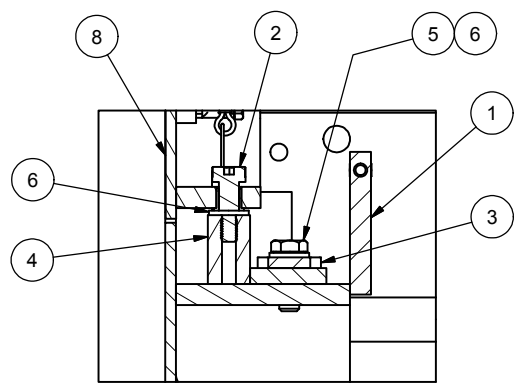
## Service Bay Assembly - LH

Item	Part No.	Qty	Description	Item	Part No.	Qty	Description
	<b>594193</b>		<b>Service Bay Assembly - LH</b>				
1	* 594195	1	. Service Bay, LH	15	594943	1	. Plate, Exhaust Cover
2	591711	4	. Bolt, Shoulder	16	302406W	4	. Locknut
3	590826	4	. Plate, Washer	17	296172W	4	. Capscrew
4	590815	4	. Door Hinge	18	Y19C-M2450	4	. Capscrew
5	293646W	8	. Capscrew	19	595172	1	. Plate, Exhaust Cover
6	296422W	11	. Washer	20	592034	1	. Coupling, Reducer
7	* 594903	1	. Assembly, Door	21	236805	6	. Capscrew
8	* 594942	1	. Assembly, Door	22	593922	1	. Pipe Nipple W/Baffle
9	594938	2	. Belt, Support	23	253085	1	. Breather
10	594937	1	. Step	24	587278	1	. Fill, Fuel Tank
11	594935	4	. Plate, Clamp	25	591792	1	. Sending Unit, Fuel
12	302401W	8	. Locknut	27	251199	5	. Capscrew
13	296420W	22	. Washer	28	587034	5	. Jam Nut
14	R13811213	8	. Capscrew	29	592532	5	. Bumper, Threaded

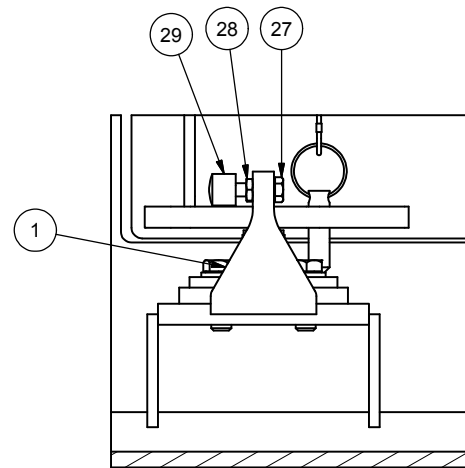
\* See Separate Coverage



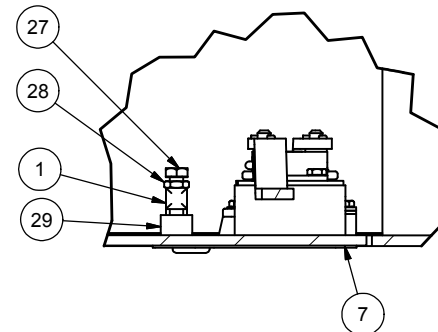
SEE DETAIL G  
FOR INSTALLATION  
INSTRUCTIONS



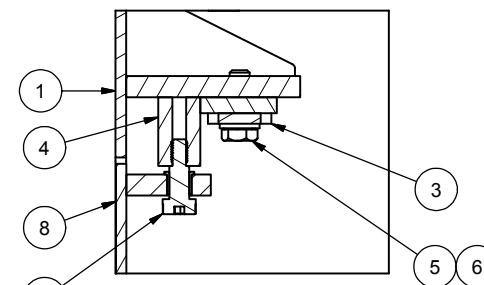
**SECTION B-B**  
TYP FOR ALL BOTTOM DOOR HINGE POINTS



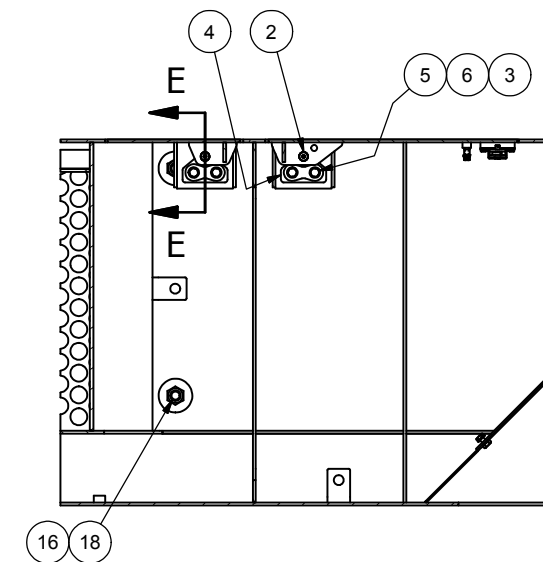
**SECTION C-C**  
TYP FOR ALL BOTTOM DOOR HINGE POINTS  
ADJUST ITEM 28 TO STOP DOOR WHEN OPENING  
PRIOR TO INTERFERING WITH ADJACENT DOOR



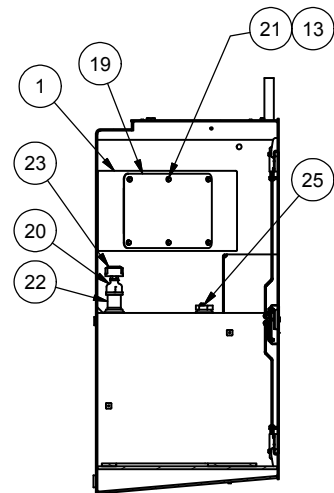
**DETAIL D**  
TYP TOP AND BOTTOM. ADJUST ITEM 28  
TO ALLOW DOORS TO BE LATCHED TIGHT  
WHEN CLOSED



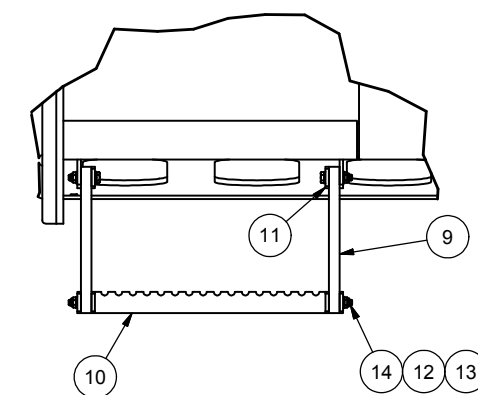
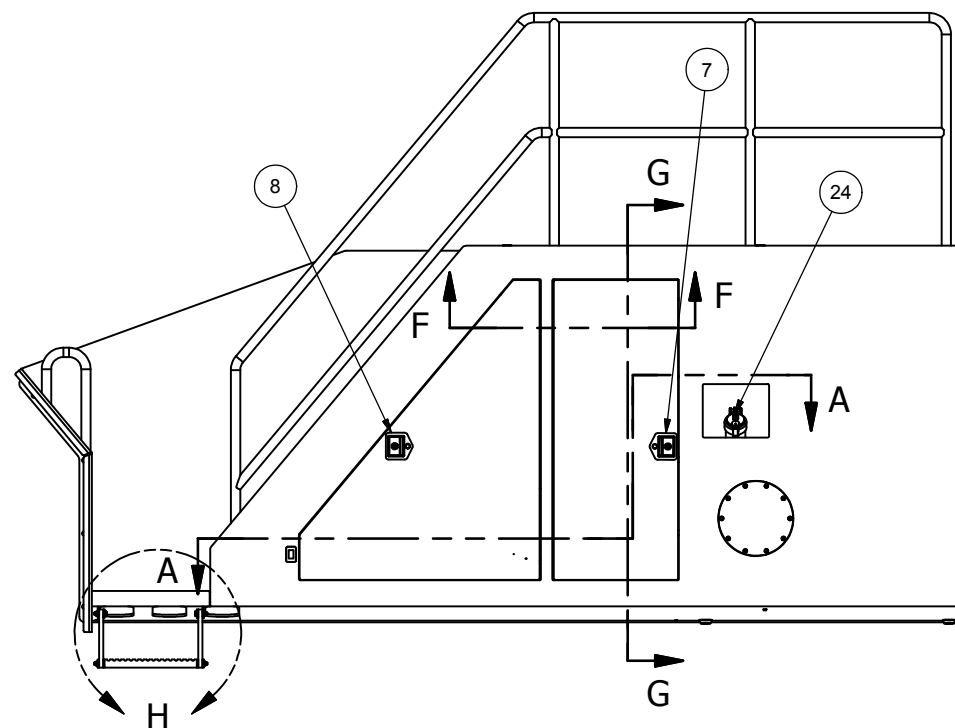
**SECTION E-E**  
TYP FOR ALL TOP DOOR HINGE POINTS



**SECTION F-F**



**SECTION G-G**



**DETAIL H**