

---

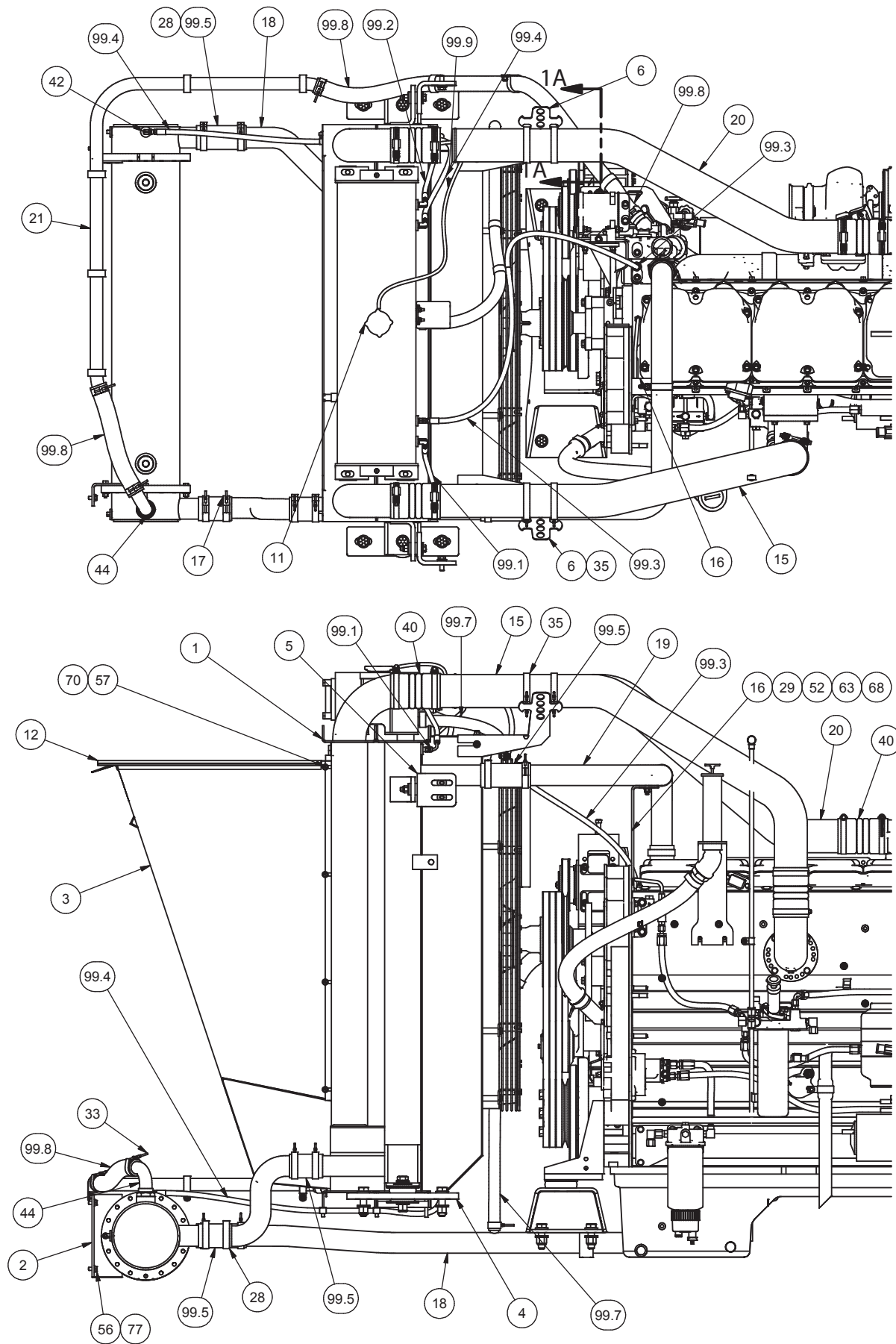
Radiator Installation

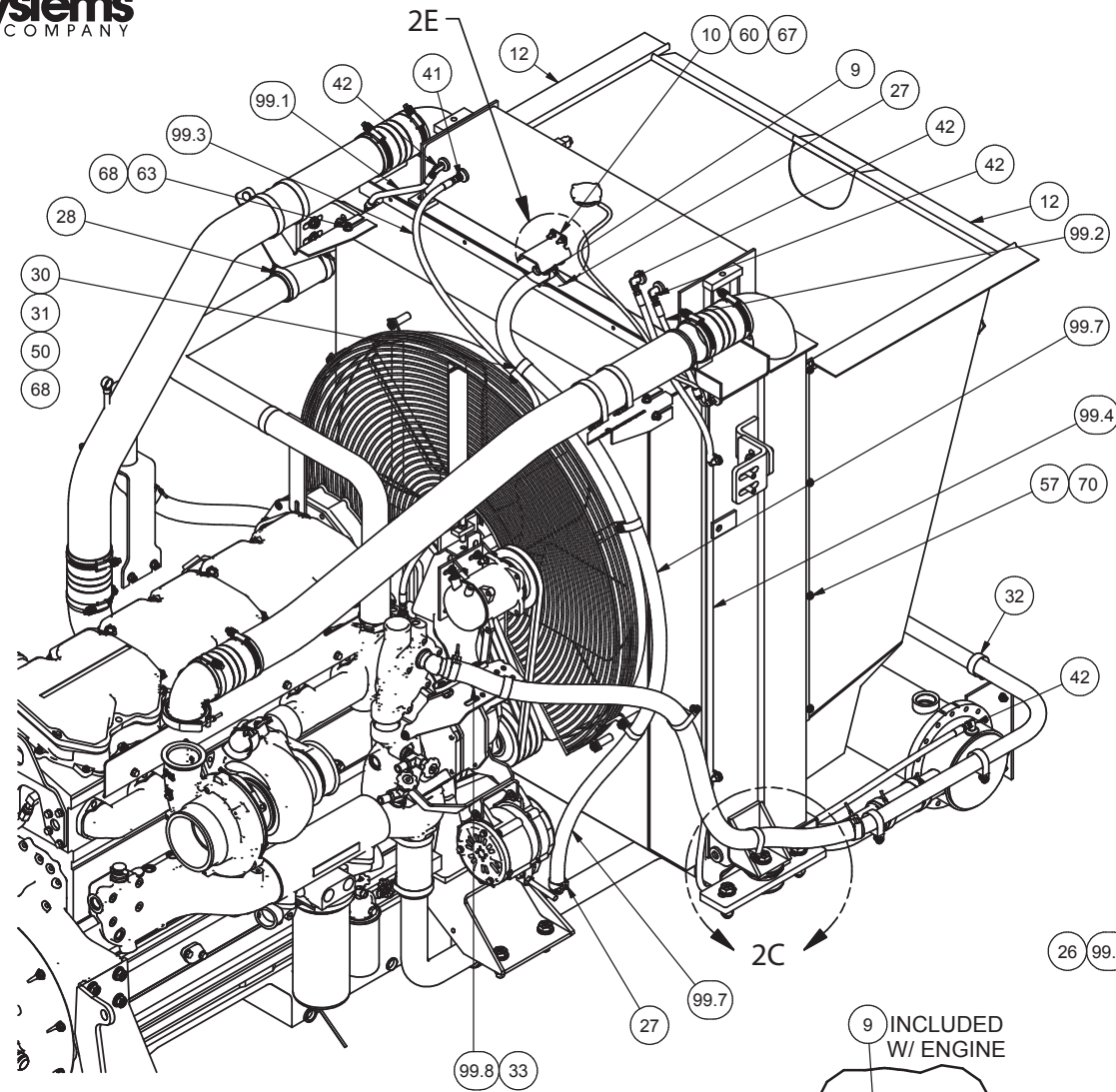
## Radiator Installation

Item	Part No.	Qty	Description	Item	Part No.	Qty	Description
	<b>594156</b>		<b>Radiator Installation</b>				
1	*a 594186	1	. Radiator/CAC Assembly	44	R573585	1	. Fitting
2	*a 249984	1	. Cooler, Transmission	50	16805W	1	. Capscrew
3	589203	1	. Air Scoop Weldment	51	R13811080	2	. Capscrew
4	594215	2	. Plate, Rad Mount	52	16828W	2	. Capscrew
5	594199	2	. Bracket, Upper	53	221664W	2	. Capscrew
6	594362	2	. Bracket, Support	54	219975	4	. Capscrew
8	224222	2	. Vibration Dampener	55	177192W	4	. Capscrew
9	246916	0	. Sensor, Coolant Level	56	162572W	4	. Capscrew
10	582841	1	. Plate, Guard	57	18497W	8	. Capscrew
11	R12968265	1	. Cap, Radiator	60	R13811189	2	. Locknut
12	252047	4'	. Trim, Flap Seal	61	R13811196	6	. Locknut
15	594352	1	. Tube, Outlet	62	R13811193	2	. Locknut
16	594361	1	. Plate, Support	63	R13811191	18	. Locknut
17	586870	1	. Tube	67	221763W	2	. Washer
18	594353	1	. Tube, Lower Rad	68	221767W	25	. Hard Washer
19	595007	1	. Tube, Upper Rad	69	578361	4	. Flat Washer
20	594351	1	. Tube, Inlet	70	R13802914	8	. Hard Washer
21	594432	1	. Tube, TOC Bypass	71	221771W	4	. Washer
25	243489	8	. Clamp	72	221777W	12	. Washer
26	225370	2	. T-Bolt Clamp	73	R1929619	6	. Washer
27	R13809931	2	. T-Bolt Clamp	74	239519	4	. Flat Washer
28	216042	10	. T-Bolt Clamp	75	594219	2	. Flat Washer
29	224816	1	. Clamp	76	594218	2	. Flat Washer
30	R13808107	4	. Clamp, Insulated	77	221767W	4	. Hard Washer
31	R13803039	5	. Clip, Insulated	99	594220	1	. Kit, Hose
32	R13808116	8	. Clip, Insulated	99.1	245785	1	.. Hose Assembly
33	232869	4	. T-Bolt Clamp	99.2	245785	1	.. Hose Assembly
34	244051	1	. Clamp	99.3	R2552223	1	.. Hose Assembly
35	216494	4	. T-Bolt Clamp	99.4	R1902052	1	.. Hose Assembly
40	243488	4	. Connector	99.5	211791	3'	.. Hose, Radiator
41	209752	3	. Fitting	99.6	219460	1'	.. Hose, Radiator
42	209406	4	. Fitting	99.7	225829	8'	.. Hose, Radiator
43	209501	1	. Fitting	99.8	224766	7'	.. Hose, Radiator

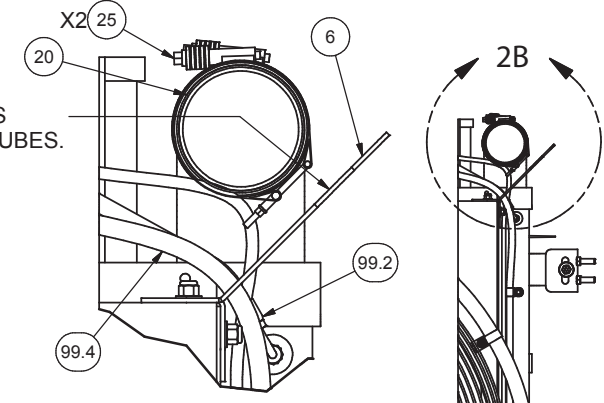
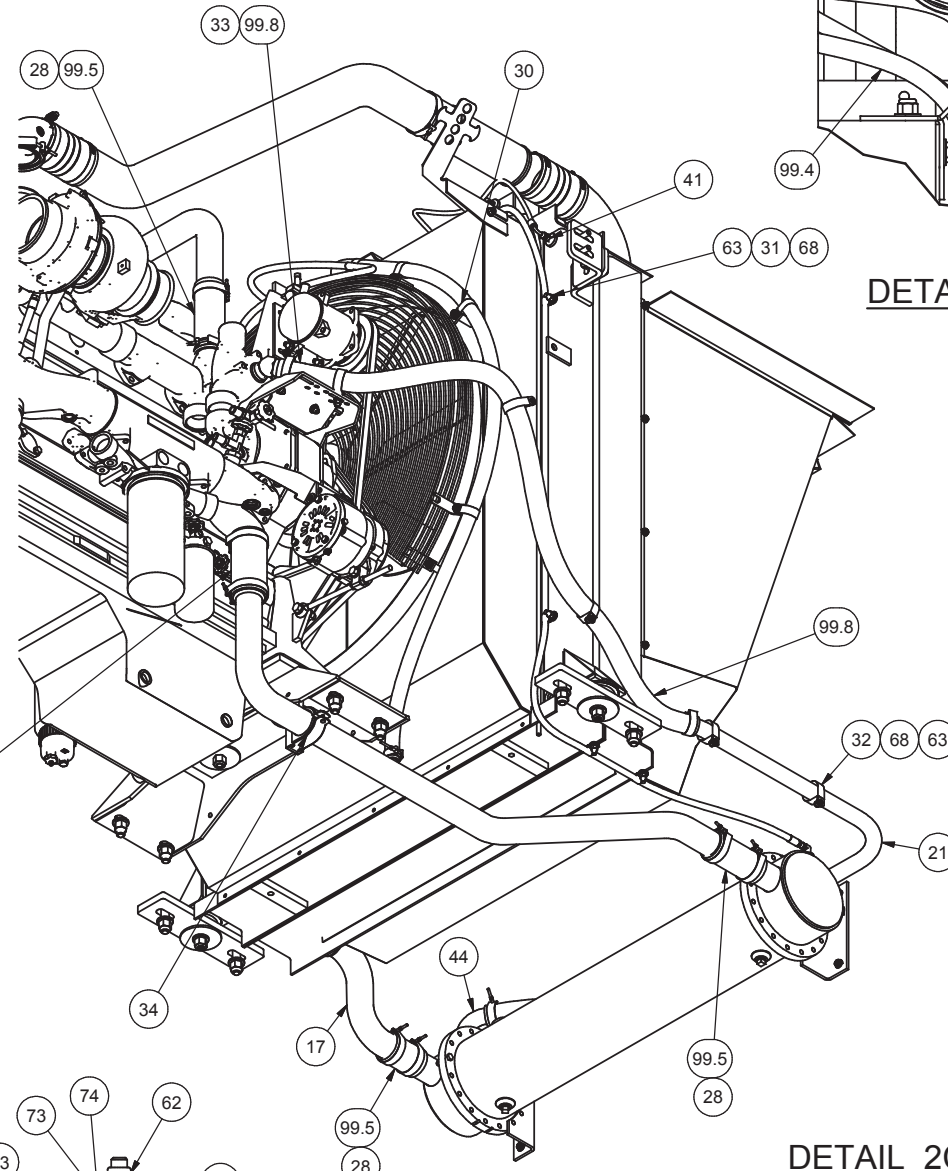
\*a See Separate Coverage

# Radiator Installation

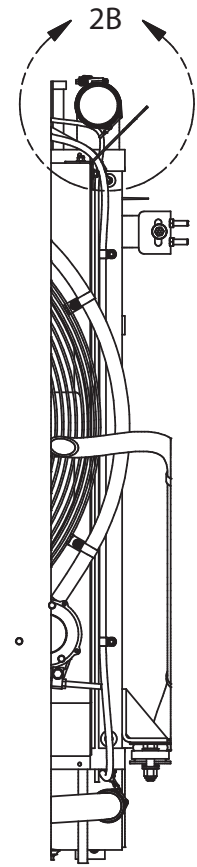




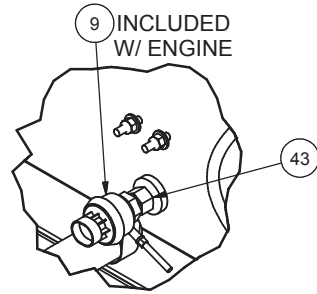
SAME BRACKET BOTH SIDES, BEND AS REQUIRED FOR ALIGNMENT TO CAC TUBES.



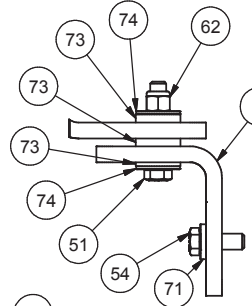
**DETAIL 2B**



**SECTION 1A-1A**

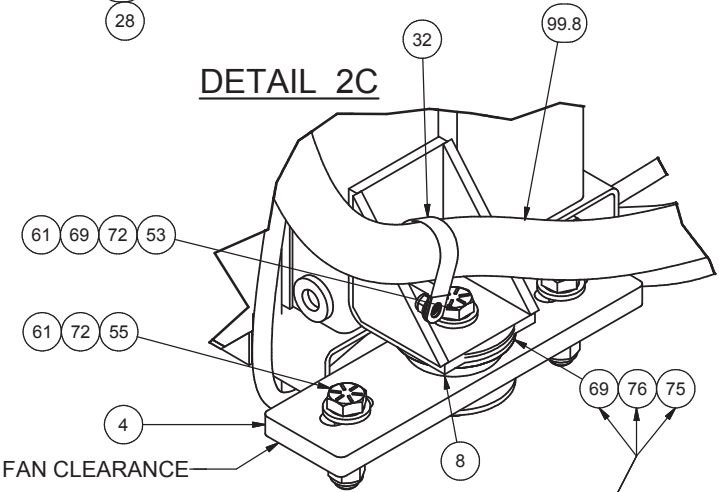


**DETAIL 2E**



**DETAIL 2D**

ADJUST AS REQUIRED FOR FAN CLEARANCE



**DETAIL 2C**

USE AS REQUIRED FOR FAN ALIGNMENT

