

---

Decal Locations

## Decal Locations

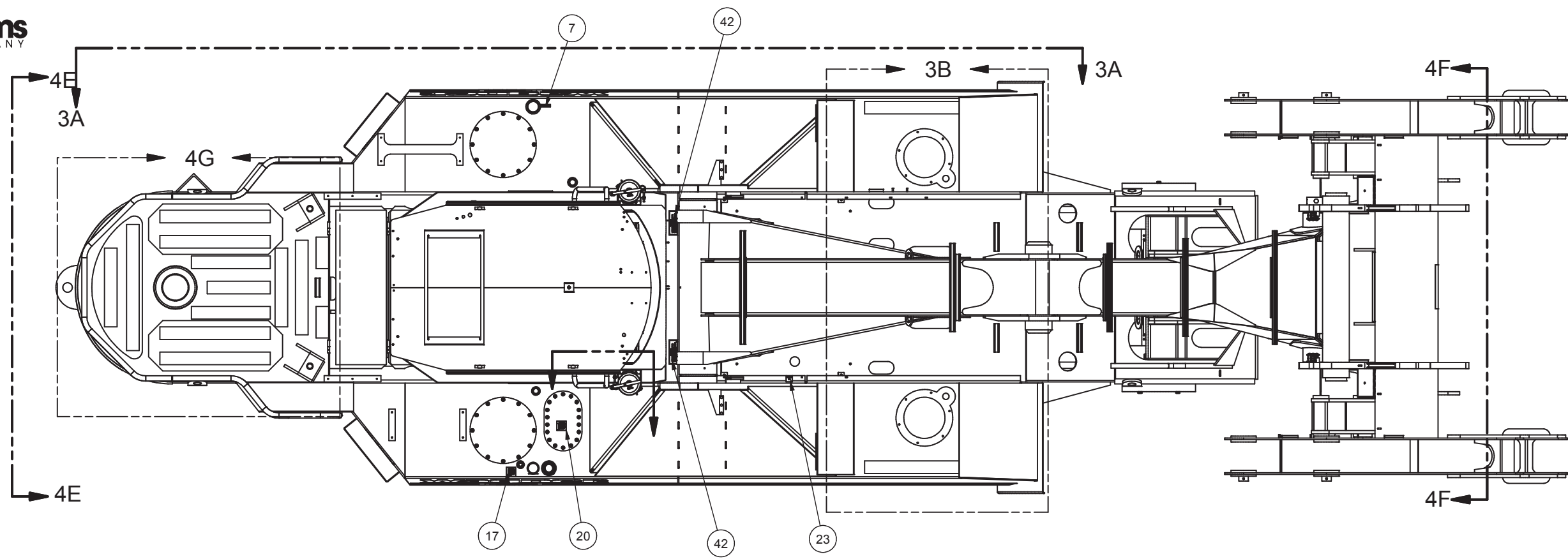
Item	Part No.	Qty	Description	Item	Part No.	Qty	Description
	<b>594114</b>		<b>Decal Locations</b>				
2	557352	1	. Decal, Pressurized Breather	52	222737	A/R	. Sealer, Edge
3	219382	A/R	. Tape, Non-Skid	53	*b 558533	1	. Wrench, Fire Extinguisher
5	529474	A/R	. Decal, Racing Stripe, 6 Wide	55	*b 228041	1	. Coupler
6	563640	1	. Decal, Oil Fill, All Units	56	*b 231135	1	. Gauge,
7	504195	1	. Nameplate, Diesel Fuel	57	*b 537788	1	. Wrench, Spindle Nut
8	558506	1	. Decal, Wagner	66	223061	1	. Decal, Warning Voltage
9	547451	2	. Decal, Warning	68	1321665W	3	. Decal - Warning
10	547453	2	. Decal, No Riders	72	*b 587058	1	. Label, Implement Pump Inlet
11	590995	3	. Decal, Wagner	73	*b 587059	1	. Label, Steering Pump Inlet
12	539197	2	. Decal, Fire Extinguisher	74	*b 587060	1	. Label, Tilt Pump Inlet
13	539226	2	. Decal, Fire Extinguisher	75	*b 587061	1	. Label, Radiator Fan Pump Inlet
14	*a 582769	1	. Fire Extinguisher Installation	76	*b 587062	1	. Label, Tilt Pump Pressure
15	558098	1	. Plate, Manuf & Serial #'s	77	*b 587065	1	. Label, Radiator Fan Pump Press.
16	*b 243274	1	. Valve, Hi-Press	78	*b 587066	1	. Label, Implement Pump Pressure
17	560276	1	. Decal, Tank Pressure	79	*b 587067	1	. Label, Steering Pump Pressure
18	504197	1	. Nameplate, Hydraulic Oil	80	*b 587068	1	. Label, Brake Pump Pressure
19	561918	1	. Decal, Strainer	81	*b 587069	1	. Label, Orbitrol Supply Pressure
20	557353	1	. Decal, Filter Pressure	82	*b 587070	1	. Label, Brake System Pressure
21	587606	3	. Decal, Element	83	*b 587071	1	. Label, Pilot System Pressure
22	587607	1	. Decal, Filter Element	84	*b 587072	1	. Label, Brake Cooling Inlet
23	557118	1	. Decal, Trans Oil Fill	85	*b 587073	1	. Label, Brake Cooling Return
24	528880	2	. Decal, Trans Oil Level/Idle	86	*b 587090	1	. Label, Steering Filter
25	579532	1	. Decal, Replace..Element...	87	*b 587091	1	. Label, Main Filter
27	*b 209091	24	. Fitting	88	*b 587092	1	. Label, Brake/Pilot Filter
29	557494	1	. Decal, Battery Disconnect	89	*b 587093	1	. Label, Hyd Cool Fan Filter
30	505158	1	. Decal, Trans Instruction	90	*b 587094	1	. Label, Rad/Cac Fan Filter
31	*b 209088	24	. Fitting	91	*b 587095	1	. Label, Transmission Pressure
34	594341	2	. Decal, L90S	92	*b 587096	1	. Label, Converter In Pressure
36	587608	1	. Decal, Trans Operation	93	*b 587097	1	. Label, Converter Out Pressure
37	563641	1	. Decal, Oil Check, All Units	96	*b 587100	1	. Label, Trans Lube Pressure
38	557341	1	. Decal, Warning: Read Ops Man	97	*b 587101	1	. Label, Forward Clutch Pressure
40	592855	1	. Decal, Wheel Nuts	98	*b 587102	1	. Label, Reverse Clutch Pressure
41	504204	1	. Decal, Caution, Do Not Reverse...	99	*b 587103	1	. Label, Return Filter
42	560278	2	. Decal, Caution..Baffle Plate..	100	*b 587104	1	. Label, Transmission Filter
45	906581	1	. Decal, Emission Control Info	102	FD70000434	2	. Decal, Manuf In USA
46	587028	1	. Nameplate, Load Capacity	103	586693	1	. Nameplate, FOPS
50	578148	1	. Cover Plate	107	593905	2	. Decal, Logger W/Log
51	541869	2	. Cover Plate	109	*b 595621	1	. Label, RH Implement filter
				110	*b 595620	1	. Label, RH Implement filter

\*a See Separate Coverage

\*b Not Illustrated

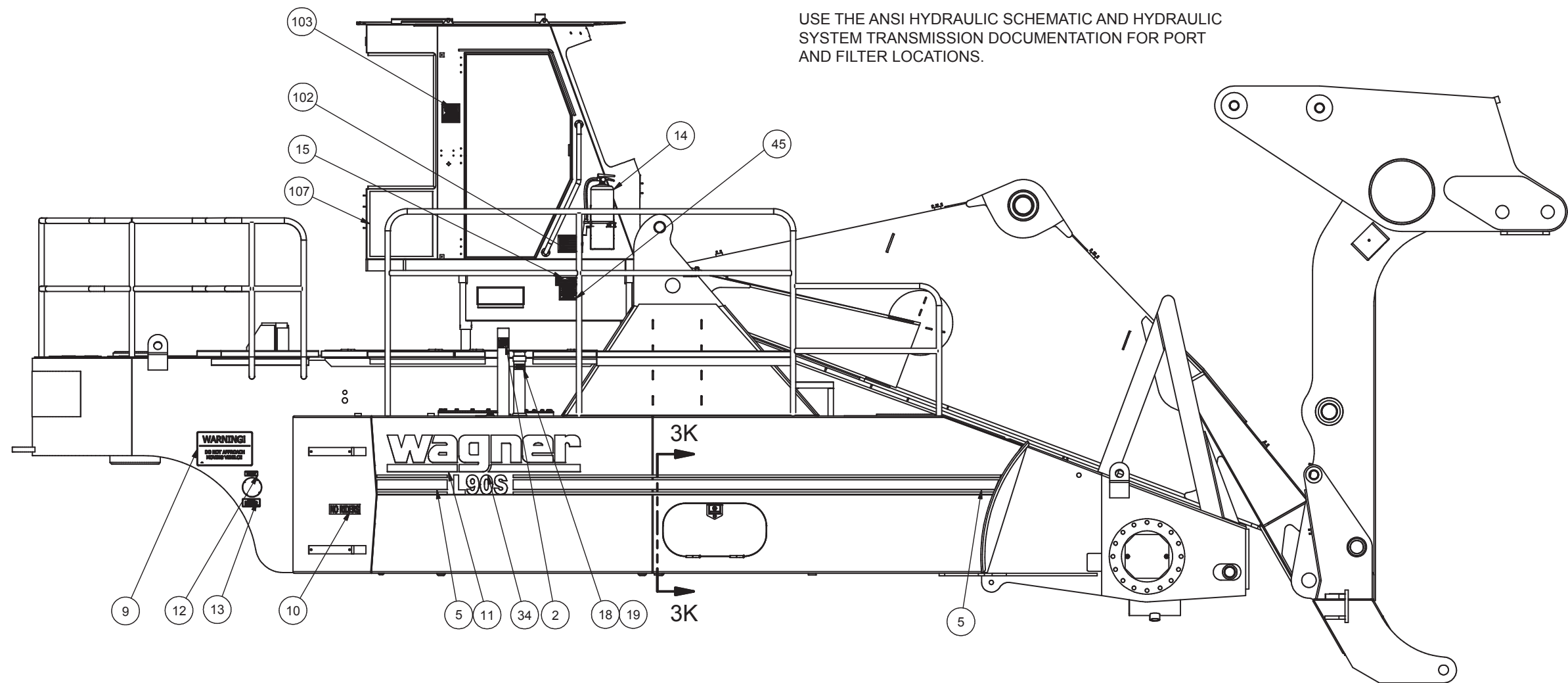
A/R As Required

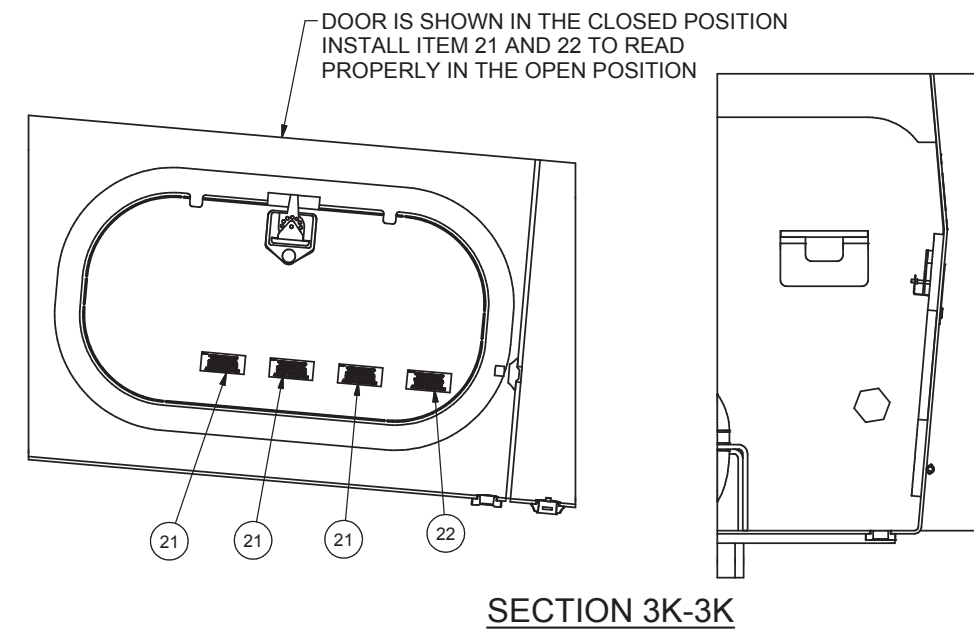
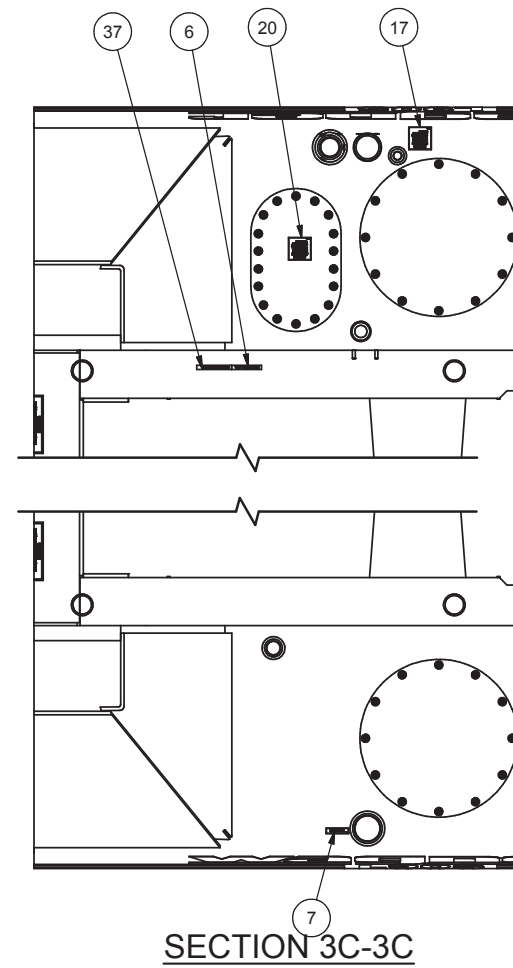
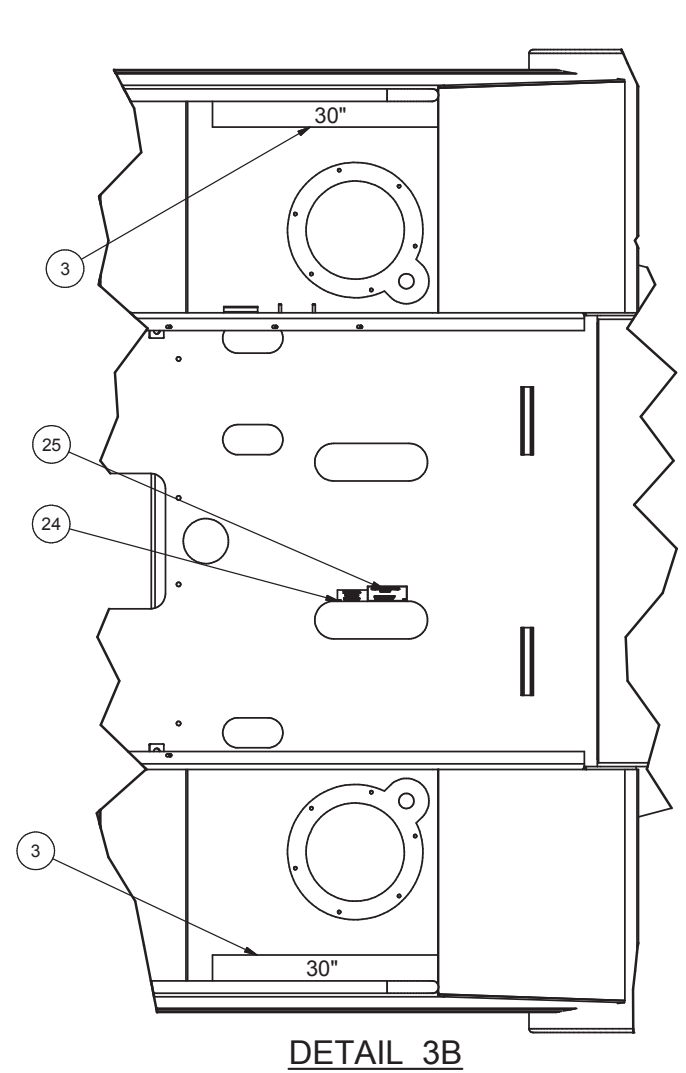
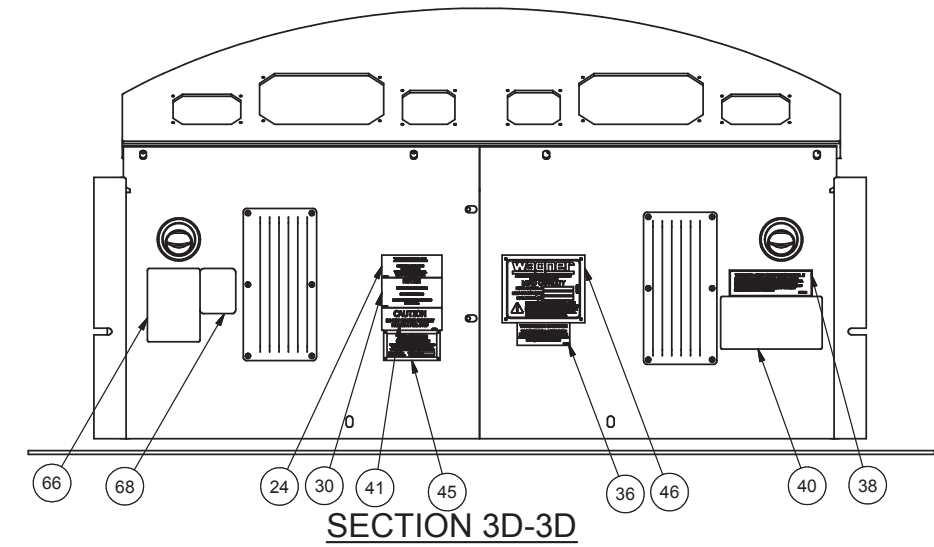
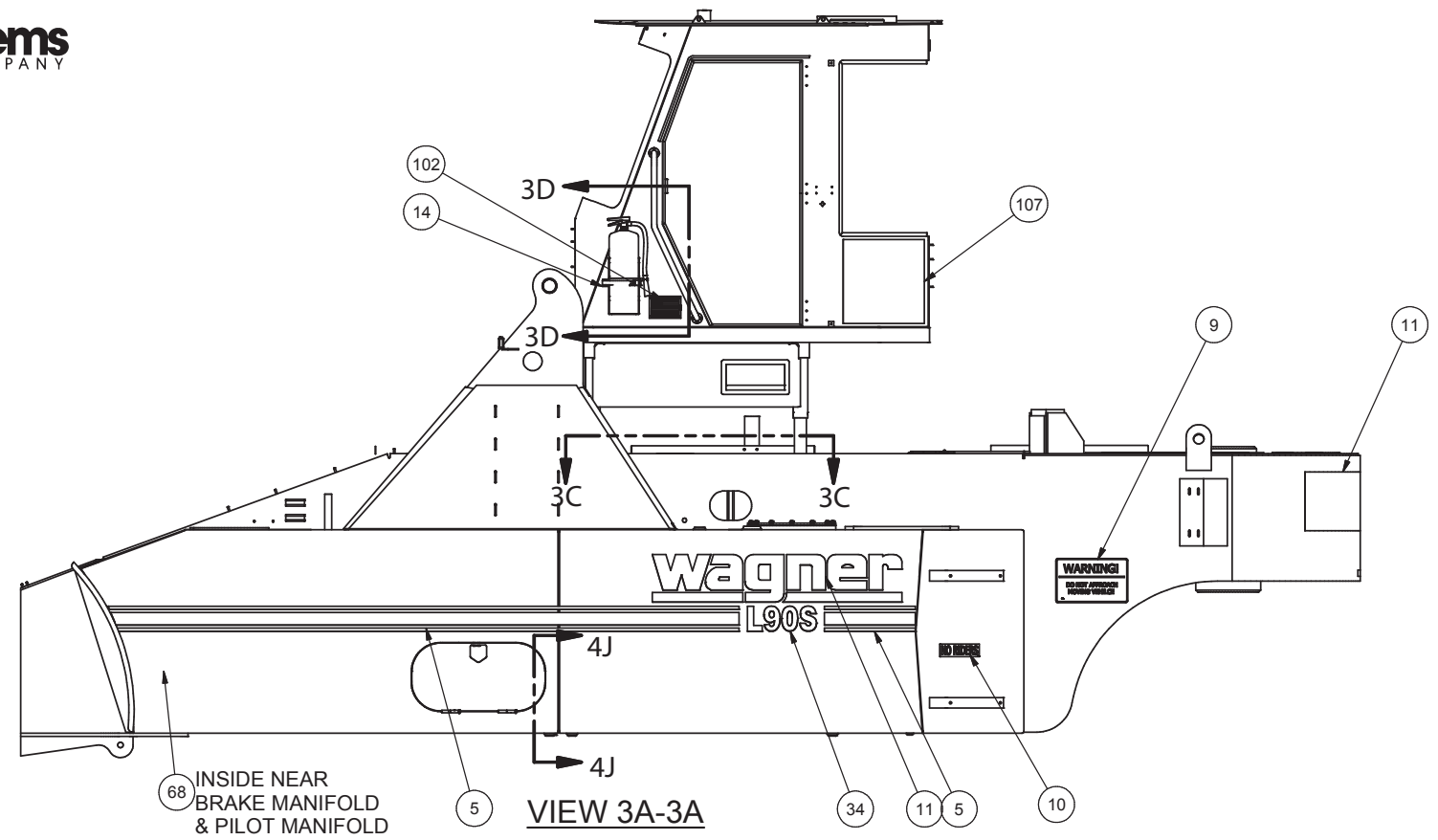
Items 72 thru 93, 96 thru 100, 109, and 110 are test port and filter decals. Use the ANSI hydraulic schematic and hydraulic system transmission documentation for port and filter locations.

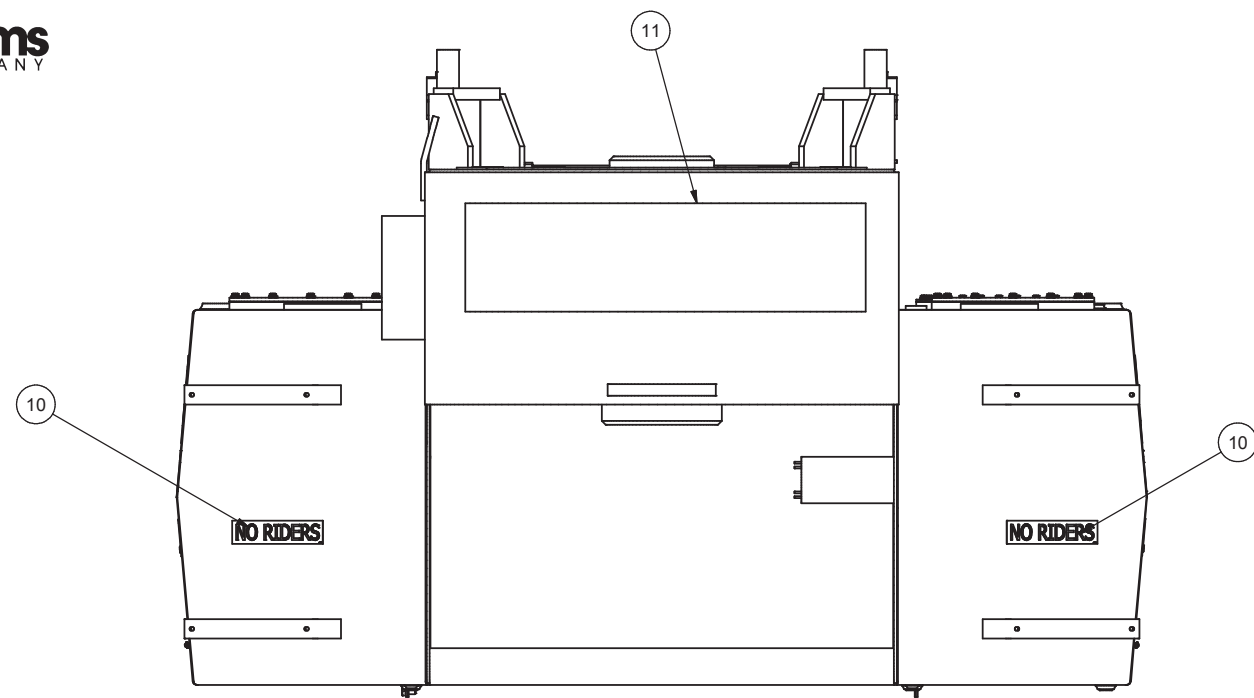


ITEM 72 THRU 93, 96 THRU 100, 109, 110 ARE TEST PORT AND FILTER DECALS.

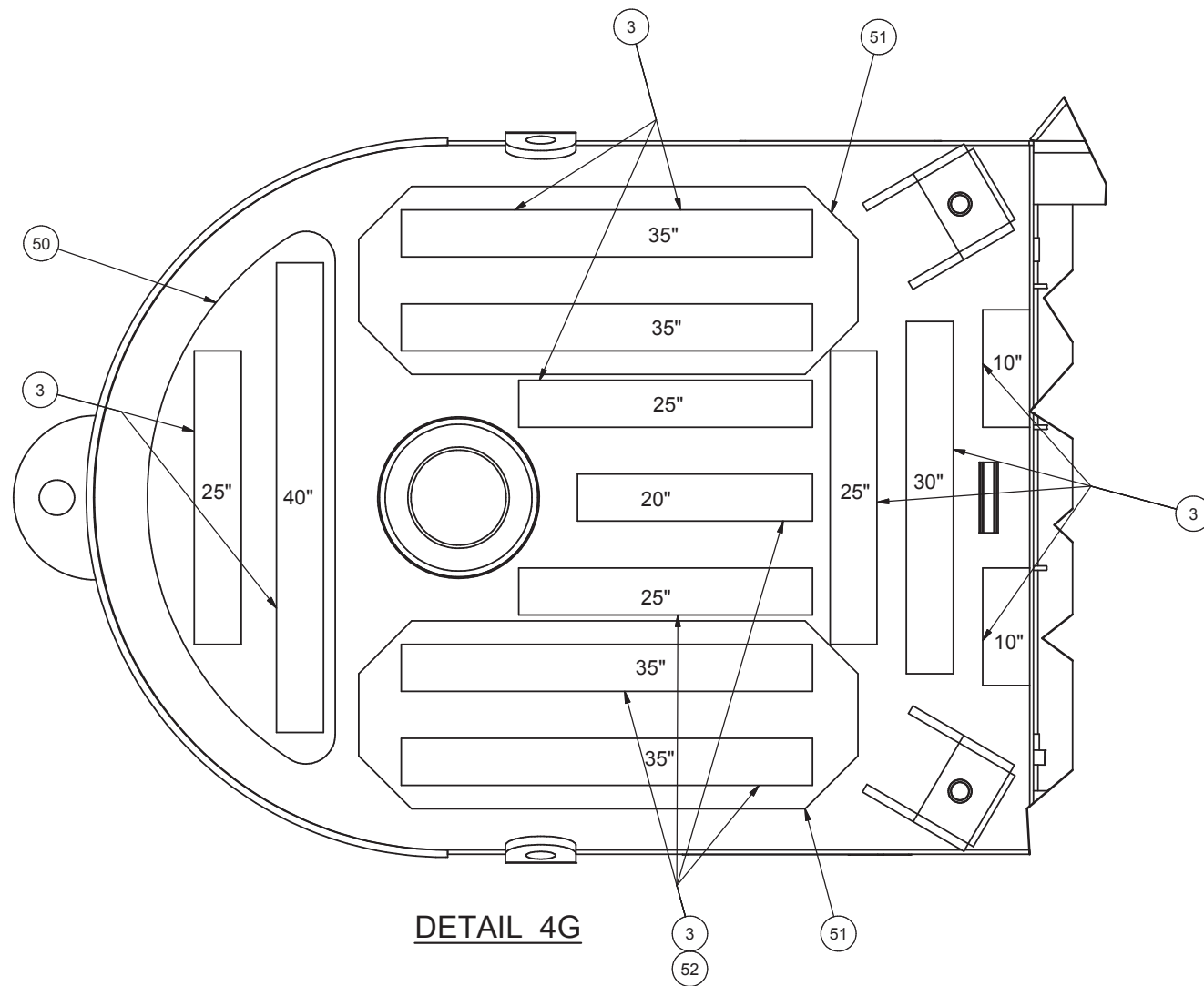
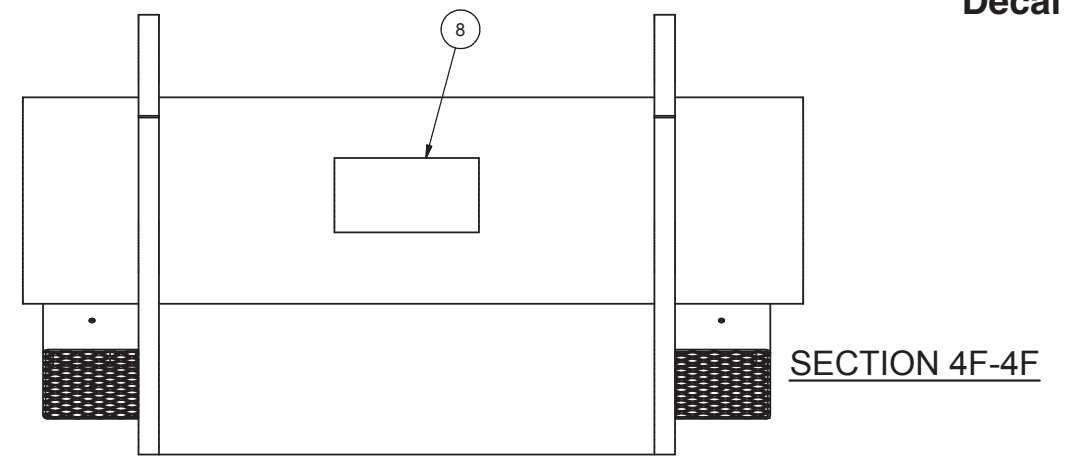
USE THE ANSI HYDRAULIC SCHEMATIC AND HYDRAULIC SYSTEM TRANSMISSION DOCUMENTATION FOR PORT AND FILTER LOCATIONS.







VIEW 4E-4E



DETAIL 4G

