
Valve Module

Valve Module

Item	Part No.	Qty	Description	Item	Part No.	Qty	Description
594107 Hydraulic Valves & Mounting Plate, W/Aux							
1	* 250637	1	. Valve	136	221767W	12	. Hard Washer
2	* 234990	1	. Valve, Flow Amplifier	138	590884	2	. Fitting
3	* 587577	2	. Valve Assembly	139	225109	2	. Fitting
6	223783	1	. Fitting	140	R14040	5	. Coupler, Male
8	580018	1	. Manifold	141	221707W	10	. Hex Nut
9	579836	1	. Plate, Mounting	142	209619	2	. Fitting
12	220427	2	. Fitting	143	522589	2	. Manifold, Alm
13	221771W	30	. Washer	144	522604	2	. Fitting
14	223784	17	. Fitting	145	248284	2	. Fitting
15	251373	2	. Fitting	146	19103	1	. Fitting
16	580019	1	. Plate, Flange	147	12721	2	. Kit, Split Flange
18	209423	2	. Fitting		203519	1	. O-Ring
20	203519	2	. O-Ring	148	R13808116	2	. Clip
23	209139	1	. Fitting	149	R13805003	3	. Clip
24	R13811435	6	. Hard Washer	151	209700	2	. Clamp
26	R13811054	3	. Capscrew	153	221497W	2	. Capscrew
28	R13811432	3	. Hard Washer	154	587669	1	. Plate, Mounting
30	059-0042	6	. Fitting	159	209083	1	. Fitting
33	R14398	4	. Fitting	160	235387	1	. Fitting
34	214316	1	. Fitting	161	R13803044	3	. Clip
42	16463W	5	. Fitting	162	242594	62	. Cable Tie
46	589737	1	. Weldment, Valve Plate	163	229383	0	. Fitting
47	221630W	2	. Capscrew	164	223929	4	. Fitting
49	11759	15	. Kit, Split Flange	165	236825	7	. Fitting
	203443	1	. O-Ring	166	14274	1	. Fitting
56	224120W	12	. Capscrew	167	227398	6	. Clamp
57	R13811077	6	. Capscrew	168	R13808097	1	. Clip
58	221763W	28	. Washer	169	209488	2	. Fitting
59	221703W	12	. Hex Nut	170	257275	2	. Fitting
63	R13811089	7	. Capscrew	171	225128	2	. Fitting
65	R13811193	9	. Locknut	174	R13803047	1	. Clip
66	245846	2	. Check Valve	175	594443	1	. Fitting
67	588445	1	. Plate, Mounting	200	594381	1	. Kit, Hose
70	11740	8	. Kit, Split Flange	200.1	230757	1	. Hose Assembly
	203446	1	. O-Ring	200.2	241233	1	. Hose Assembly
71	00426371	8	. Capscrew	200.3	240720	1	. Hose Assembly
73	11767	8	. Kit, Split Flange	200.4	591330	1	. Hose Assembly
	203516	1	. O-Ring	200.6	253713	1	. Hose Assembly
78	221140	1	. Fitting	200.7	238226	1	. Hose Assembly
82	224780	2	. Fitting	200.8	589547	1	. Hose Assembly
85	* 594125	1	. Joystick Strg Installation	200.9	238226	1	. Hose Assembly
87	527371	1	. Manifold	200.10	232674	1	. Hose Assembly
88	203516	1	. O-Ring	200.11	238226	1	. Hose Assembly
90	229345	1	. Fitting	200.12	233717	1	. Hose Assembly
92	212762	1	. Fitting	200.13	233138	1	. Hose Assembly
99	570442	1	. Clamp/Channel Weldment	200.14	243381	1	. Hose Assembly
100	203446	2	. O-Ring	200.15	243381	1	. Hose Assembly
101	231248	12	. Clamp	200.16	226750	1	. Hose Assembly
102	243421	8	. Capscrew	200.17	225084	1	. Hose Assembly
103	227384	4	. Fitting	200.18	225084	1	. Hose Assembly
106	* 581058	1	. Manifold Assembly	200.19	231337	1	. Hose Assembly
107	R13810989	4	. Capscrew	200.20	591037	1	. Hose Assembly
108	* 590976	1	. Junction Box Assembly	200.21	589495	1	. Hose Assembly
109	R13811020	3	. Capscrew	200.22	591038	1	. Hose Assembly
110	R13802914	3	. Hard Washer	200.23	589775	1	. Hose Assembly
113	211550	1	. Fitting	200.24	R14782	1	. Hose Assembly
114	R13801876	4	. Capscrew	200.25	HOS0032107	1	. Hose Assembly
124	203443	2	. O-Ring	200.26	237245	1	. Hose Assembly
125	21199	2	. Flow Control Valve	200.27	591033	1	. Hose Assembly
128	209536	4	. Clamp Half	200.28	233001	1	. Hose Assembly
129	242598	42	. Cable Tie	200.29	229555	1	. Hose Assembly
130	242595	42	. Cable Tie	200.30	227475	1	. Hose Assembly
131	242600	20	. Cable Tie	200.31	16437	1	. Hose Assembly
132	242599	2	. Cable Tie	200.32	233137	1	. Hose Assembly
133	242596	20	. Cable Tie	200.33	591031	1	. Hose Assembly
134	14248	1	. Fitting	200.34	591031	1	. Hose Assembly

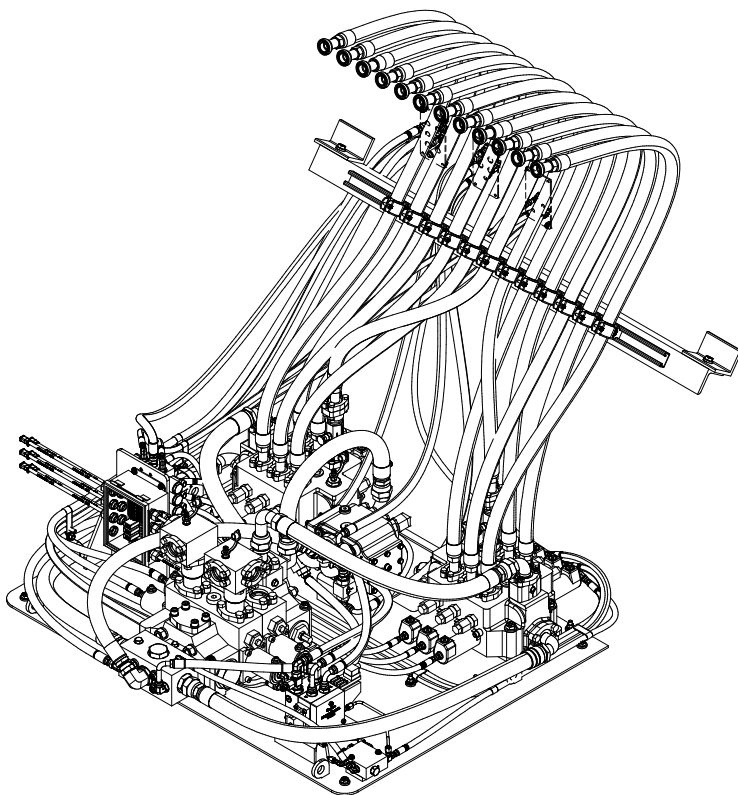
Valve Module

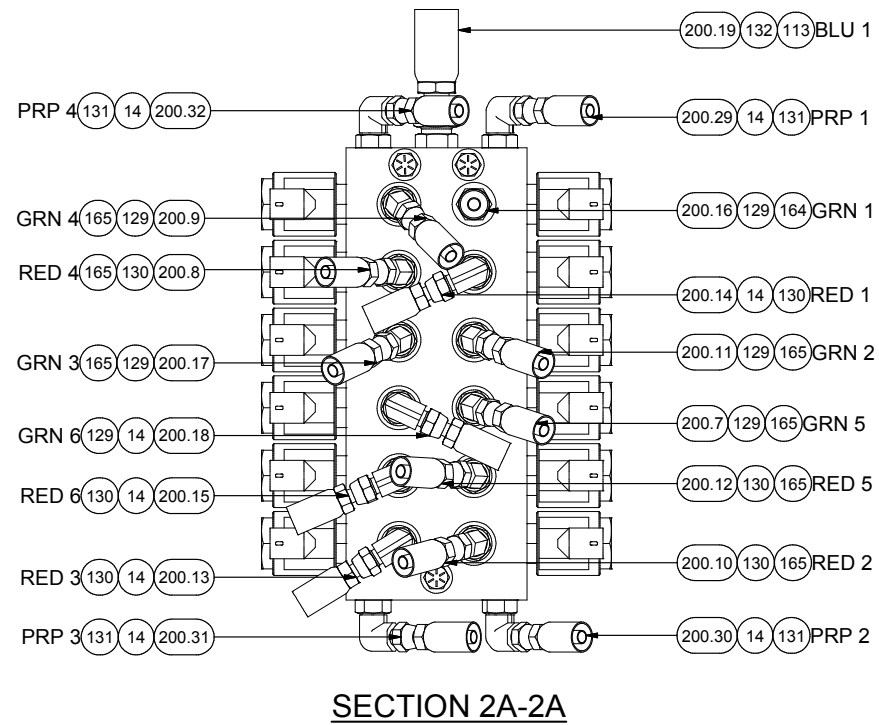
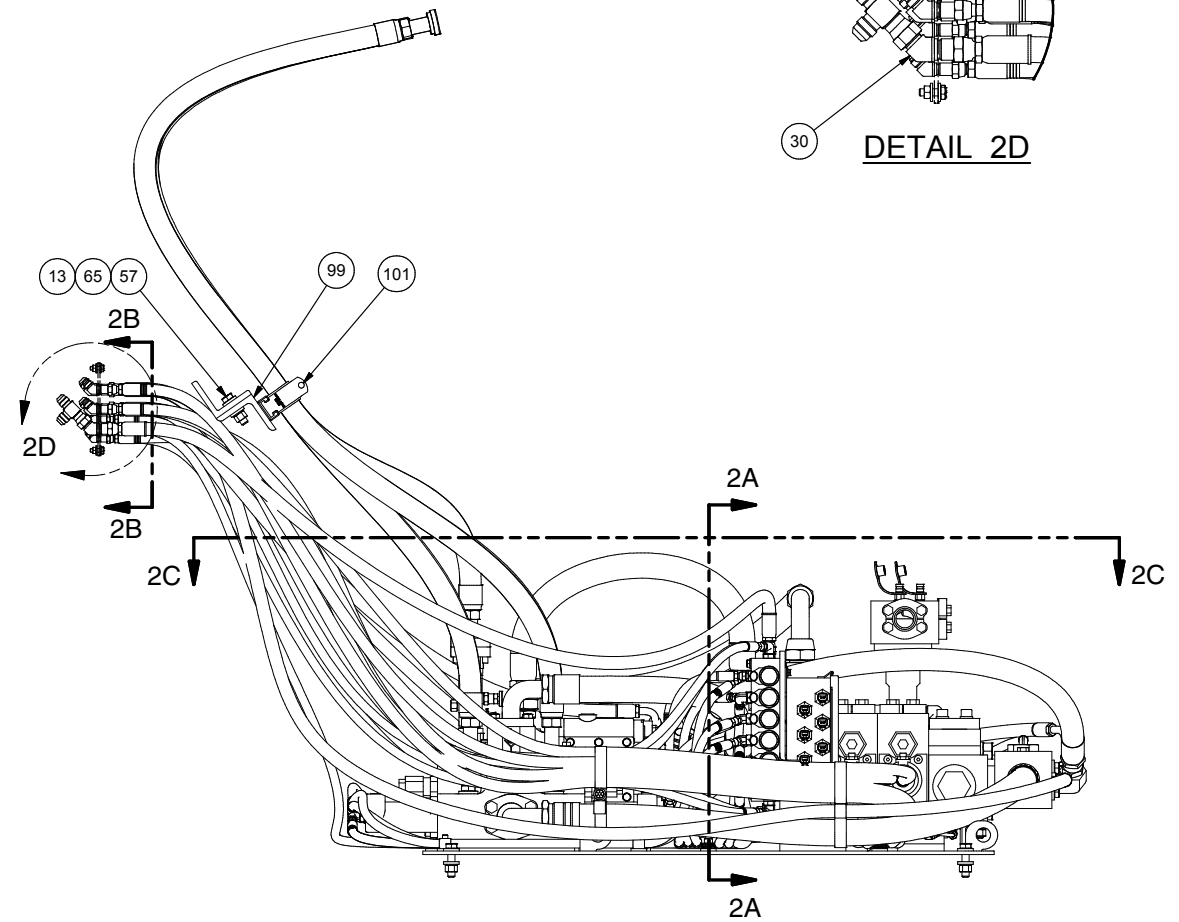
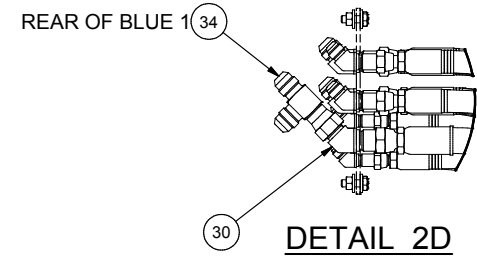
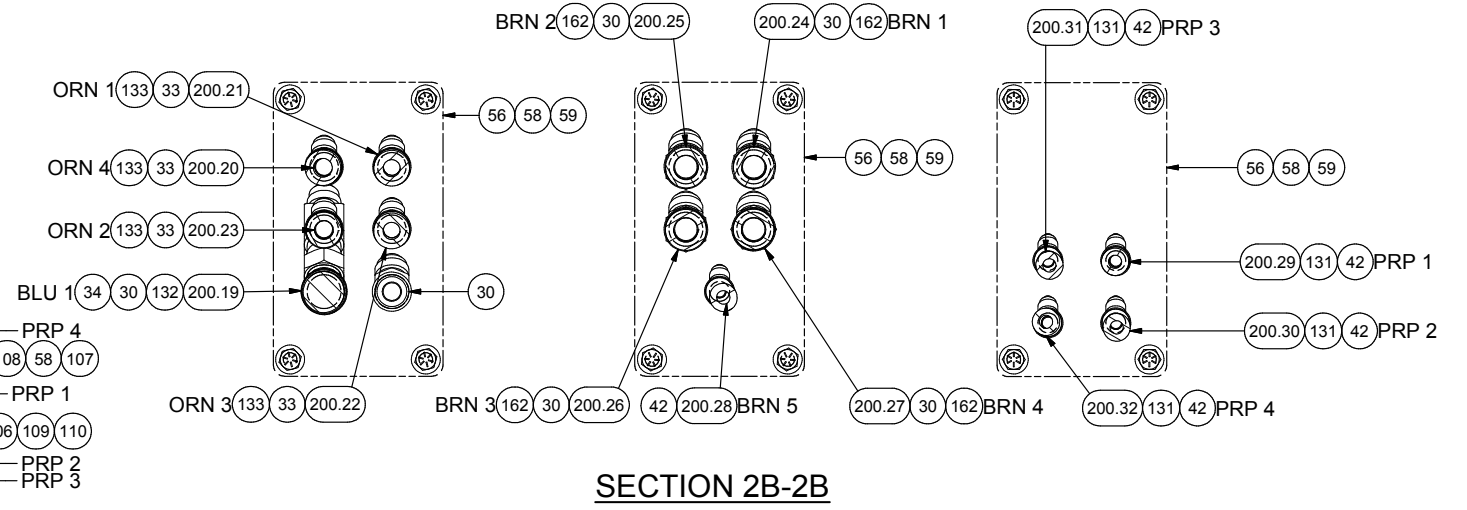
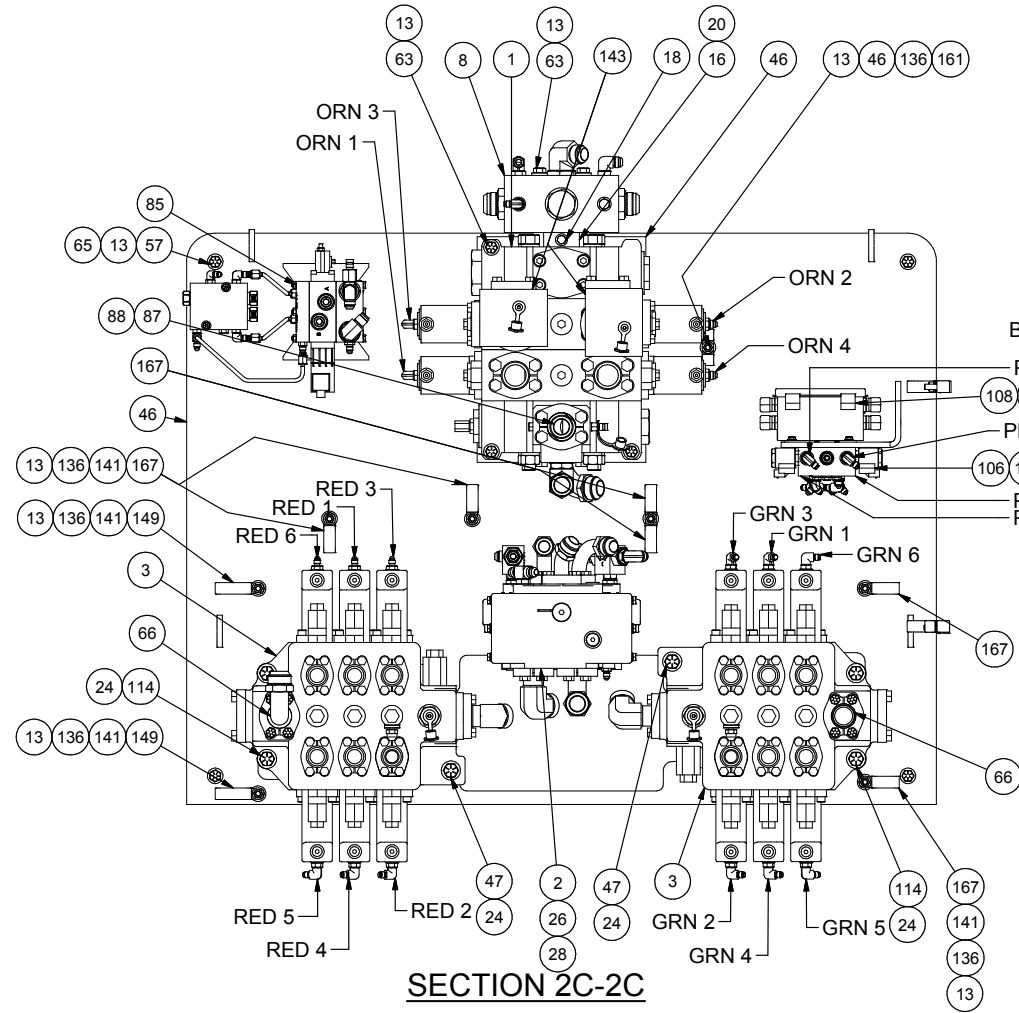
Item	Part No.	Qty	Description	Item	Part No.	Qty	Description
200.35	591030	1	.. Hose Assembly				
200.36	591030	1	.. Hose Assembly				
200.37	591030	1	.. Hose Assembly				
200.38	591032	1	.. Hose Assembly				
200.39	591243	1	.. Hose Assembly				
200.40	591242	1	.. Hose Assembly				
200.41	231513	1	.. Hose Assembly				
200.42	HOS0032108	1	.. Hose Assembly				
200.43	235521	1	.. Hose Assembly				
200.44	226733	1	.. Hose Assembly				
200.45	230757	1	.. Hose Assembly				
200.46	591032	1	.. Hose Assembly				
200.47	591031	1	.. Hose Assembly				
200.48	591031	1	.. Hose Assembly				
200.49	591030	1	.. Hose Assembly				
200.50	591030	1	.. Hose Assembly				
200.51	591030	1	.. Hose Assembly				

*a See Separate Coverage

NOTES:

1. PRESSURE CHECK IS TO BE PLACED ON BOTH VALVES PRESSURE PORTS. REMOVE FACTORY SUPPLIED PLUG AND INSTALL PRESSURE CHECK.
2. ITEM 163 IS TAKEN FROM VALVE 587577. RELOCATE PLUGS FROM SIDE OF PILOT END CAPS TO TOP.
3. REPLACE ITEMS 172 AND 173 WITH 90. RETURN ITEMS 172 AND 173 TO STOCK.
4. CABLE TIES ARE TO BE PLACED ON EACH HOSE END AS ID MARKERS. USE COLOR AND NUMBER PER LABEL.
5. ITEMS ARE NOT SHOWN IN CERTAIN VIEWS FOR CLARITY.
6. TP - DESIGNATES TEST PORT, TP DESCRIPTIONS CORRELATE WITH OPERATORS SPECIFICATION.





TP-HOIST BASE CIRCUIT RELIEF (140)

TP-HOIST/TILT MAIN RELIEF (140)
HOIST BASE CIRCUIT RELIEF
HOIST STEM CIRCUIT RELIEF
TILT BASE CIRCUIT RELIEF
TILT STEM CIRCUIT RELIEF

ORN 4 (138 133 200.20)

ORN 2 (138 133 200.23)

HOIST/TILT VALVE-FRONT

140 TP-HOIST STEM CIRCUIT RELIEF

BRN 1 (162 85 200.44)

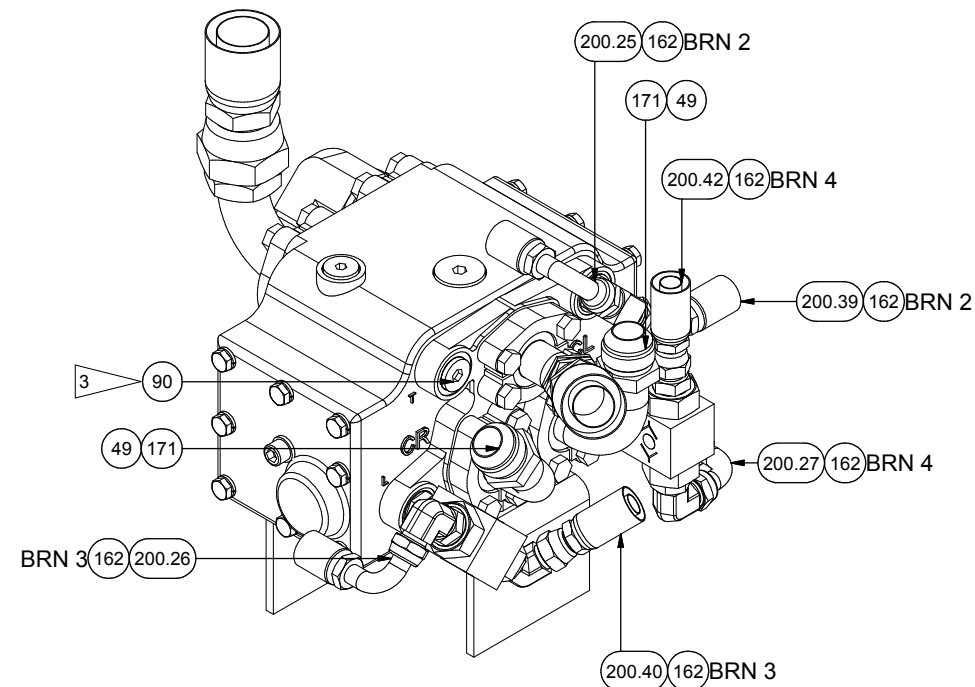
142 200.1

200.41 162 169 BRN 1

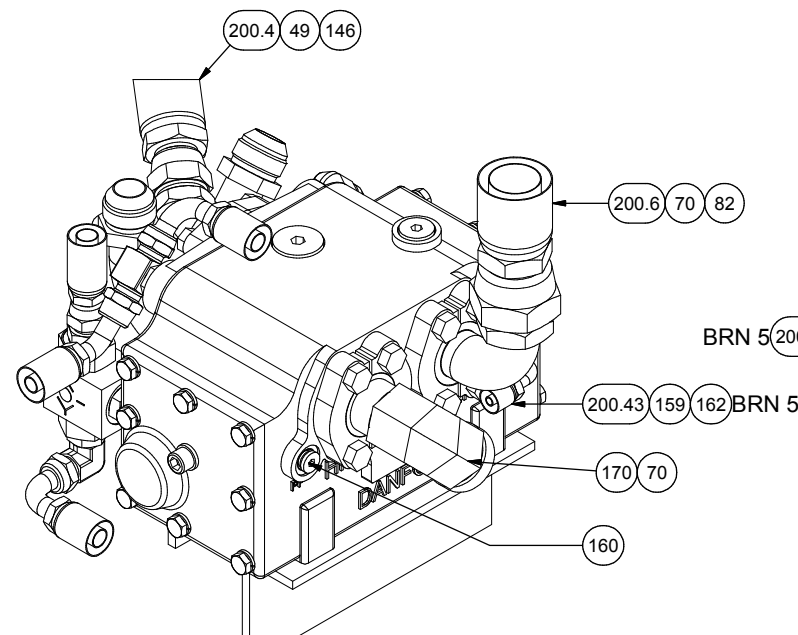
ORN 3 (145 133 200.22)

ORN 1 (145 133 200.21)

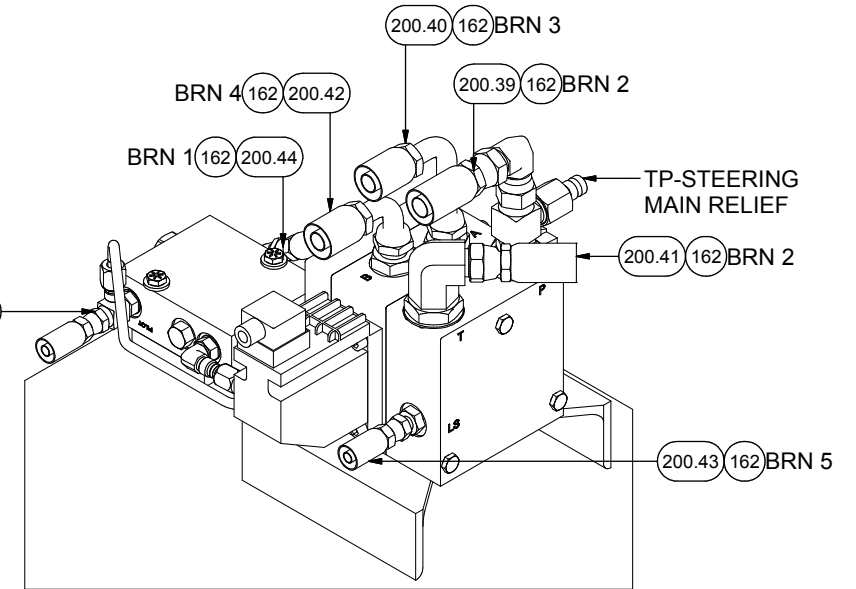
HOIST/TILT VALVE-REAR



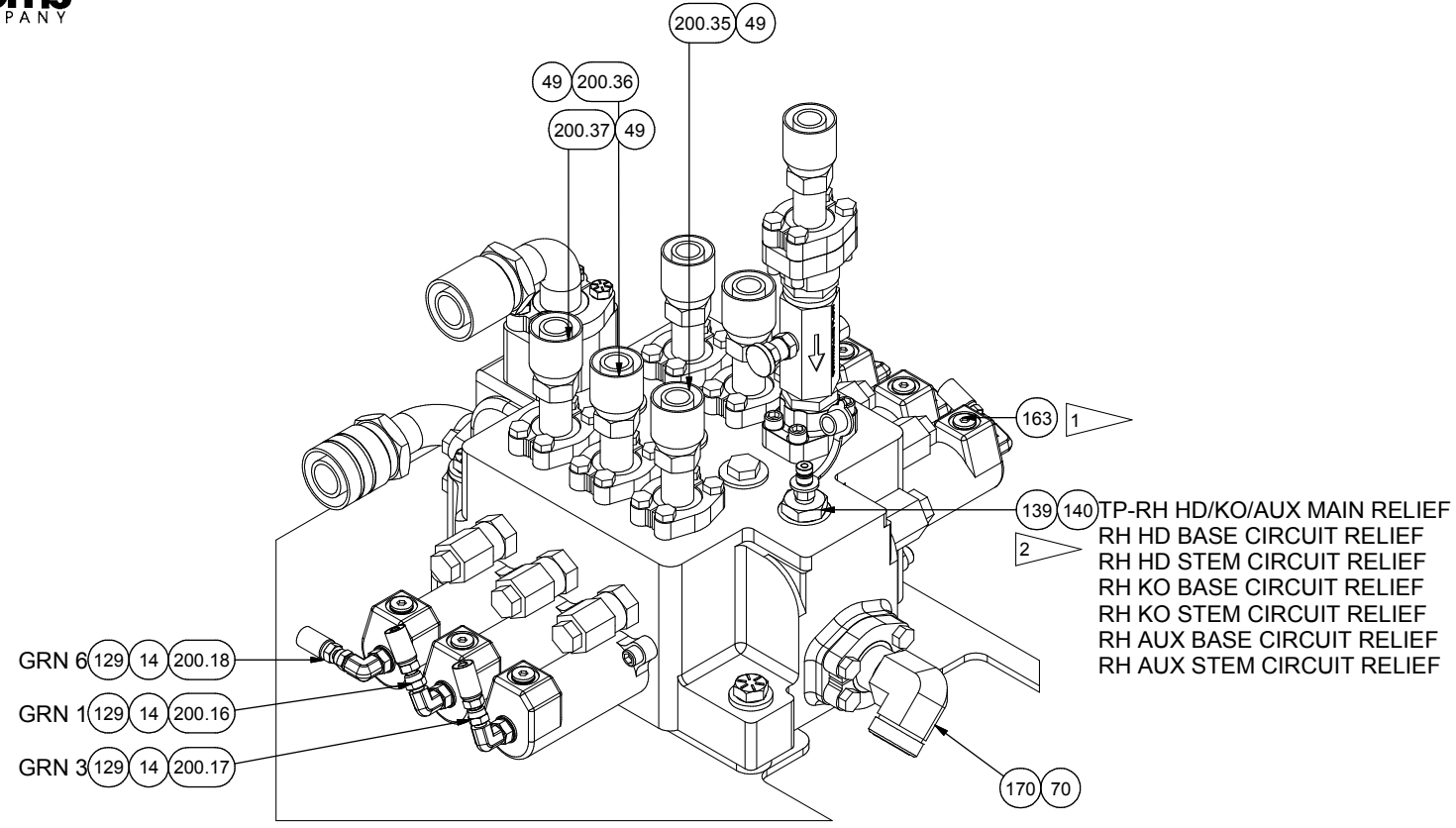
STEERING FLOW AMPLIFIER-FRONT



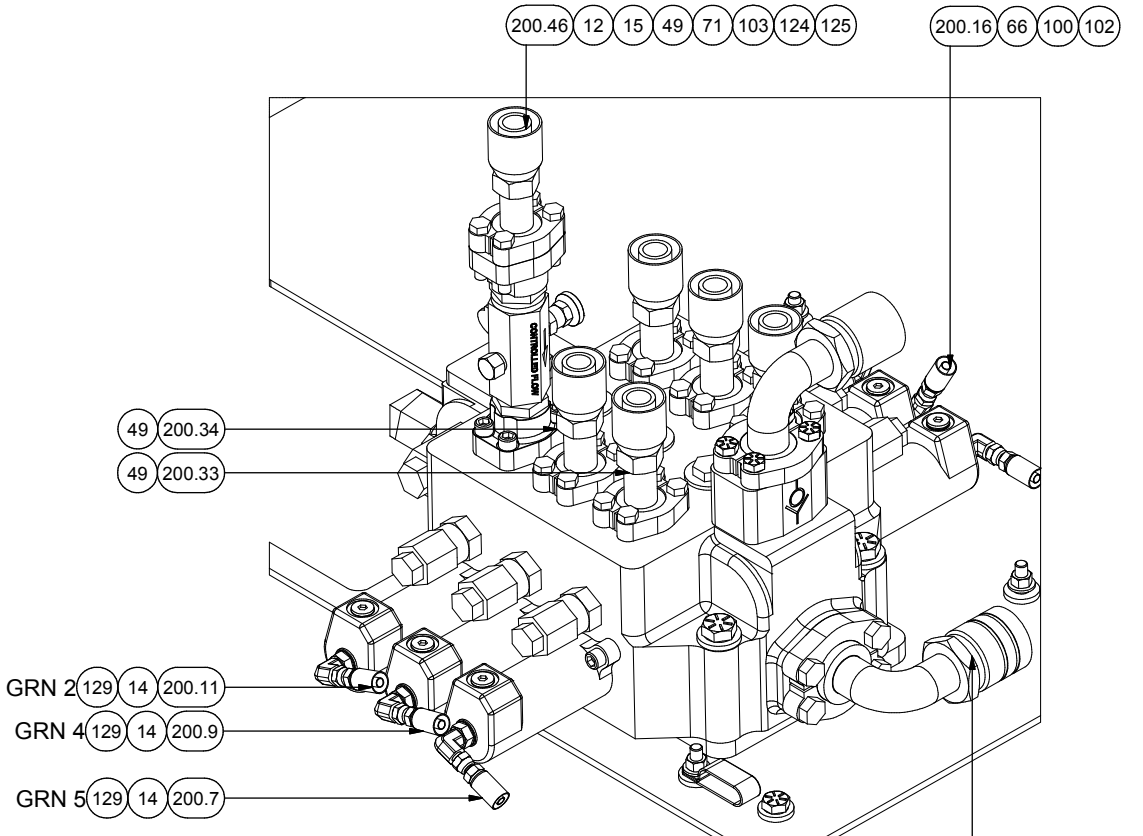
STEERING FLOW AMPLIFIER-REAR



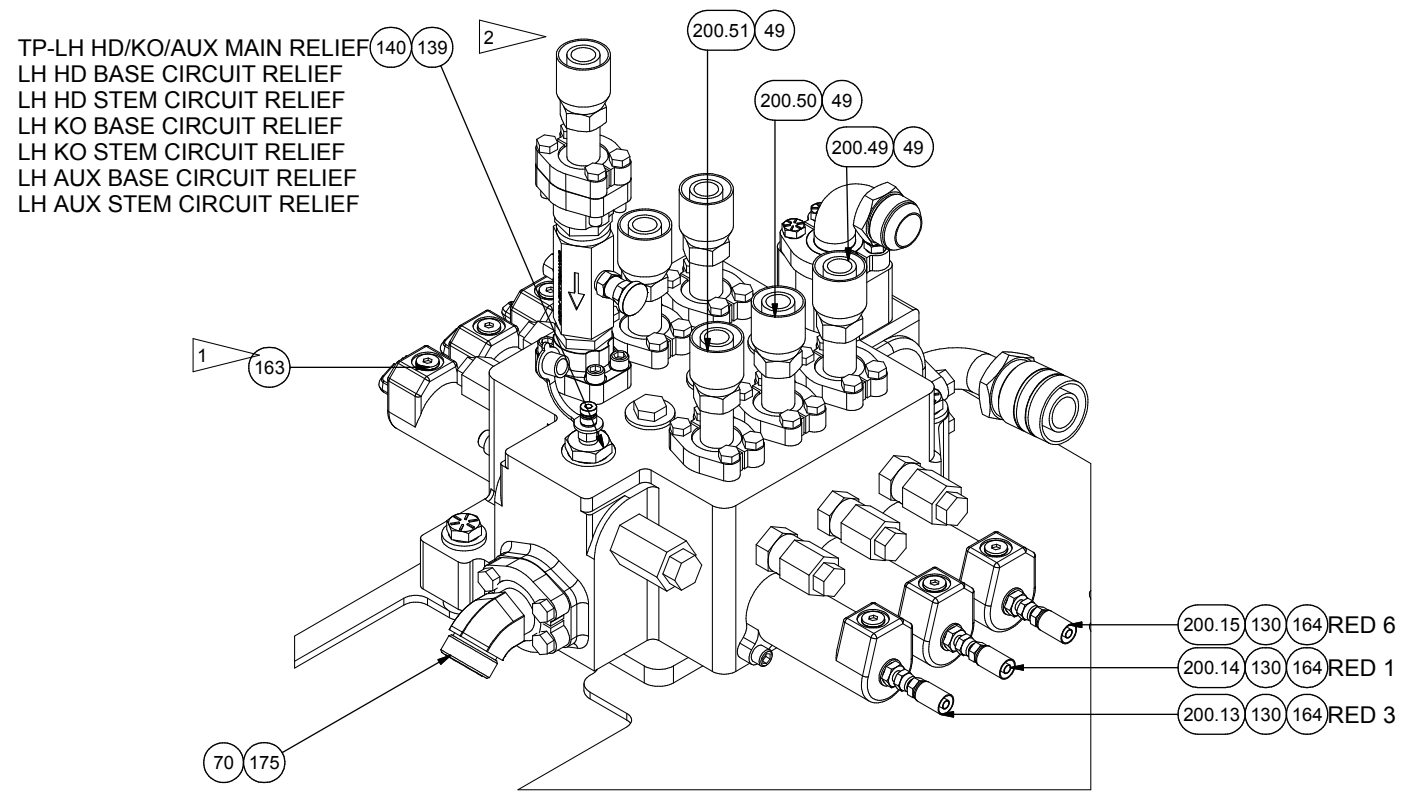
JOYSTICK STEERING VALVE-REAR



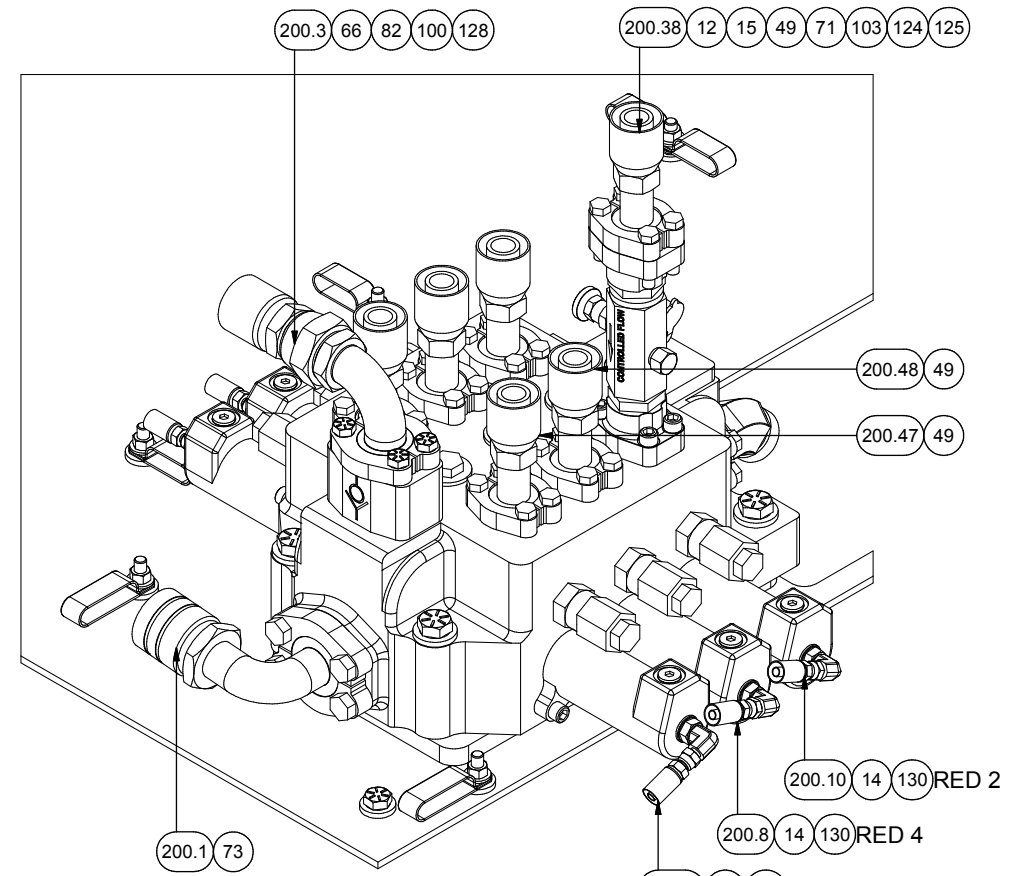
RH IMPLEMENT-FRONT



RH IMPLEMENT-REAR



LH IMPLEMENT-FRONT



LH IMPLEMENT-REAR

