
Rear Axle

Rear Axle

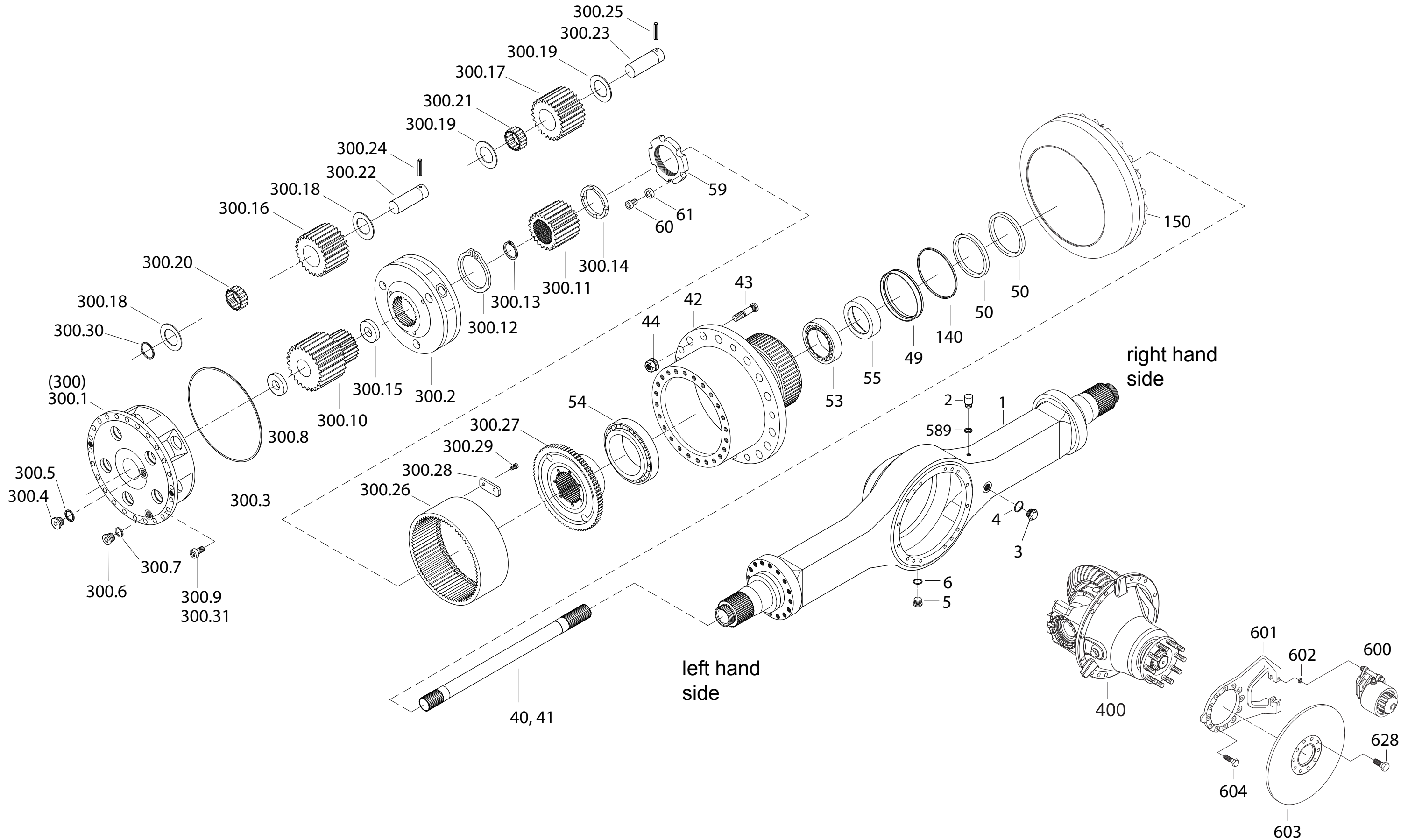
Item	Part No.	Qty	Description	Item	Part No.	Qty	Description
	594016		Rear Axle				
1	596752	1	. Axle Housing	300.14	592953	1	.. Ring, Thrust
2	592903	1	. Breather	300.15	592947	1	.. Ring, Thrust
5	592904	1	. Plug, Screw	300.16	592954	5	.. Gear, Planetary
6	592905	1	. Ring, Sealing	300.17	592955	3	.. Gear, Planetary
40	596753	1	. Axle Shaft, Left Side	300.18	592956	10	.. Washer, Thrust
41	596754	1	. Axle Shaft, Right Side	300.19	592957	6	.. Thrust Washer
42	592907	2	. Hub, Wheel	300.20	592958	5	.. Bearing, Needle
43	592908	76	. Wheel Stud	300.21	592959	3	.. Bearing, Needle
49	592909	2	. Ring	300.22	592960	5	.. Pin, Planetary
50	*a 592910	4	. Seal Ring, Radial	300.23	592961	3	.. Pin, Planetary
53	592911	2	. Bearing, Roller Tapped	300.24	592962	5	.. Pin, Locking
54	592911	2	. Bearing, Roller Tapped	300.25	592963	3	.. Pin, Locking
55	592912	2	. Ring	300.26	592964	1	.. Gear, Ring
59	*b 592913	2	. Nut	300.27	592965	1	.. Carrier, Ring Gear
60	592914	2	. Screw Hex Soc	300.28	592966	3	.. Retainer
61	592915	2	. Ring	300.29	592967	6	.. Screw Hex
140	592916	2	. O-Ring	300.30	592968	5	.. O-Ring
150	*c 593137	2	. Brake Assembly	300.31	592969	2	.. Screw Hex Soc
300	593144	2	. Planetary Assembly	400	*c 596756	1	. Differential & Carrier Assembly
300.1	592942	1	.. Housing, Planetary	589	592935	1	. Ring, Sealing
300.2	592943	1	.. Carrier, Planetary	600	*d 596760	2	. Brake, Parking
300.3	592944	1	.. O-Ring	601	596761	1	. Brake Carrier
300.4	592945	1	.. Plug, Screw	602	593016	4	. O-Ring
300.5	592905	1	.. Ring, Sealing	603	593017	1	. Disc, Brake
300.6	592946	1	.. Plug, Screw	604	593018	12	. Screw Hex
300.7	592932	1	.. Ring, Sealing	628	593036	8	. Screw Hex
300.8	592947	1	.. Ring, Thrust	2800	593040	6	. Bolt
300.9	592948	24	.. Screw Hex Soc	2801	593041	6	. Nut Hex
300.10	592949	1	.. Gear, Sun	2802	593042	6	. Nut, Cap
300.11	592950	1	.. Gear, Sun	2803	593043	6	. O-Ring
300.12	592951	1	.. Circlip	2813	593044	12	. O-Ring
300.13	592952	1	.. Circlip				

*a Use Sleeve Driver 593403

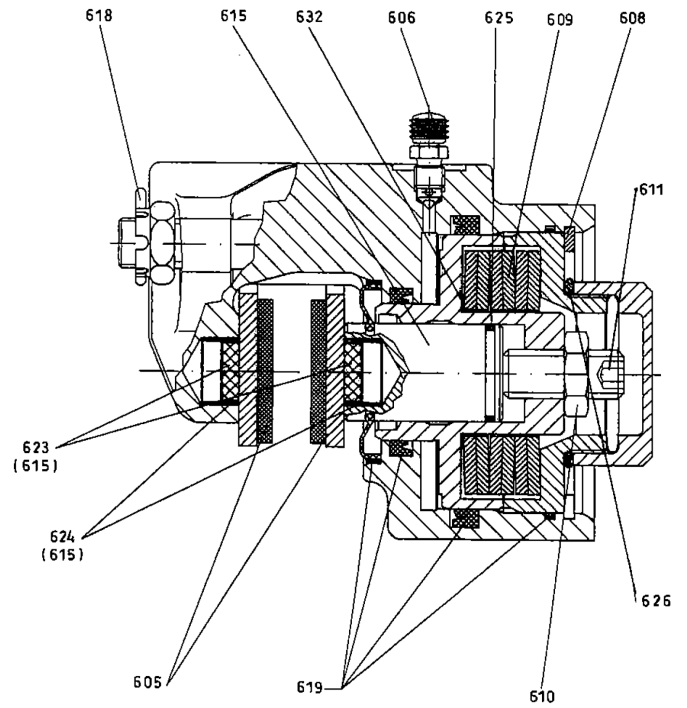
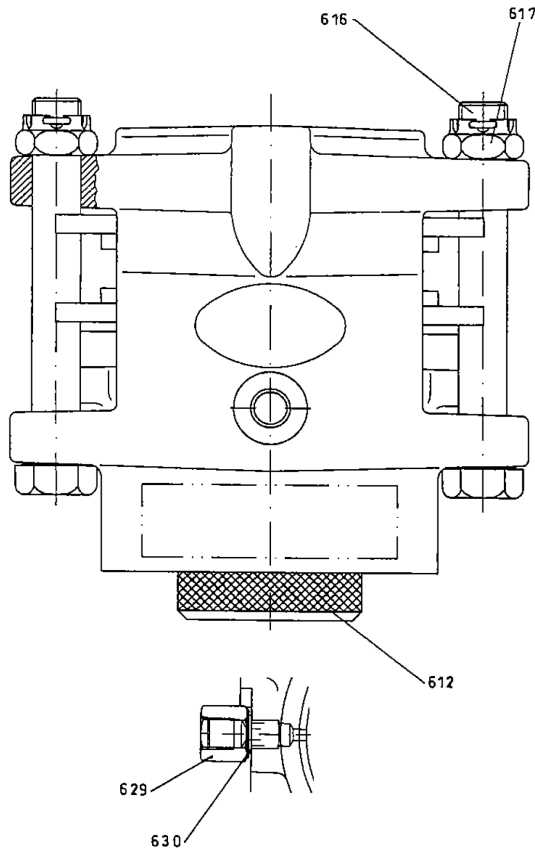
*b Use Spanner Wrench 593401

*c See Separate Coverage

*d See Page 4



Brake, Parking



Item	Part No.	Qty	Description	Item	Part No.	Qty	Description
596760 Brake, Parking							
605	*a 596762	2	. Lining Set	618	593030	4	. Pin, Splint;
606	593020	2	. Valve, Bleeder;	619	*b 596769	2	. Gasket
608	596763	2	. Circlip	623	*a 593032	4	. Magnet
609	596764	12	. Dished Plate Spring	624	*a 593033	4	. Ring, Tolerance
610	596765	2	. Nut	625	*b 593034	2	. O-ring;
611	596766	2	. Set Screw	626	*b 596770	2	. O-Ring
612	596767	2	. Cap	629	593037	2	. Screw; Soc
615	593027	2	. Bolt, Press;	630	*b 593038	2	. Ring, Sealing;
616	596768	4	. Hexagon Screw				
617	593029	4	. Nut, Castle;				

*a Included in Parking Brake Lining Kit 596778

*b Included in Parking Brake Seal Kit 596779