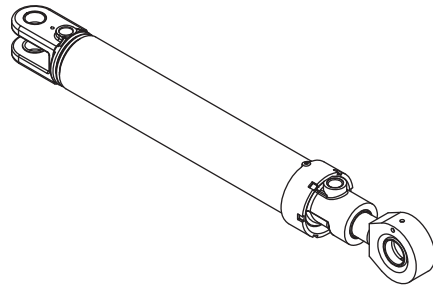
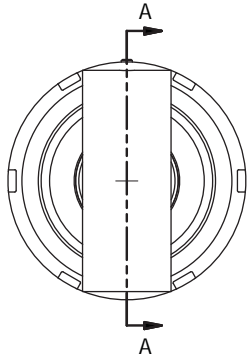
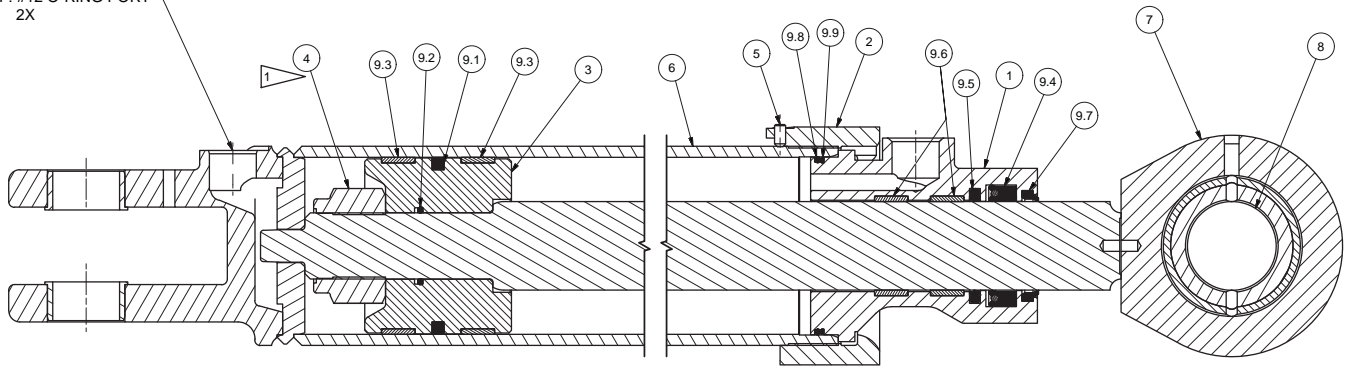


Cylinder Assembly; Steering



REF: #12 O-RING PORT  
2X



**NOTES:**

1 APPLY BLUE LOCTITE 242 AND TORQUE TO 1,400 FT-LBS

**SECTION A-A**

Item	Part No.	Qty	Description	Item	Part No.	Qty	Description
	<b>593796</b>		<b>Cylinder Assembly; Steering</b>				
1	591504	1	. Packing Gland	9	593802	1	. Kit, Packing
2	505632	1	. Nut, Packing	9.1	593546	1	.. Seal, Piston
3	593786	1	. Piston, Cylinder	9.2	203446	1	.. O-Ring
4	00274213	1	. Nut, Esna	9.3	70384.0400	2	.. Wear Ring, Piston
5	00102572	1	. Set Screw	9.4	Y437152.129	1	.. Seal
6	593803	1	. Weldment, Barrel & Base	9.5	69768.0200	1	.. Seal, Buffer
7	569851	1	. Stem & Eye Assembly	9.6	70385.0200	2	.. Wear Ring, Rod
8	204502	1	.. Bearing, Spherical	9.7	234593	1	.. Wiper Ring
				9.8	92482W	1	.. O-Ring
				9.9	206309	1	.. Backup Ring