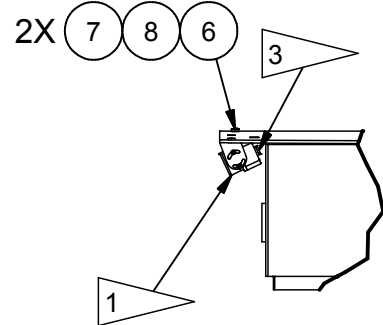
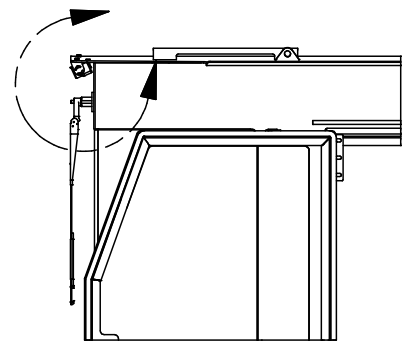
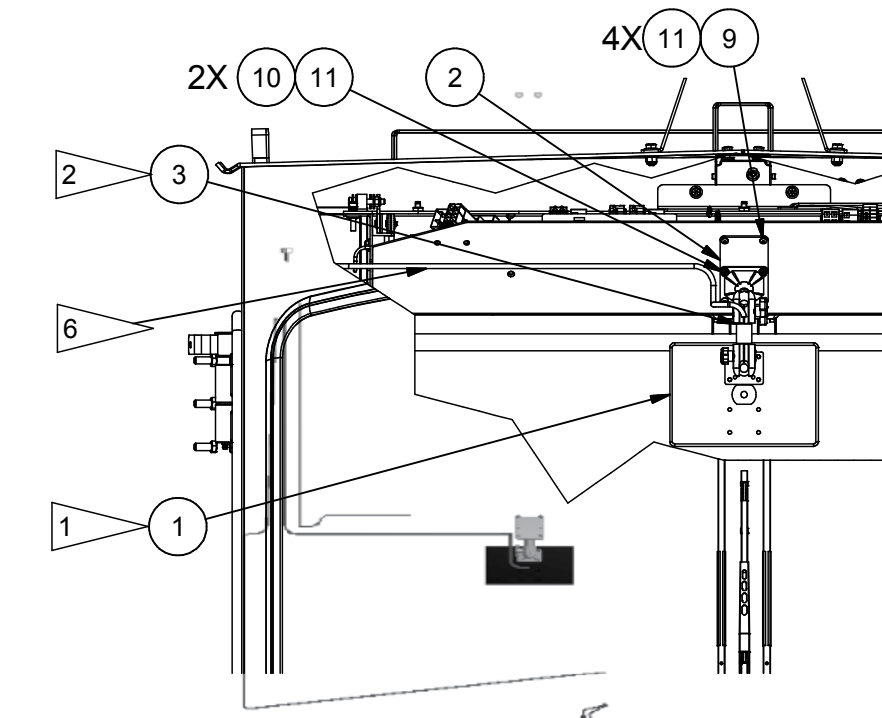
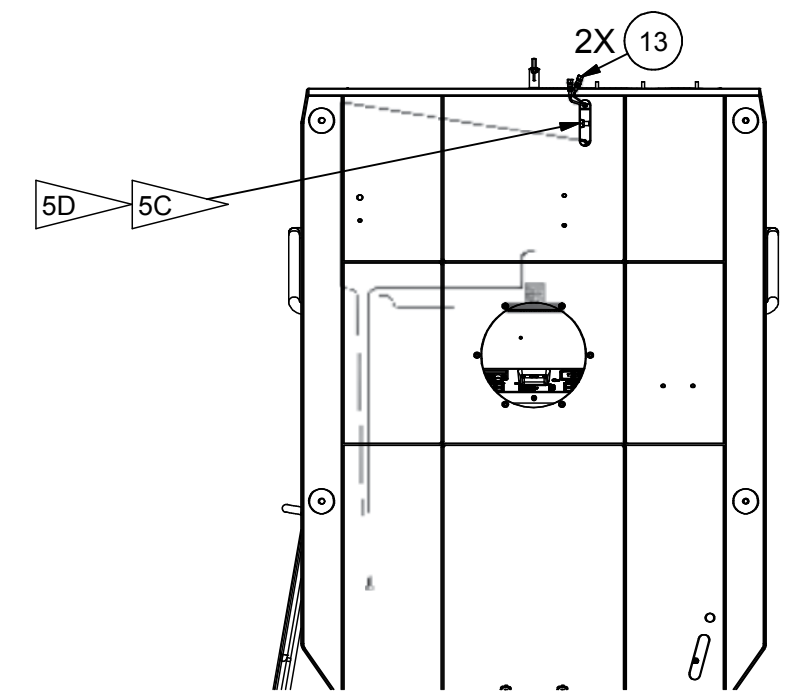
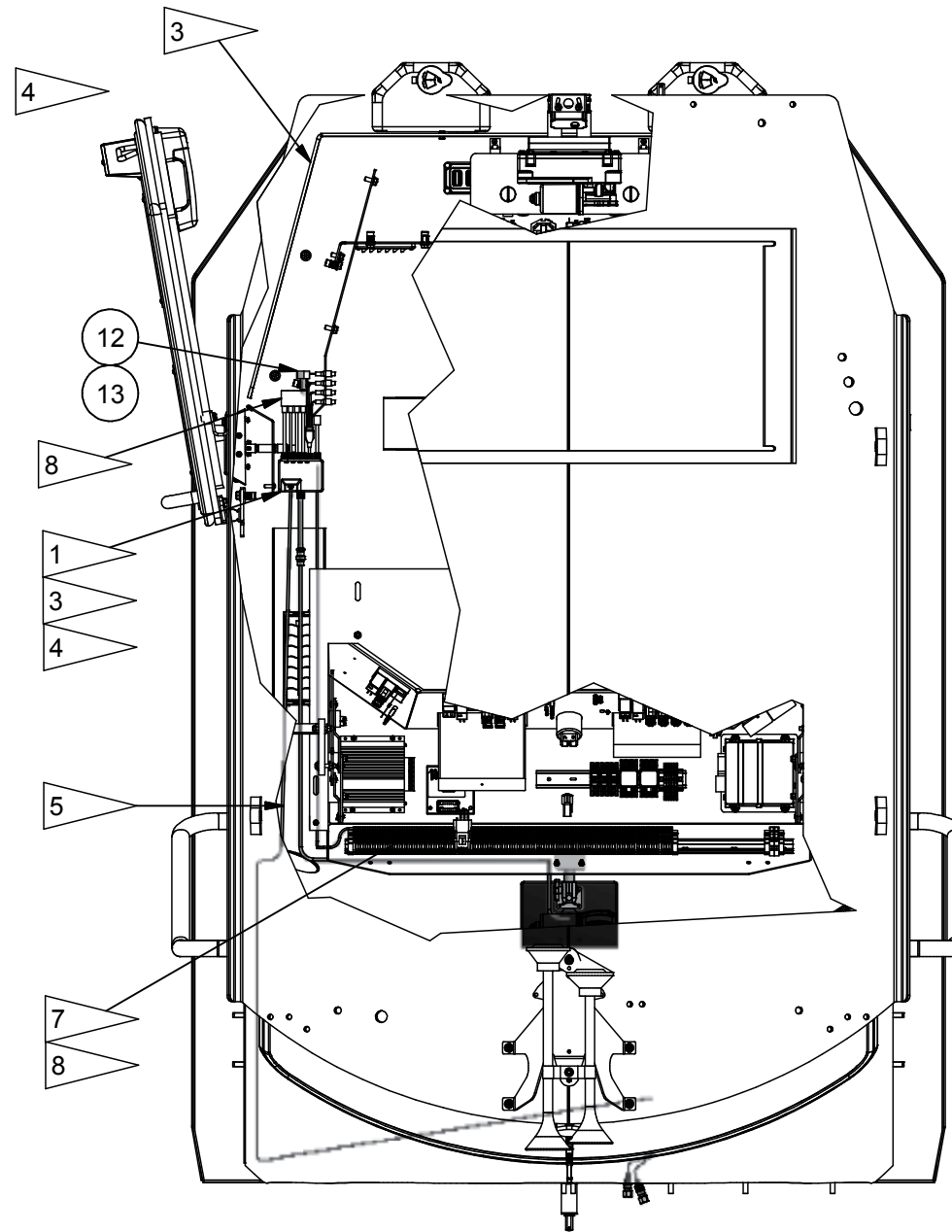

Camera Installation, Cab

Camera Installation, Cab

Item	Part No.	Qty	Description	Item	Part No.	Qty	Description
	593317		Camera Installation, Cab				
1	907053	1	. Camera/Monitor	7	R13811189	2	. Locknut
2	591825	1	. Plate, Mounting	8	221763W	2	. Washer
3	591879	1	. Bracket, Mounting	9	Y25G-(1024)10	4	. Capscrew
4	242601	10	. Cable Tie	10	Y09G-(1024)08	2	. Capscrew
5	593346	10	. Mount, Blk	11	R13809543	6	. Locknut
6	18460W	2	. Capscrew	12	593450	1	. Adapter, Mini Din 4-Pin
				13	591557	2	. Cable, Camera



DETAIL A



- NOTES:**
- 1 CAMERA KIT COMES WITH CAB CAMERA, POWER HARNESS, MONITOR, 4" DISPLAY STAND, AND 66' CABLE. CABLE AND STAND ARE NOT USED.
 - 2 MOUNTING HARDWARE FROM 4" DISPLAY STAND IS REQUIRED FOR 6" DISPLAY STAND.
 - 3 ROUTE REAR CAMERA CABLE FIRST TO FIND SUITABLE LOCATION FOR POWER HARNESS. CONNECT CAMERA TO CA1 INPUT ON POWER HARNESS.
 - 4 ADHESIVE MOUNTS SECURE POWER HARNESS TO OVERHEAD DUCT.
 - 5 A) FRONT CAMERA CABLES PLUG INTO CA2 AND CA3 INPUTS.
B) LABEL UNPLUGGED END OF CABLE WITH RESPECTIVE INPUT
C) FRONT CAMERA CABLES ROUTE FROM RH AIR DUCT, DOWN RH A-PILLAR.
D) COIL EXCESS CABLE UNDER DASH.
E) CABLES EXIT OUT FRONT OF CAB WITH HEATER/COOLANT HOSES.
F)***3 FT OF CABLE IS REQUIRED FROM CAB EXIT TO COMPLETE NEXT INSTALLATION LEVEL ***
G) CABLE ROUTES BETWEEN CAB AND SUPERSTRUCTURE.
 - 6 ADHESIVE CABLE TIE MOUNTING PADS SECURE MONITOR CABLE TO OVERHEAD CONSOLE
 - 7 POWER HARNESS ROUTES TO OVERHEAD CONSOLE TERMINAL BLOCKS.
 - 8 REFER TO ELECTRIC SCHEMATIC FOR ELECTRICAL CONNECTION DETAILS
 - 9 CONFIGURE MONITOR USING SHEET 2

CONFIGURE NOTES:
USING THE GUIDE TO THE RIGHT, CONFIGURE THE MONITOR
ONCE POWER IS APPLIED.

SET THE CAM2 AND CAM 3 TO MIRROR

SET LOGO TO OFF

SET TRIGGER 3 TO CAM3/CAM2 SPLIT

SET CAM 2 AND CAM 3 NAME TO FRONT

11) POWER CABLE

Connect the RED wire to the (10-32VDC) positive + power terminal which is energized with the ignition key in the accessory position.
Connect the BLACK wire to a metal point on the car or negative battery post.
Connect the GREEN wire to the switched positive +power output terminal of the "R" (reverse)gear.
Connect the WHITE wire to the switched positiver +power output terminal of CA2.
Connect the BLUE wire to the switched positiver +power output terminal of CA3.
Connect the BROWN wire to the switched positiver +power output terminal of CA4.

Cable Color	Description
Red	Positive power (DC 10V ~ 32V)
Black	Ground
Green	R(reverse) gear power(DC 10V ~32 V)
White	Trigger 2 power(DC 10V ~32 V)
Blue	Trigger 3 power(DC 10V ~32 V)
Brown	Trigger 4 power(DC 10V~32 V)

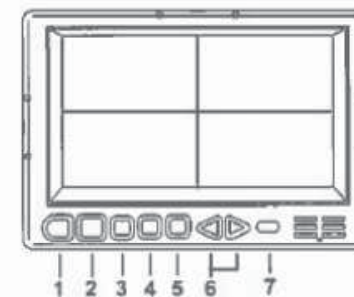
3 . OSD Picture

How to go to OSD Menu Mode

♣ Press the power 1 button to enter the Menu mode.

- 1) press the button 4, 5 to select the Menu page =>
- 2) Press the button 6 to enter the page =>
- 3) Press the button 4, 5 to select the function=>
- 4) Press the button 6 to change the function.
- Press the button 1 to return to the previous page.

MONITOR



[MENU PAGE] 1

FUNCTION	
LANGUAGE	ENGLISH
SYSTEM	NTSC/PAL
DIRECTION	0 / 180 °
DIMMER	1(2,3,4,5,OFF)
AUTO POWER	ON
LOGO SET	▶
AV OUTPUT	LIVE/QUAD
SHUTTER	ON
RESET	▶

[MENU PAGE] 2

PICTURE	
CONTRAST	15
BRIGHTNESS	15
COLOR	15
TINT	15

[MENU PAGE] 3

NOR/MIR	
CAM1	NORMAL
CAM2	NORMAL
CAM3	NORMAL
CAM4	NORMAL
ALL	NORMAL

[MENU PAGE] 4

UP/DOWN	
CAM1	UP
CAM2	UP
CAM3	UP
CAM4	UP
ALL	UP

[SETTING PAGE]

LOGO	
LOGO	ON
LOGO TIME	3(2~20)
OSD	ON

[MENU PAGE] 5

TRIGGER	
REAR SCALE	ON
BLINK MARK	ON
TRIG 1	CAM1
TRIG 2	CAM3/CAM2
TRIG 3	2PIP
TRIG 4	3PIP
HAZARD	QUAD

[MENU PAGE] 6

CAMERA NAME	
CAM1	REAR
CAM2	RIGHT
CAM3	LEFT
CAM4	FRONT

[MENU PAGE] 7

CAM MODUS	
QUAD	ON
3PIP	ON
2PIP	ON
3SPLIT	ON
CAM3/2 SPLIT	ON
CAM4/1 SPLIT	ON

[MENU PAGE] 8

SCAN	
AUTO SCAN	ON
SCAN KEY	ONE
CAM1	3
CAM2	3
CAM3	3
CAM4	3

[MENU PAGE] 9

REAR SCALE ADJ	
STOP	REAR