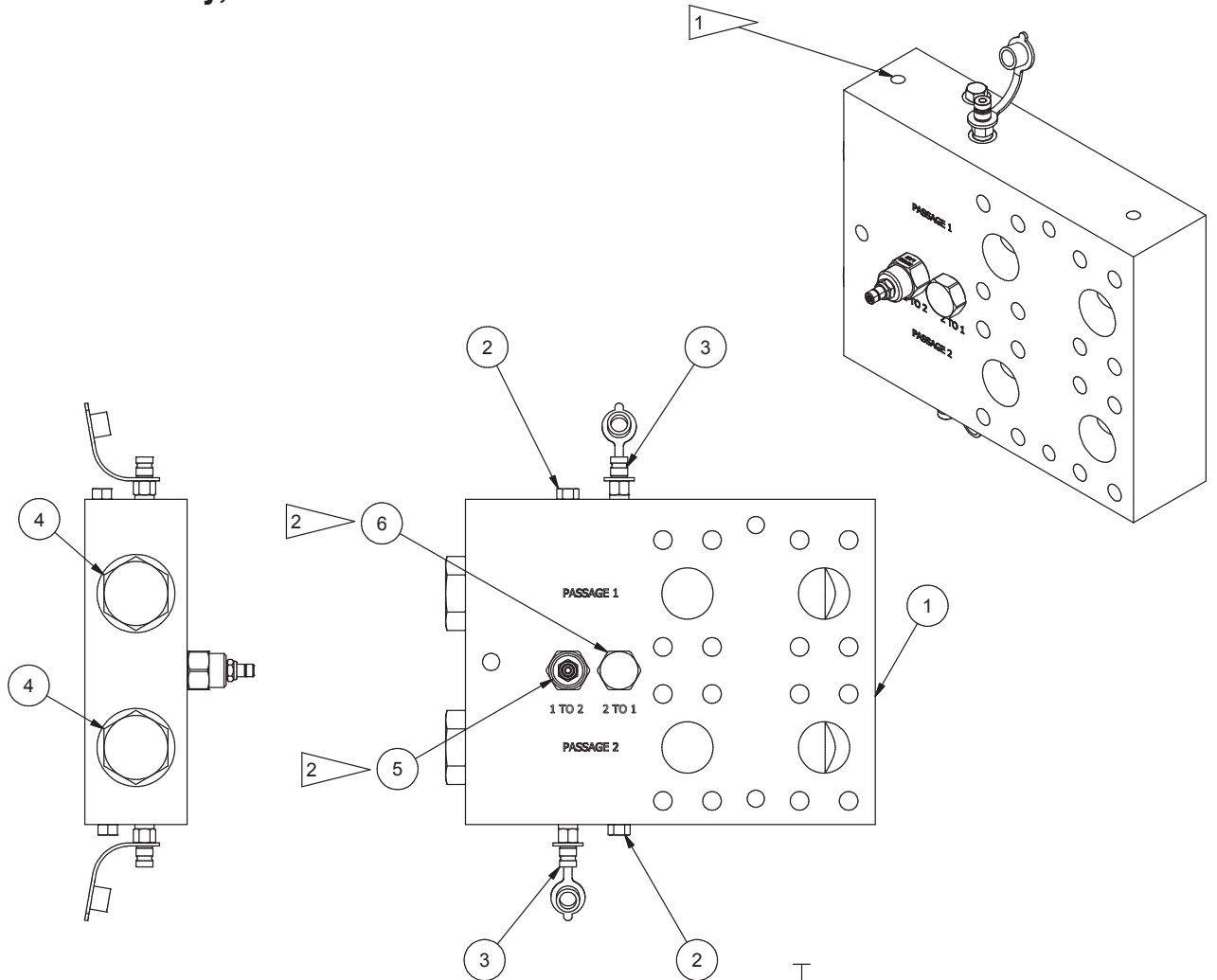
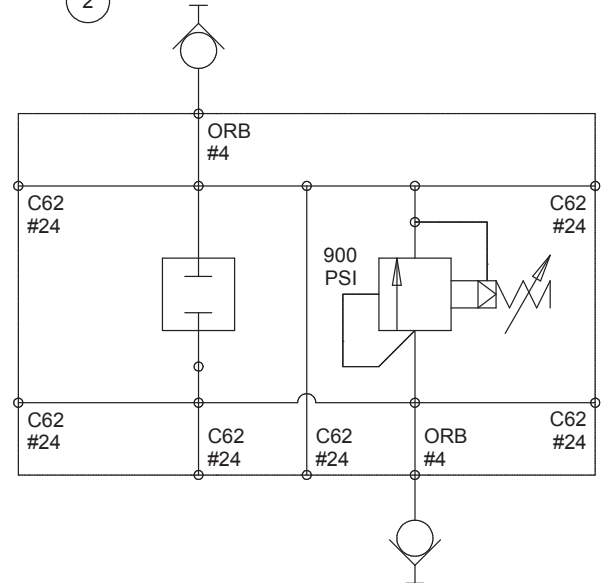


Manifold Assembly, Tilt



NOTES:

- 1 2X 1/2-13UNC-2B 1 HOLES FOR LIFTING
- 2 TORQUE TO 30-35 FT-LBS



Item	Part No.	Qty	Description	Item	Part No.	Qty	Description
	592311		Manifold Assembly, Tilt				
1	592312	1	. Manifold, Tilt	5	234481-0900	1	. Cartridge, Valve
2	209423	2	. Fitting	6	256462	1	. Plug, Cavity
3	R14040	2	. Coupler, Male		251170	1	.. Seal Kit
4	209139	2	. Fitting				

Intentionally Left Blank