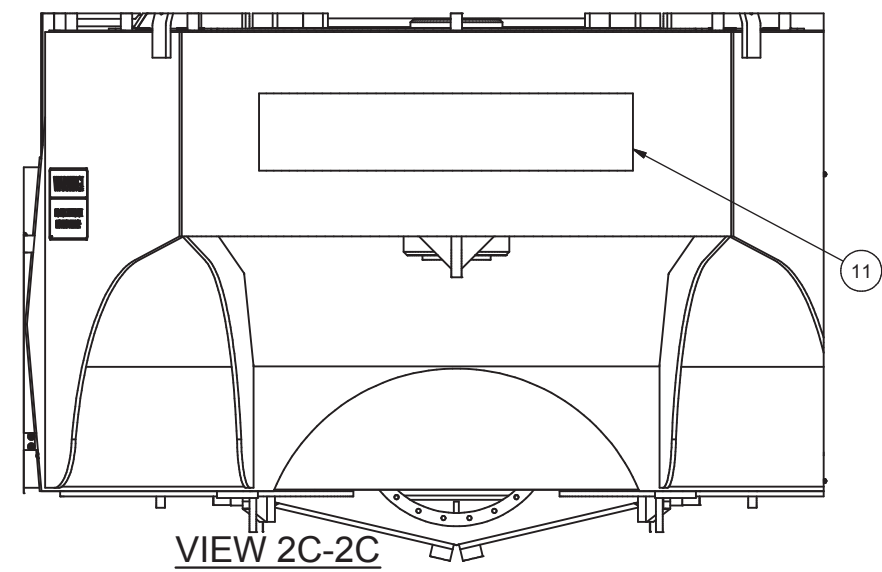
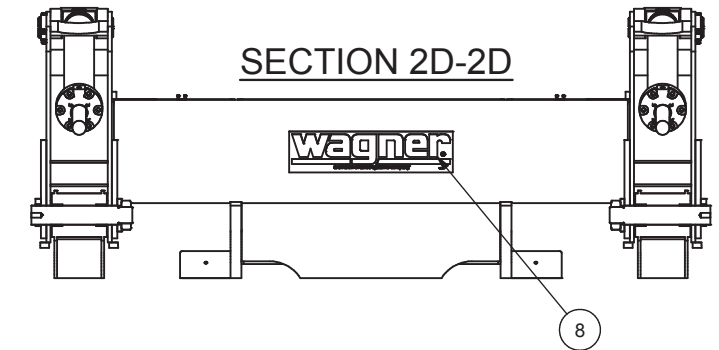
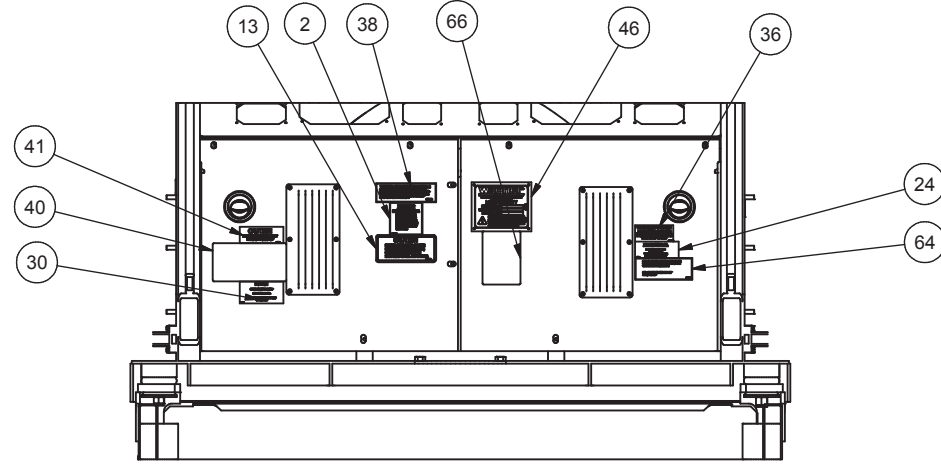
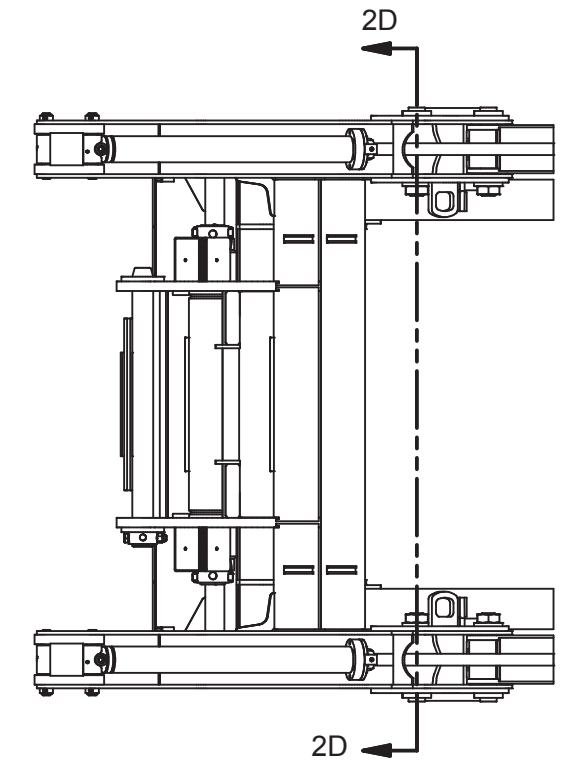
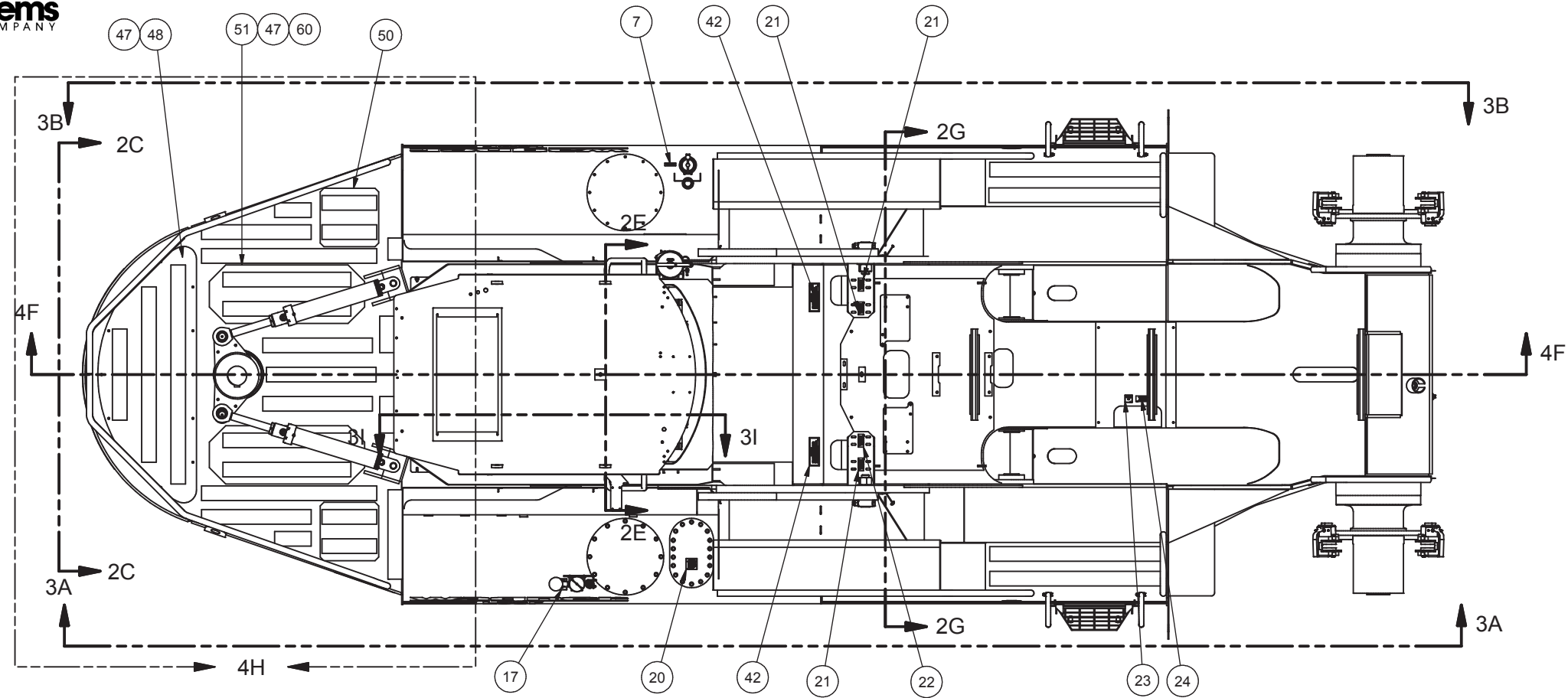


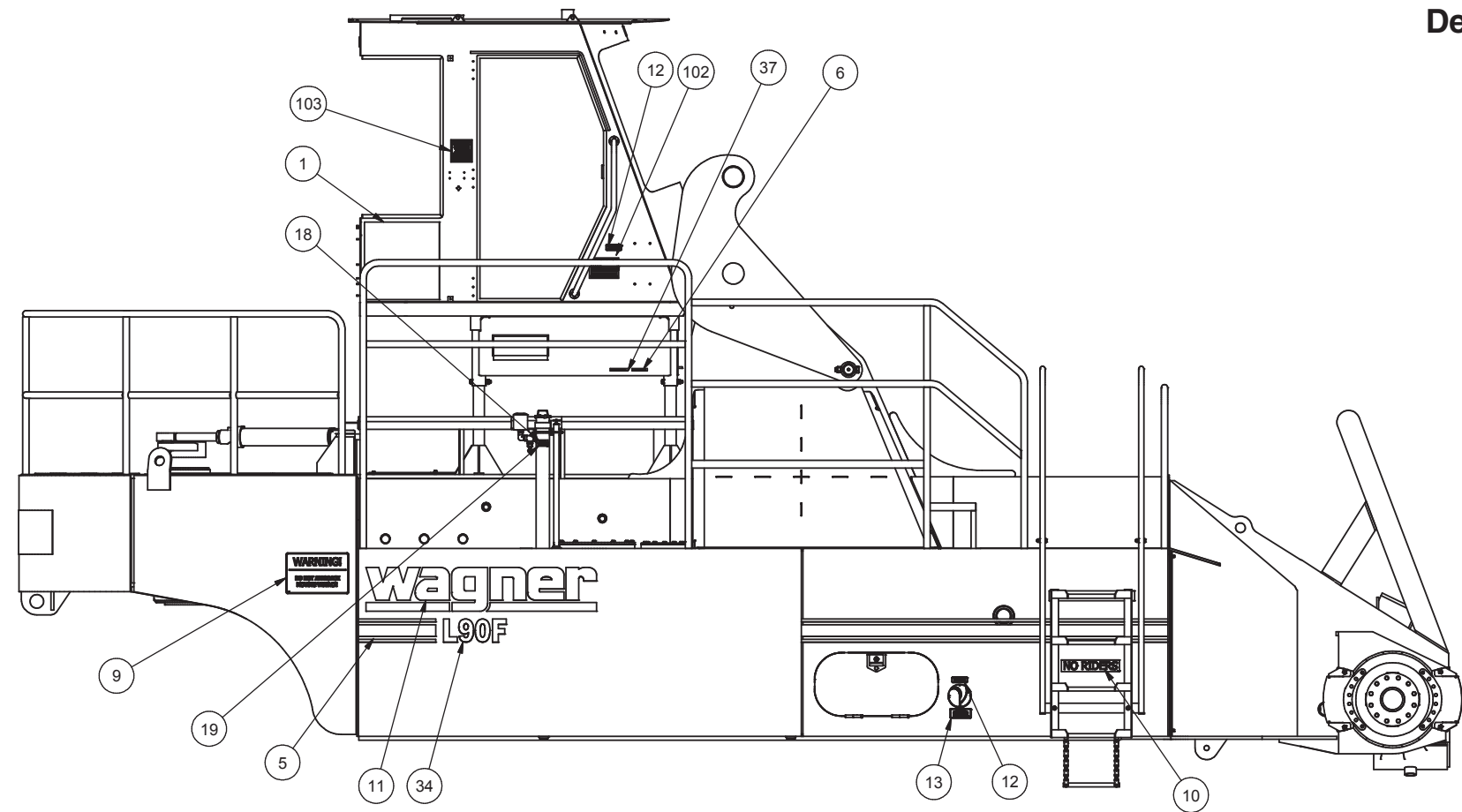
---

Decal Locations

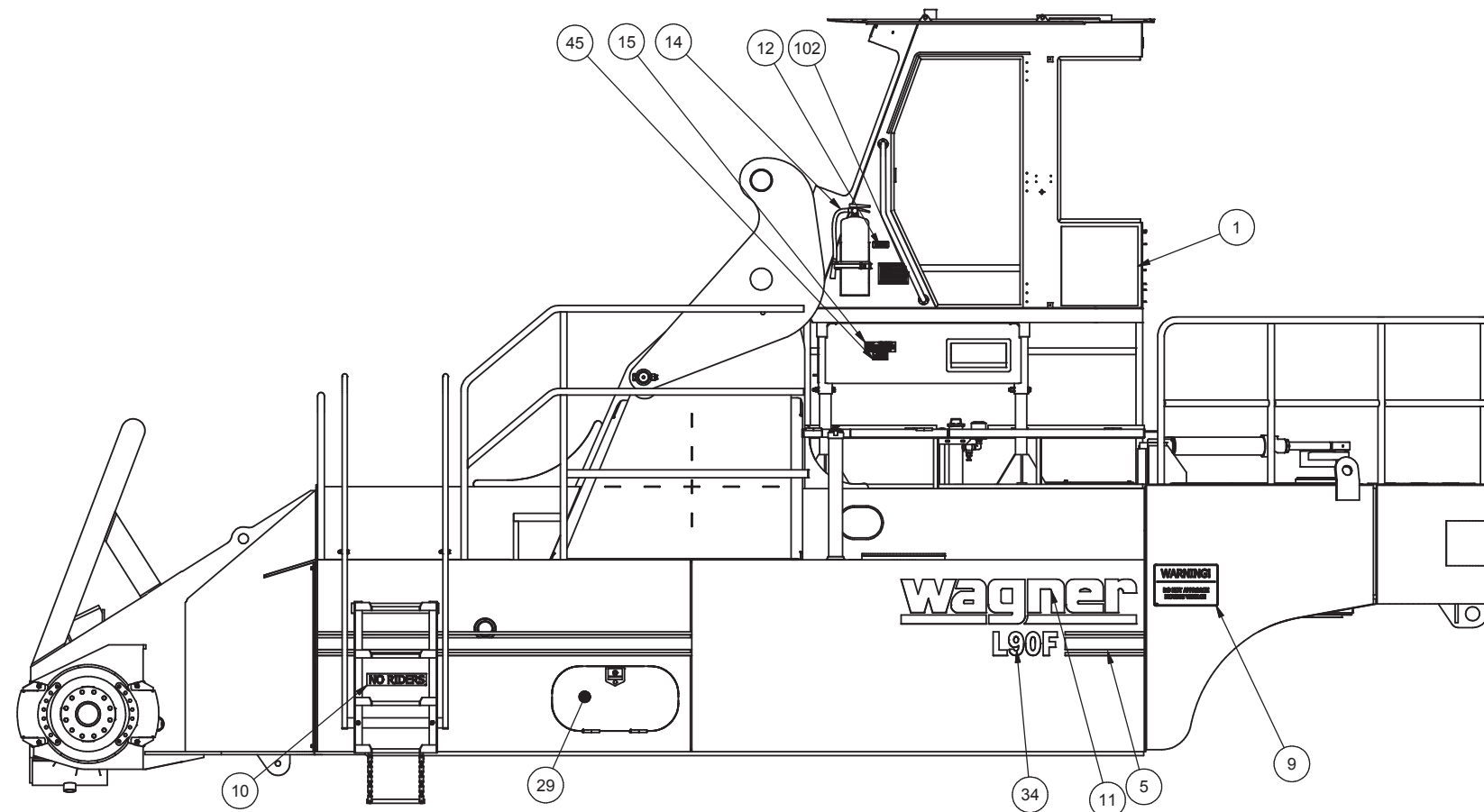
## Decal Locations

Item	Part No.	Qty	Description	Item	Part No.	Qty	Description
	<b>592209</b>		<b>Finish/Decals Location</b>	62	243000	2GL	. Paint, White Alkyd Enamel
1	593905	2	. Decal; Logger W/Log	63	219374	35LB	. Oil, Grease
2	557352	1	. Decal; Pressurized Breather	64	583564	2	. Decal; Strainer Element
3	219382	1RL	. Tape, Non-Skid	65	561587	48	. Shipping Plate
4	244353	2GL	. Paint, Flat Black	66	223061	1	. Decal; Warning Voltage
5	529474	50'	. Decal; Racing Stripe	67	235720	70GL	. Lubricant, Gear
6	563640	1	. Decal; Oil Fill	68	1321665W	2	. Decal - Warning
7	504195	1	. Nameplate; Diesel Fuel	69	587641	2	. Cover Plate
8	558506	1	. Decal; Wagner	70	587642	2	. Seal, Cover
9	547451	2	. Decal; Warning	71	18619W	4	. Capscrew
10	547453	2	. Decal; No Riders	72	587058	1	. Label; Implement Pump Inlet
11	590995	3	. Decal; Wagner	73	587059	1	. Label; Steering Pump Inlet
12	539197	4	. Decal; Fire Extinguisher	74	587060	1	. Label; Tilt Pump Inlet
13	539226	2	. Decal; Fire Extinguisher	75	587061	1	. Label; Radiator Fan Pump
14	582769	1	. Fire Extinguisher Install, W/Brkt	76	587062	1	. Label; Tilt Pump Pressure
15	558098	1	. Plate	77	587065	1	. Label; Radiator Fan Pump Press.
16	243274	1	. Valve, Hi-Press	78	587066	1	. Label; Implement Pump Press.
17	560276	1	. Decal; Tank Pressure	79	587067	1	. Label; Steering Pump Pressure
18	504197	1	. Nameplate; Hydraulic Oil	80	587068	1	. Label; Brake Pump Pressure
19	561918	1	. Decal; Strainer	81	587069	1	. Label; Orbitrol Supply Pressure
20	557353	1	. Decal; Filter Pressure	82	587070	1	. Label; Brake System Pressure
21	587606	3	. Decal; Element	83	587071	1	. Label; Pilot System Pressure
22	587607	1	. Decal; Filter Element	84	587072	1	. Label; Brake Cooling Inlet
23	557118	1	. Decal; Trans Oil Fill	85	587073	1	. Label; Brake Cooling Return
24	528880	2	. Decal; Trans Oil Level	86	587090	1	. Label; Steering Filter
25	579532	1	. Decal; Replace Element	87	587091	1	. Label; Main Filter
26	243458	2	. Element, Filter	88	587092	1	. Label; Brake/Pilot Filter
28	247429	2	. Element	89	587093	1	. Label; Hyd Cool Fan Filter
29	557494	1	. Decal; Battery Disconnect	90	587094	1	. Label; Rad/Cac Fan Filter
30	505158	1	. Decal; Trans Instruction	91	587095	1	. Label; Transmission Pressure
32	587384	1	. Element, Filter	92	587096	1	. Label; Converter In Pressure
33	236077	10GL	. Oil, Engine	93	587097	1	. Label; Converter Out Pressure
34	590998	2	. Decal; L90F	94	587098	1	. Label; Strainer In Pressure
36	587608	1	. Decal; Trans Operation	95	587099	1	. Label; Strainer Out Pressure
37	563641	1	. Decal; Oil Check	96	587100	1	. Label; Trans Lube Pressure
38	557341	1	. Decal; Warning	97	587101	1	. Label; Foward Clutch Pressure
40	592855	1	. Decal; Wheel Nuts	98	587102	1	. Label; Reverse Clutch Pressure
41	504204	1	. Decal; Caution, Do Not Reverse	99	587103	1	. Label; Return Filter
42	560278	2	. Decal; Caution, Baffle Plate	100	587104	1	. Label; Transmission Filter
43	238206	550GL	. Oil, Hydraulic	101	587105	1	. Label; Transmission Strainer
44	238206	20GL	. Oil, Hydraulic	102	FD70000434	2	. Decal; Manuf In USA
45	906581	1	. Decal; Emission Control Info	103	586693	1	. Nameplate, FOPS
46	587028	1	. Nameplate; Load Capacity	105	591654	1LB	. Grease
47	542918	7000LB	. Ballast Weight	106	246089	2GL	. Paint, Freeman White Acrylic
48	563463	1	. Ballast Arrgt	107	593683	16	. Bucket, W/Lid
49	246090	30GL	. Paint, Yellow Primer	108	R13804188	7	. Fitting
50	516699	2	. Plate,Cover	109	209138	9	. Fitting
51	541869	2	. Plate,Cover	110	R13804189	1	. Fitting
52	222737	2TB	. Sealer, Edge	111	564451	4	. Shipping Plate
53	558533	1	. Wrench, Fire Extinguisher	112	64234	4	. Shipping Plate
54	221340	20GL	. Anti-Freeze	113	64233	8	. Shipping Plate
55	228041	1	. Coupler, Female	114	561587	8	. Shipping Plate
56	231135	1	. Gauge, Pressure				
57	537788	1	. Wrench, Spindle Nut				
58	219373	220GL	. Oil, Diesel Fuel				
59	587386	3	. Element, Filter				
60	589178	12000LB	. Ballast				
61	242997	40GL	. Paint, Yellow Finish				





VIEW 3A-3A

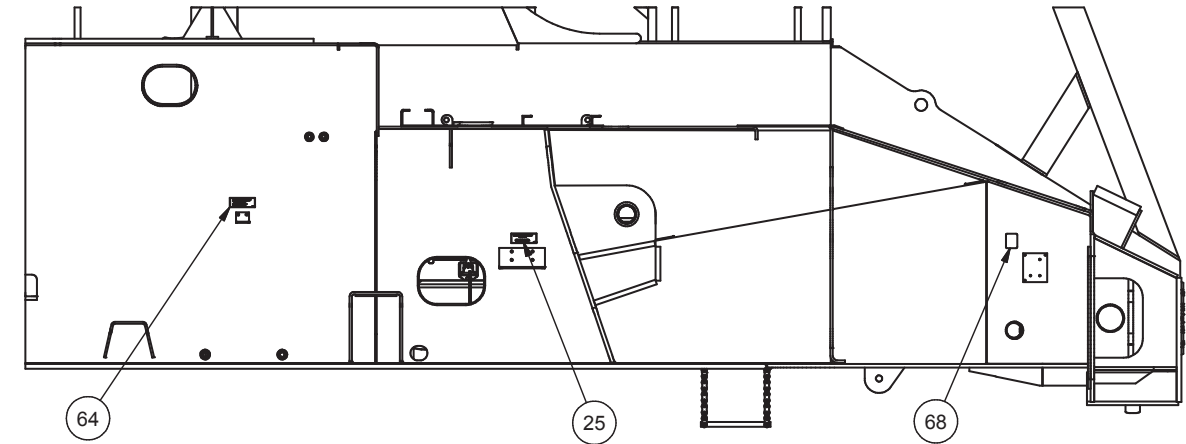
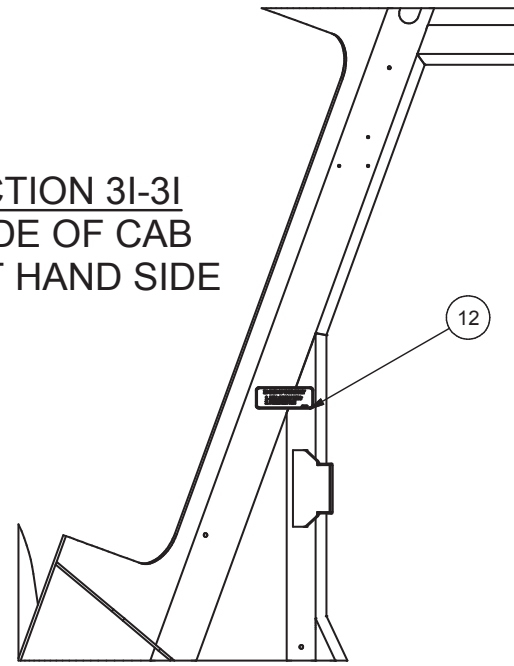


INSTALL INSIDE BATTERY  
COMPARTMENT NEAR  
DISCONNECT SWITCH

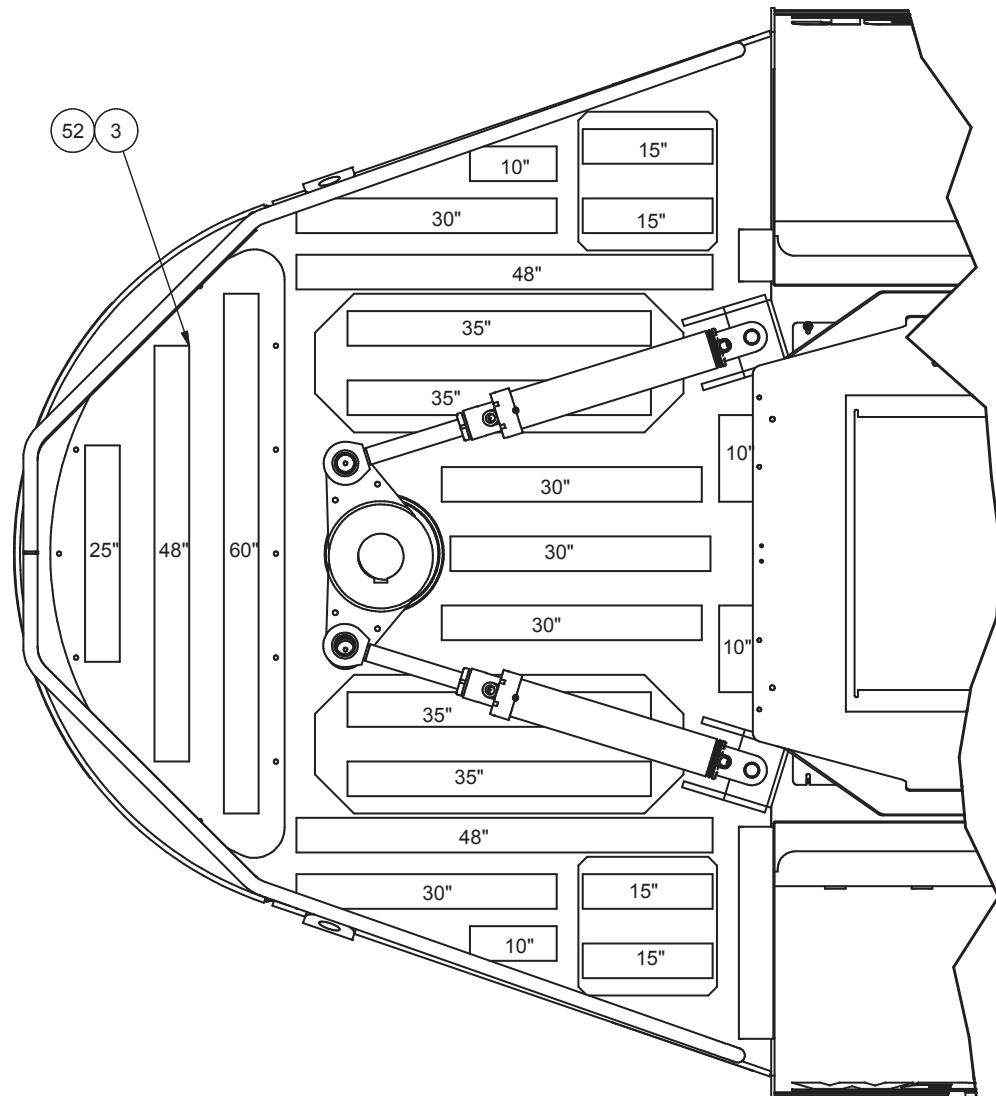
VIEW 3B-3B

FF

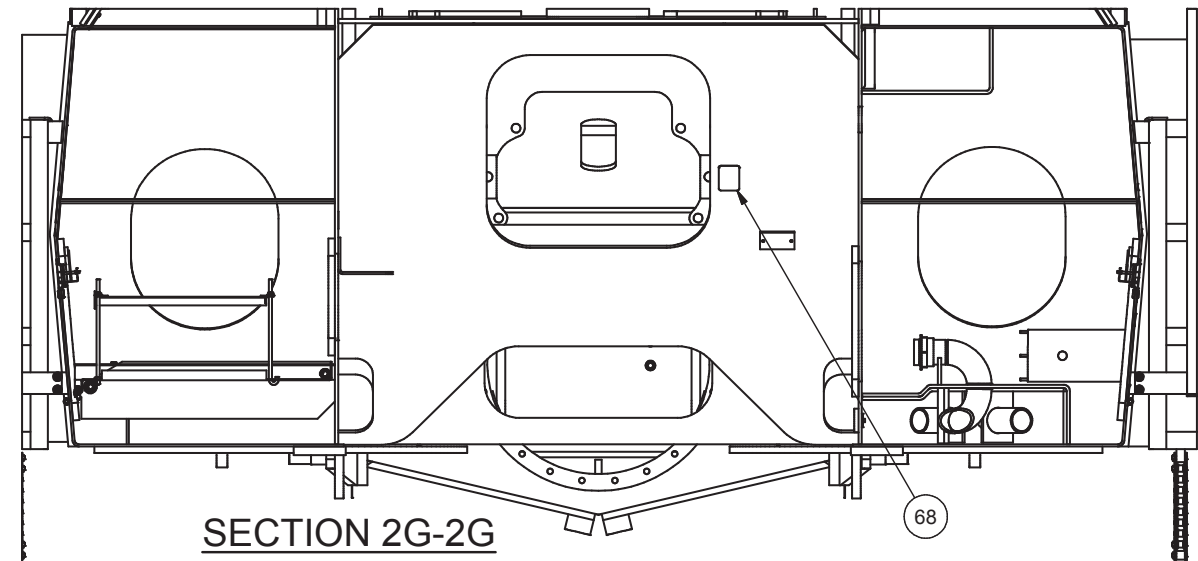
SECTION 3I-3I  
INSIDE OF CAB  
RIGHT HAND SIDE



SECTION 4F-4F



DETAIL 4H



SECTION 2G-2G