
Carriage Assembly W/Auxiliary Arms

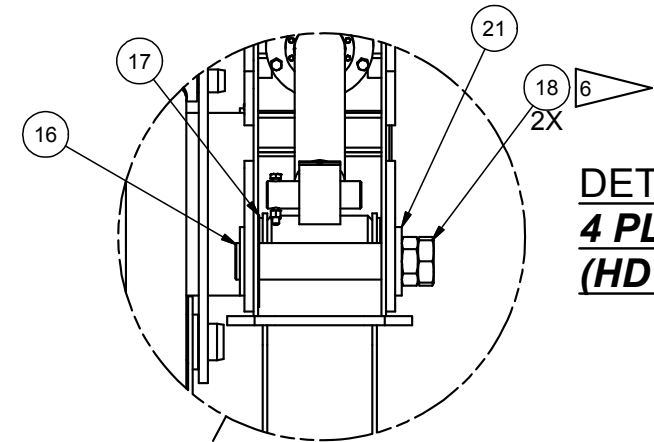
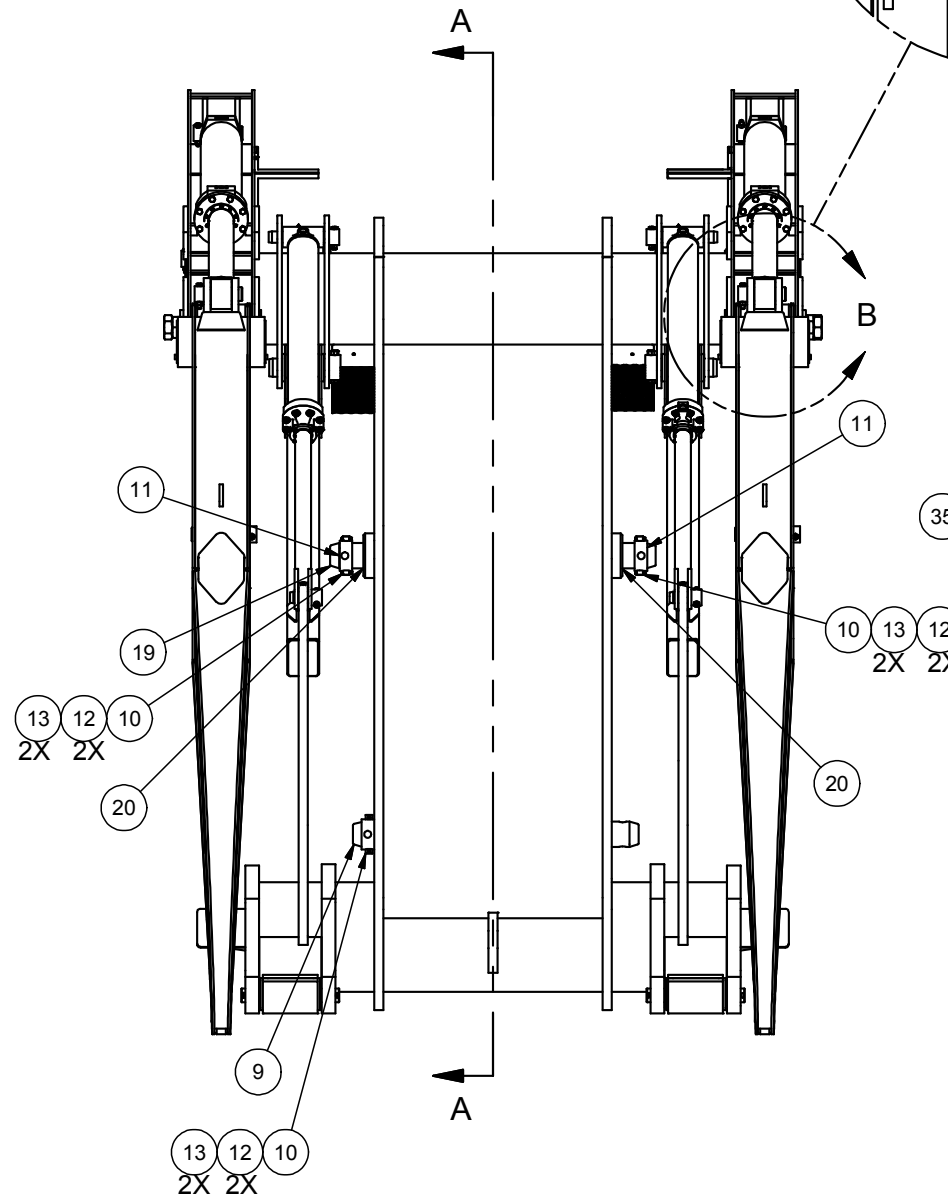
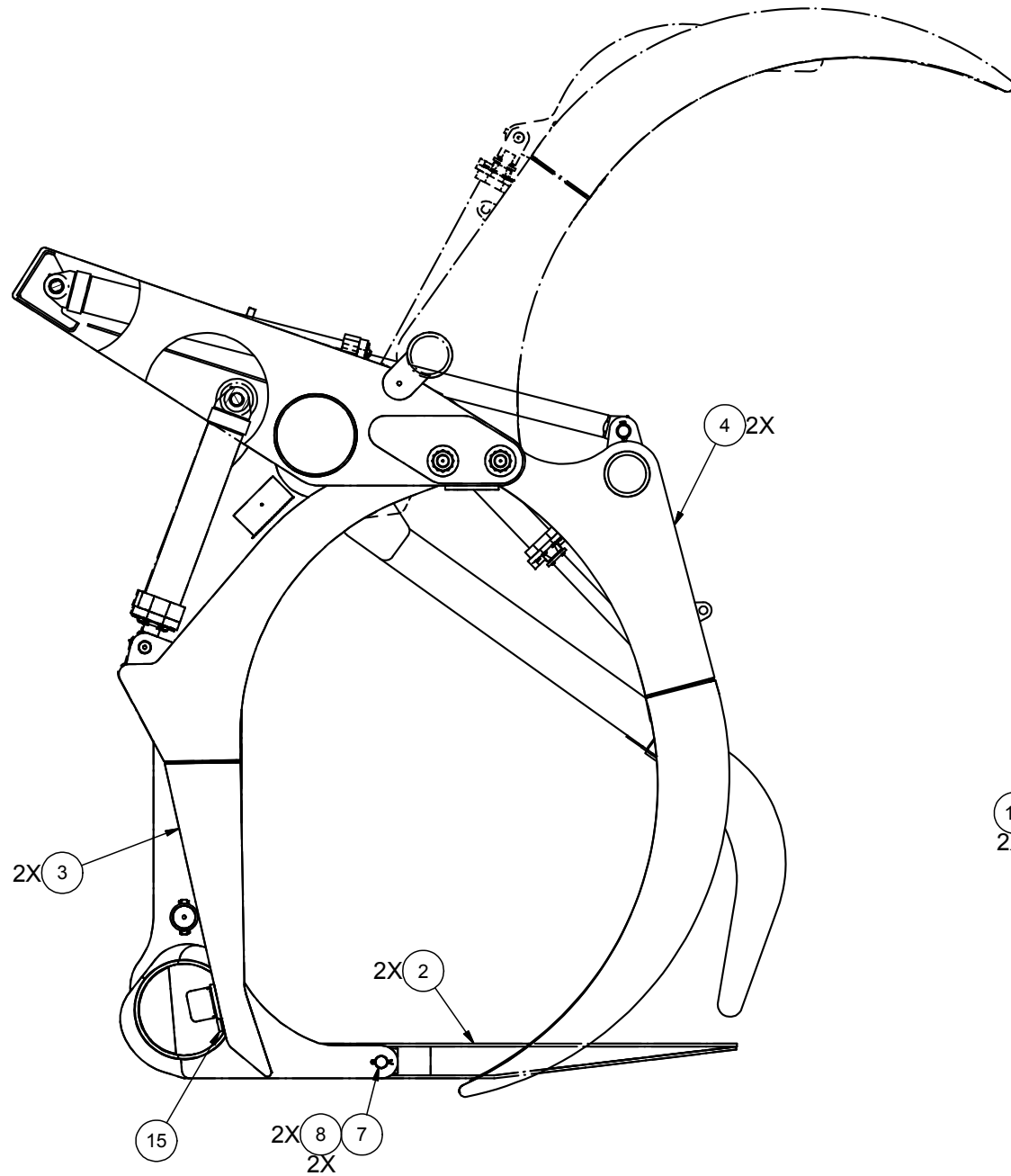
Carriage Assembly W/Auxiliary Arms

Item	Part No.	Qty	Description	Item	Part No.	Qty	Description
	592063		Carriage Assembly, W/Aux Arms				
1	592062	1	. Carriage, W/Aux Mnts	17	550986	4	. Shim
2	561110	2	. Tine	18	219928	8	. Jam Nut
3	572015	2	. Kickoff	19	576544	1	. Pin
	534117	2	. Bushing	20	561170	2	. Bushing
4	572016	2	. Holddown	21	577189	4	. Plate, Spacer
	534117	2	. Bushing	22	572137	2	. Pin
5	* 574863	2	. Cylinder Assembly	23	572138	2	. Pin
6	* 574637	2	. Cylinder Assembly	24	572139	2	. Pin
7	572136	2	. Pin	25	230681W	8	. Capscrew
8	220275	4	. Cotter Pin	26	R13811196	12	. Locknut
9	562851	1	. Pin	27	577185	2	. Pin
10	563280	3	. Pin	28	576946	2	. Holddown Arm, Aux
11	563243	2	. Lock Collar		558336	2	. Bushing
12	R13811039	6	. Capscrew	29	* 558313	2	. Cylinder Assembly, Aux HD
13	R13811191	6	. Locknut	30	558324	2	. Pin
15	563503	2	. Plate, KO Stop	31	558325	2	. Pin
16	534121	4	. Pin Assembly	32	558326	2	. Pin
				33	09430341	2	. Capscrew
				34	R13803587	2	. Locknut
				35	Y17C-1272	4	. Capscrew

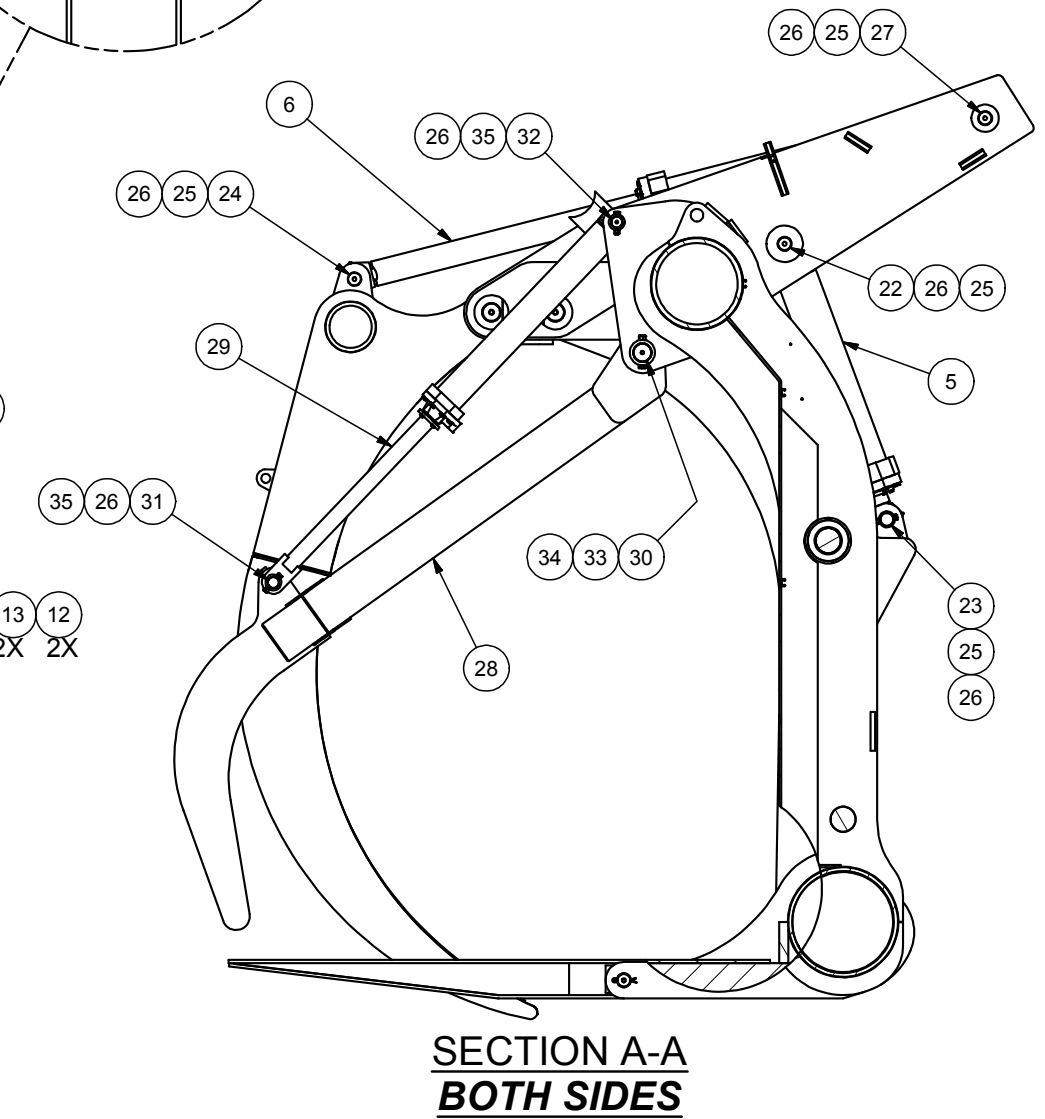
* See separate coverage

NOTES:

6: LOCATE NUTS TO THE OUTSIDE OF CARRIAGE TO PREVENT INTERFERENCE WITH HOLD DOWNS WHEN RETRACTED. TORQUE INNER NUT TO 1000 FT-LBS, TORQUE OUTER NUT TO 2000 FT-LBS.



DETAIL B
4 PLACES
(HD ARM REMOVED)



SECTION A-A
BOTH SIDES