

---

Transmission

## Transmission

| Item | Part No.       | Qty | Description                         | Item | Part No.   | Qty | Description                       |
|------|----------------|-----|-------------------------------------|------|------------|-----|-----------------------------------|
|      | <b>591989</b>  |     | <b>Transmission</b>                 |      |            |     |                                   |
| 1    | *a 204774      | 1   | . Disc Hub Snap Ring                | 75   | 00120063   | 1   | . Elbow, Street                   |
| 2    | -----          | 1   | . Input Clutch - See Page 6         | 76   | *a R238535 | 1   | . Air Breather                    |
| 3    | *a 591548      | 2   | . Ring, Seal                        | 77   | *a 217002  | 1   | . Gasket                          |
| 4    | 237295         | 1   | . Capscrew                          | 78   | *a 238093  | 1   | . Snap Ring                       |
| 5    | 228701         | 1   | . Clutch Support & Plug Assembly    | 79   | -----      | 1   | . 1st Clutch Assembly - See P. 7  |
| 6    | 234556         | 1   | . Nut                               | 80   | *a 221129  | 2   | . Clutch Support Piston Ring      |
| 9    | *a 228702      | 1   | . Bearing                           | 81   | *a 221130  | 2   | . Piston Ring Expander Spring     |
| 10   | 212358         | 1   | . Lock Ball                         | 82   | 237295     | 8   | . Screw                           |
| 11   | 228703         | 1   | . Spacer                            | 83   | 238094     | 1   | . Clutch Support and Plug Assy    |
| 12   | 216971         | 1   | . Gear                              | 84   | 240523     | 1   | . Shaft, 1st & 3rd                |
| 13   | *a 216972      | 1   | . Gasket                            | 85   | *a 228726  | 1   | . Bearing                         |
| 14   | 201567         | 1   | . Lockwasher                        | 86   | *a 212355  | 1   | . Snap Ring                       |
| 15   | 16805W         | 4   | . Capscrew                          | 87   | -----      | 1   | . Transmission Case - See Page 5  |
| 15A  | Y01C-0624      | 2   | . Capscrew                          | 88   | 217006     | 1   | . Spacer                          |
| 16   | 593960         | 1   | . Control Cover & Modulator Fwd/Rev | 89   | *a 212254  | 1   | . Washer, Flange                  |
|      | (See Page 9)   |     |                                     | 90   | *a 217008  | 1   | . Bearing                         |
| 17   | 18537W         | 6   | . Screw                             | 91   | 234556     | 1   | . Locknut                         |
| 18   | 201567         | 6   | . Lockwasher                        | 93   | 200604     | 2   | . Lockwasher                      |
| 19   | *a 15862W      | 6   | . O-Ring                            | 95   | 16830W     | 2   | . Capscrew                        |
| 21   | 216971         | 1   | . Gear                              | 96   | 227833     | 1   | . Clutch Support and Plug Assy    |
| 22   | 216977         | 1   | . Spacer                            | 97   | 237295     | 8   | . Screw                           |
| 23   | 238091         | 1   | . Shaft                             | 98   | *a 591548  | 2   | . Ring, Seal                      |
| 24   | *a 216979      | 1   | . Bearing                           | 99   | -----      | 1   | . 3rd Clutch Assembly - See P. 8  |
| 25   | *a 216980      | 1   | . Gasket                            | 100  | *a 204774  | 1   | . Snap Ring                       |
| 26   | 234559         | 1   | . Cap, Bearing                      | 101  | *a 204774  | 1   | . Snap Ring                       |
| 27   | *a 208547      | 1   | . Seal                              | 102  | -----      | 1   | . 4th Clutch Assembly - See P. 8  |
| 28   | 200604         | 4   | . Lockwasher                        | 103  | *a 591548  | 2   | . Ring, Seal                      |
| 29   | 16830W         | 4   | . Capscrew                          | 104  | 237295     | 1   | . Screw                           |
| 31   | 216795         | 1   | . Flange                            | 105  | 227833     | 1   | . Clutch Support and Plug Assy    |
| 32   | *a Y060600-325 | 1   | . O-Ring                            | 106  | 234556     | 1   | . Nut, Lock                       |
| 33   | 216983         | 1   | . Washer                            | 109  | *a 217008  | 1   | . Bearing                         |
| 34   | 245567         | 1   | . Nut                               | 110  | *a 212254  | 1   | . Washer                          |
| 36   | 16830W         | 4   | . Capscrew                          | 111  | 228716     | 1   | . Gear                            |
| 37   | 200604         | 4   | . Lockwasher                        | 112  | 228717     | 1   | . Gear                            |
| 38   | 234560         | 1   | . Cap, Bearing                      | 113  | 217006     | 1   | . Spacer                          |
| 39   | *a 216980      | 1   | . Gasket                            | 114  | *a 212355  | 1   | . Spacer                          |
| 40   | 221420         | 1   | . Nut                               | 115  | *a 228726  | 1   | . Bearing                         |
| 41   | 234561         | 1   | . Spacer                            | 116  | 238096     | 1   | . Lock Pin                        |
| 42   | *a 216979      | 1   | . Bearing                           | 117  | 240523     | 1   | . Shaft, 2nd & 4th                |
| 43   | 238091         | 1   | . Shaft                             | 118  | 238094     | 1   | . Clutch Support and Plug Assy    |
| 44   | 216977         | 1   | . Spacer                            | 119  | 237295     | 8   | . Screw                           |
| 45   | 228703         | 1   | . Spacer                            | 120  | *a 221130  | 2   | . Clutch Support Piston Ring      |
| 46   | *a 228702      | 1   | . Bearing                           | 121  | *a 221129  | 2   | . Clutch Support Piston Ring Exp. |
| 47   | 212358         | 1   | . Lock Ball                         | 123  | -----      | 1   | . 2nd Clutch Assembly - See P. 7  |
| 48   | 234556         | 1   | . Nut                               | 124  | *a 238093  | 1   | . Snap Ring                       |
| 51   | 228701         | 1   | . Clutch Support & Plug Assembly    | 127  | 00103341   | 20  | . Washer                          |
| 52   | 237295         | 8   | . Screw                             | 128  | 223217     | 20  | . Capscrew                        |
| 53   | *a 591548      | 2   | . Ring, Seal                        | 132  | 218486     | 1   | . Locknut                         |
| 54   | -----          |     | . Reverse Clutch - See Page 6       | 133  | *a 212254  | 1   | . Washer, Flange                  |
| 55   | *a 204774      | 1   | . Snap Ring                         | 134  | *a 212253  | 1   | . O-Ring                          |
| 56   | 238092         | 3   | . Bolt                              | 135  | 228722     | 1   | . Flange                          |
| 57   | 228704         | 1   | . Plate                             | 136  | 16830W     | 6   | . Capscrew                        |
| 58   | *a 228705      | A/R | . Shim                              | 137  | 200604     | 6   | . Lockwasher                      |
| 58A  | *a 228706      | A/R | . Shim                              | 138  | 217025     | 1   | . Bearing Cap & Seal              |
| 58B  | *a 228707      | A/R | . Shim                              | 139  | *a 15887W  | 1   | . O-Ring                          |
| 58C  | *a 228708      | A/R | . Shim                              | 140  | *a 212250  | 1   | . Seal                            |
| 59   | 228709         | 1   | . Gear                              | 141  | *a 217013  | 1   | . Cap, Bearing                    |
| 60   | 228710         | 1   | . Plate                             | 142  | *a 217014  | 1   | . Cone, Bearing                   |
| 61   | *a 228711      | 1   | . Cone, Bearing                     | 143  | 217015     | 1   | . Shaft                           |
| 62   | *a 228712      | 1   | . Cup, Bearing                      | 144  | 228719     | 1   | . Gear                            |
| 63   | 228713         | 1   | . Oil Baffle, Bearing               | 145  | 200622     | 2   | . Plug                            |
| 64   | 228723         | 1   | . Oil Baffle, Bearing               | 146  | 00103341   | 18  | . Washer, Belleville              |
| 65   | *a 228724      | 1   | . Cup, Bearing                      | 147  | 223217     | 18  | . Capscrew                        |
| 66   | *a 228725      | 1   | . Cone, Bearing                     | 148  | 234566     | 1   | . Oil Sump Assembly               |
| 67   | 228728         | 1   | . Shaft                             | 149  | R525293    | 2   | . Sump Magnet                     |
| 69   | 591586         | 1   | . Speed Sensor - See Page 11        | 150  | *a 217018  | 1   | . Gasket                          |
| 74   | 245568         | 1   | . Cover, 1st & 2nd Clutch           | 151  | 16379W     | 3   | . Screw                           |

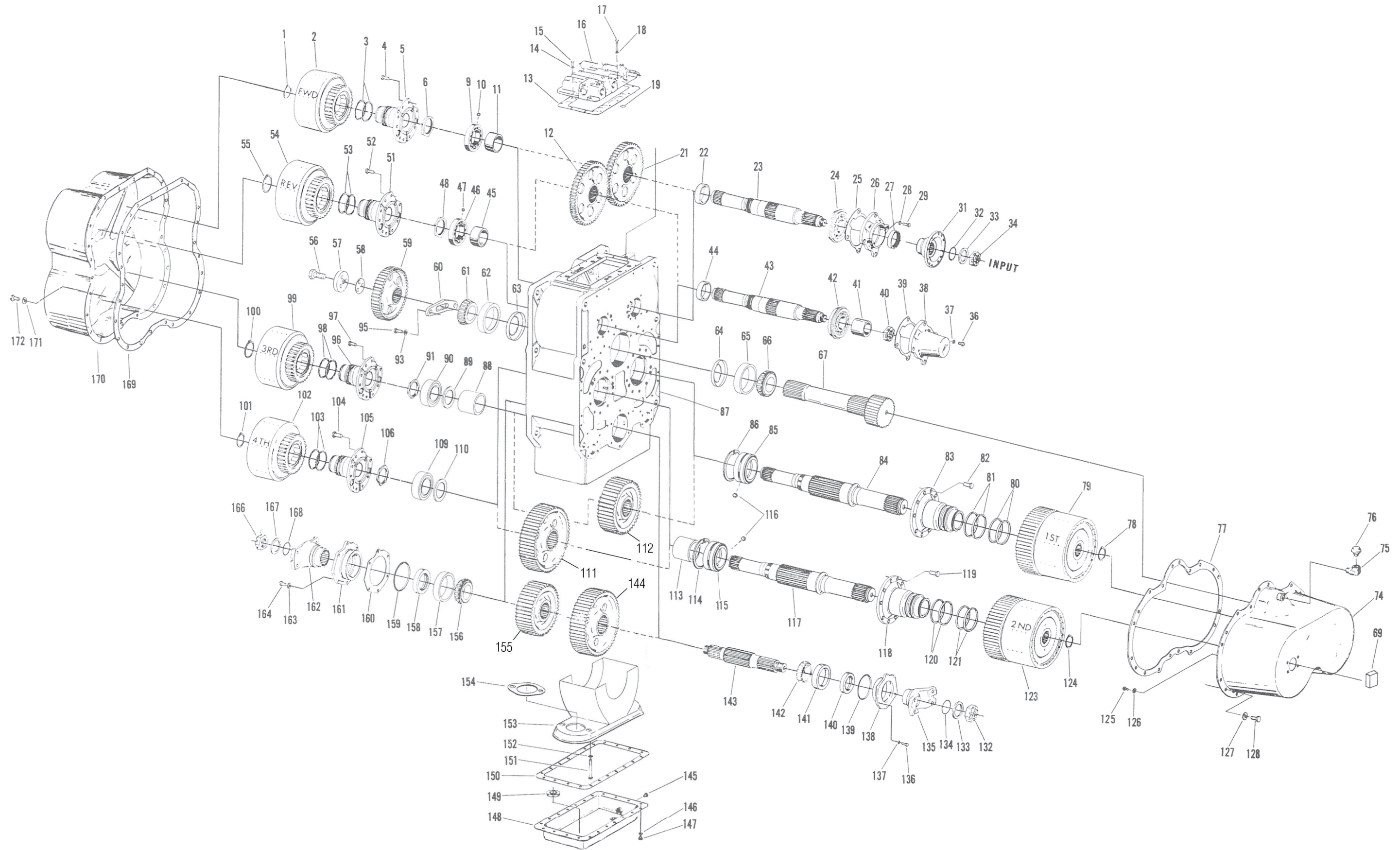
## Transmission

| Item | Part No.  | Qty | Description                     | Item | Part No. | Qty | Description |
|------|-----------|-----|---------------------------------|------|----------|-----|-------------|
| 152  | 201567    | 3   | . Lockwasher                    |      |          |     |             |
| 153  | 228720    | 1   | . Oil Sump Frame & Screen Assy  |      |          |     |             |
| 154  | *a 214778 | 1   | . Gasket                        |      |          |     |             |
| 155  | 228718    | 1   | . Gear                          |      |          |     |             |
| 156  | *a 217014 | 1   | . Bearing Cone                  |      |          |     |             |
| 157  | *a 217013 | 1   | . Bearing Cup                   |      |          |     |             |
| 158  | *a 212250 | 1   | . Seal                          |      |          |     |             |
| 159  | *a 15887W | 1   | . O-Ring                        |      |          |     |             |
| 160  | *a 217022 | A/R | . Shim                          |      |          |     |             |
| 160A | *a 217023 | A/R | . Shim                          |      |          |     |             |
| 160B | *a 217024 | A/R | . Shim                          |      |          |     |             |
| 161  | 217025    | 1   | . Brg Cap & Oil Seal - Inc. 158 |      |          |     |             |
| 162  | 228722    | 1   | . Flange                        |      |          |     |             |
| 163  | 200604    | 6   | . Lockwasher                    |      |          |     |             |
| 164  | 16830W    | 6   | . Capscrew                      |      |          |     |             |
| 166  | 218486    | 1   | . Nut                           |      |          |     |             |
| 167  | *a 212254 | 1   | . Washer, Flange                |      |          |     |             |
| 168  | *a 212253 | 1   | . O-Ring                        |      |          |     |             |
| 169  | *a 217027 | 1   | . Gasket                        |      |          |     |             |
| 170  | 228700    | 1   | . Clutch Cover                  |      |          |     |             |
| 171  | 00103341  | 26  | . Lockwasher                    |      |          |     |             |
| 172  | 223217    | 26  | . Screw                         |      |          |     |             |
| 186  | 216975    | 1   | . Dipstick                      |      |          |     |             |
| 186A | 217527    | 1   | . Dipstick Housing              |      |          |     |             |
| 187  | 214768    | 1   | . Cap, Pipe                     |      |          |     |             |
| 188  | 214769    | 1   | . Fitting                       |      |          |     |             |
|      | NI 209512 | 2   | . Pipe Plug                     |      |          |     |             |
|      | NI 211265 | 1   | . Pipe Plug                     |      |          |     |             |
|      | NI 209133 | 1   | . Fitting, Plug                 |      |          |     |             |
|      | NI 205722 | 1   | . Pipe Plug                     |      |          |     |             |

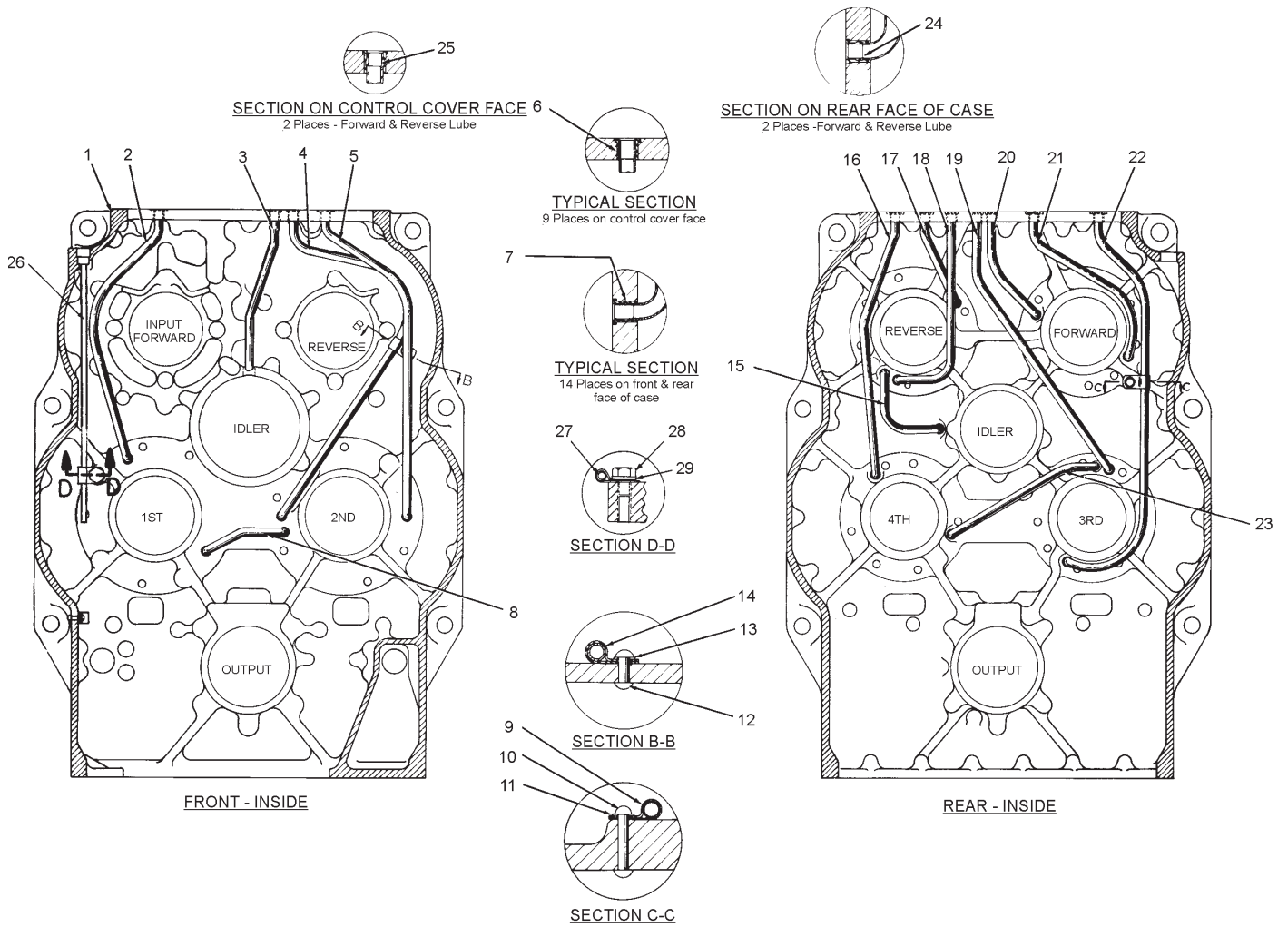
\*a Included in 587623 Service Kit

A/R As Required

NI Not Illustrated



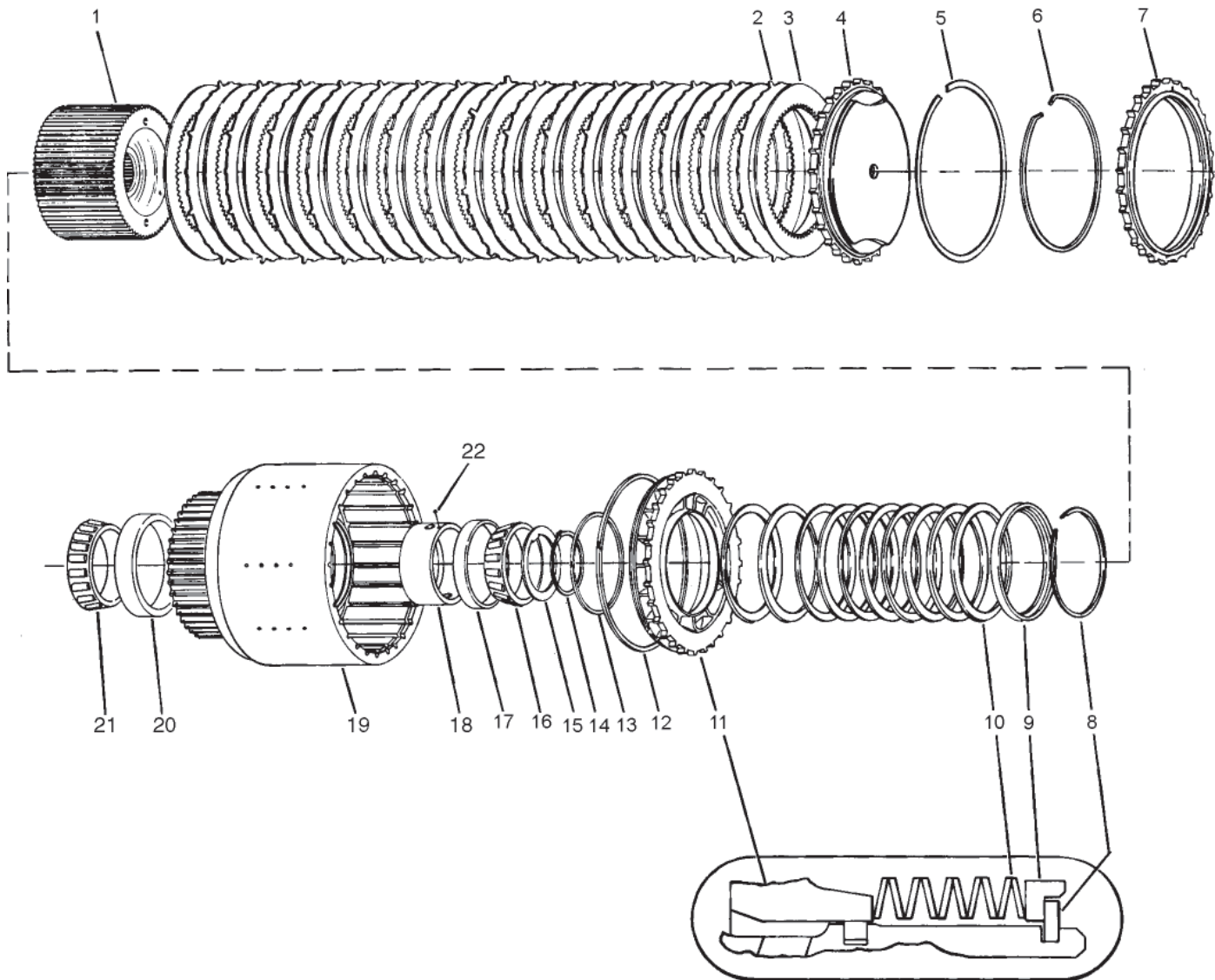
# Transmission Case Assembly



| Item                                     | Part No.  | Qty | Description   | Item | Part No.  | Qty | Description       |
|--|-----------|-----|---------------|------|-----------|-----|-------------------|
| <b>593398 Transmission Case Assembly</b> |           |     |               |      |           |     |                   |
| 1  | NSS       | 1   | . Case        | 17   | 593393    | 1   | . Tube            |
| 2  | 216948    | 1   | . Tube        | 18   | 227844    | 1   | . Tube            |
| 3  | 593388    | 1   | . Tube        | 19   | 227845    | 1   | . Tube            |
| 4  | 216950    | 1   | . Tube        | 20   | 228732    | 1   | . Tube            |
| 5  | 593389    | 1   | . Tube        | 21   | 216962    | 1   | . Tube            |
| 6  | 212320    | 9   | . Tube Sleeve | 22   | 216963    | 1   | . Tube            |
| 7  | 212320    | 14  | . Tube Sleeve | 23   | 228733    | 1   | . Tube            |
| 8  | 216952    | 1   | . Tube        | 24   | 219757    | 2   | . Tube Sleeve     |
| 9  | 212323    | 1   | . Tube Clip   | 25   | 219757    | 2   | . Tube Sleeve     |
| 10                                       | 593390    | 1   | . Rivet       | 26   | 593394    | 1   | . Tube            |
| 11                                       | R13802621 | 2   | . Washer      | 27   | 212323    | 1   | . Tube Clip       |
| 12                                       | 591502    | 1   | . Rivet       | 28   | 593390    | 1   | . Rivet           |
| 13                                       | R13802621 | 1   | . Washer      | 29   | R13802621 | 1   | . Washer          |
| 14                                       | 212323    | 1   | . Tube Clip   | NI   | 593396    | 2   | . Oil Level Glass |
| 15                                       | 593391    | 1   | . Tube        |      |           |     |                   |
| 16                                       | 593392    | 1   | . Tube        |      |           |     |                   |

NSS Not Sold Separately

## Input (Forward), Reverse Clutch Group

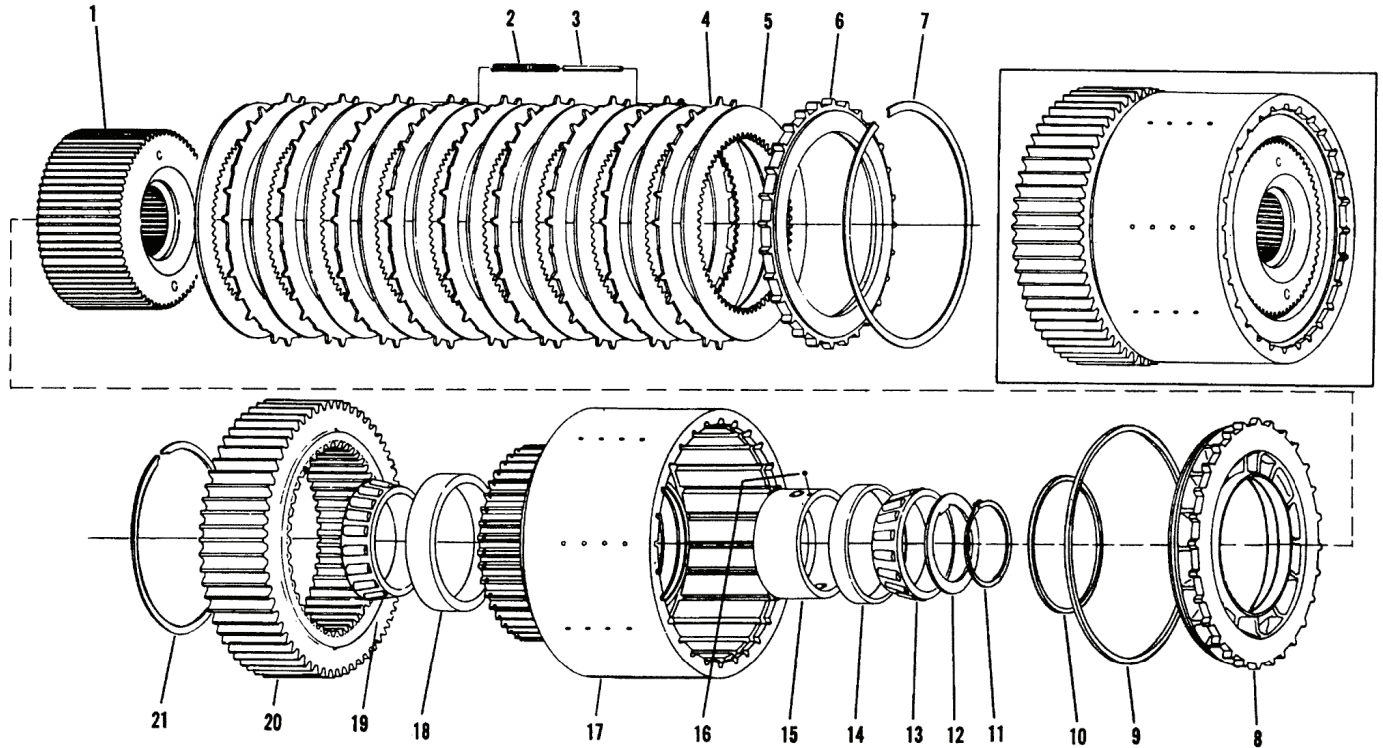


| Item                                   | Part No.  | Qty | Description                  | Item | Part No.   | Qty | Description              |
|--|-----------|-----|------------------------------|------|------------|-----|--------------------------|
| <b>Input (Fwd.), Rev. Clutch Group</b> |           |     |                              |      |            |     |                          |
| 1                                      | 228734    | 1   | . Disc Hub & Washer Assembly | 15   | *a 234570  | A/R | . Washer, Keyed          |
| 2                                      | 228735    | 15  | . Outer Disc                 | 15A  | *a 248630  | A/R | . Washer, Keyed          |
| 3                                      | *b 591579 | 16  | . Inner Disc                 | 15B  | *a 234571  | A/R | . Washer, Keyed          |
| 4                                      | 228737    | 1   | . End Plate                  | 15C  | *a 248631  | A/R | . Washer, Keyed          |
| 5                                      | *a 228738 | 1   | . Snap Ring                  | 15D  | *a 234572  | A/R | . Washer, Keyed          |
| 6                                      | *a 228739 | 1   | . Snap Ring                  | 16   | *a 228746  | 1   | . Bearing                |
| 7                                      | 228740    | 1   | . Retainer                   | 17   | *a 228747  | 1   | . Bearing Cup            |
| 8                                      | 228741    | 1   | . Snap Ring                  | 18   | 217045     | 1   | . Piston Ring Outer Race |
| 9                                      | 228742    | 1   | . Retainer                   | 19   | 238101     | 1   | . Clutch Drum Assembly   |
| 10                                     | 228743    | 1   | . Kit, Belleville Washer     | 20   | *a R238483 | 1   | . Bearing Cup            |
| 11                                     | 228744    | 1   | . Piston                     | 21   | *a 228750  | 1   | . Bearing                |
| 12                                     | *a 238099 | 1   | . Piston Ring                | 22   | 212358     | 1   | . . Ball                 |
| 12A                                    | *a 238100 | 1   | . Expander Spring            |      |            |     |                          |
| 13                                     | *a 212282 | 1   | . Piston Ring                |      |            |     |                          |
| 14                                     | *a 234568 | A/R | . Snap Ring                  |      |            |     |                          |
| 14A                                    | *a 234569 | A/R | . Snap Ring                  |      |            |     |                          |
| 14B                                    | *a 248629 | A/R | . Ring, Retaining            |      |            |     |                          |
| 14C                                    | *a 248628 | A/R | . Ring, Retaining            |      |            |     |                          |

\*a Included in 587623 Service Kit  
 \*b 591579 Inner Disc replaces obsolete 228736 Inner Disk.  
 Do not combine different discs in assembly.

Note: The quantities shown are for a single clutch pack.  
 If repairing more than one clutch pack, please adjust quantities accordingly.

# 1st & 2nd Clutch Group

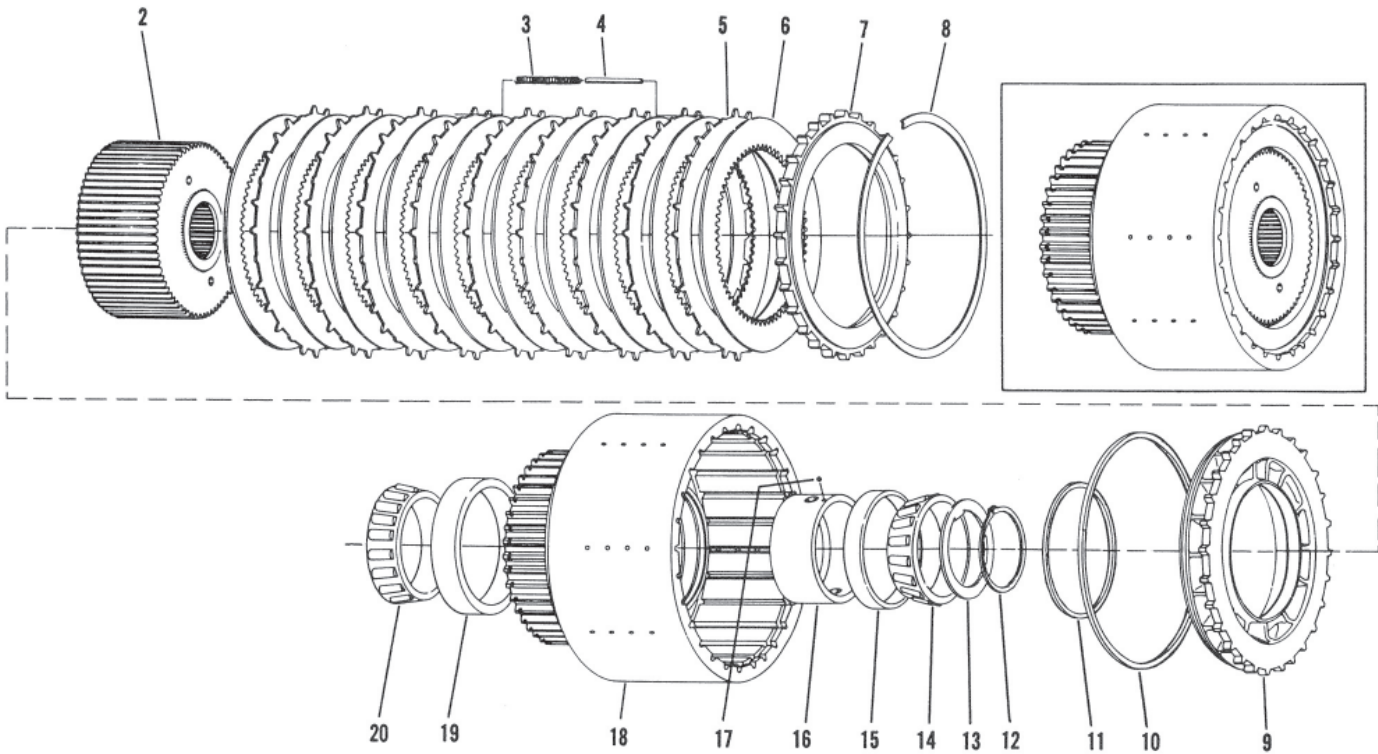


| Item                              | Part No.  | Qty | Description         | Item | Part No.   | Qty | Description         |
|-----------------------------------|-----------|-----|---------------------|------|------------|-----|---------------------|
| <b>1st &amp; 2nd Clutch Group</b> |           |     |                     |      |            |     |                     |
| 1                                 | 238103    | 1   | . Disc Hub Assembly | 13   | *a 228750  | 1   | . Bearing Cone      |
| 2                                 | 228752    | 8   | . Spring            | 14   | *a R238483 | 1   | . Bearing Cup       |
| 3                                 | 228753    | 8   | . Spring Pin        | 15   | 228759     | 1   | . Race, Piston Ring |
| 4                                 | 212341    | 11  | . Outer Disc        | 16   | 212358     | 1   | . . Ball            |
| 5                                 | *b 591498 | 12  | . Inner Disc        | 17   | 238109     | 1   | . Clutch Drum Asm   |
| 6                                 | 212343    | 1   | . End Plate         | 18   | *a 222872  | 1   | . Bearing Cup       |
| 7                                 | *a 212348 | 1   | . Snap Ring         | 19   | *a 222871  | 1   | . Bearing Cone      |
| 8                                 | 228754    | 1   | . Piston            | 20   | 228761     | 1   | Gear                |
| 9                                 | *a 228755 | 1   | . Seal              | 21   | *a 217032  | 1   | Snap Ring           |
| 10                                | *a 228756 | 1   | . Seal              |      |            |     |                     |
| 11                                | *a 238104 | A/R | . Snap Ring         |      |            |     |                     |
| 11A                               | *a 238105 | A/R | . Snap Ring         |      |            |     |                     |
| 12                                | *a 238106 | A/R | . Washer, Keyed     |      |            |     |                     |
| 12A                               | *a 238107 | A/R | . Washer, Keyed     |      |            |     |                     |
| 12B                               | *a 238108 | A/R | . Washer, Keyed     |      |            |     |                     |
| 12C                               | *a 591573 | A/R | . Washer, Keyed     |      |            |     |                     |

\*a Included in 587623 Service Kit  
 \*b 591498 Inner Disc replaces obsolete 212342 Inner Disc.  
 Do not combine different discs in assembly.

Note: The quantities shown are for a single clutch pack.  
 If repairing more than one clutch pack, please adjust  
 quantities accordingly.

## 3rd & 4th Clutch Group

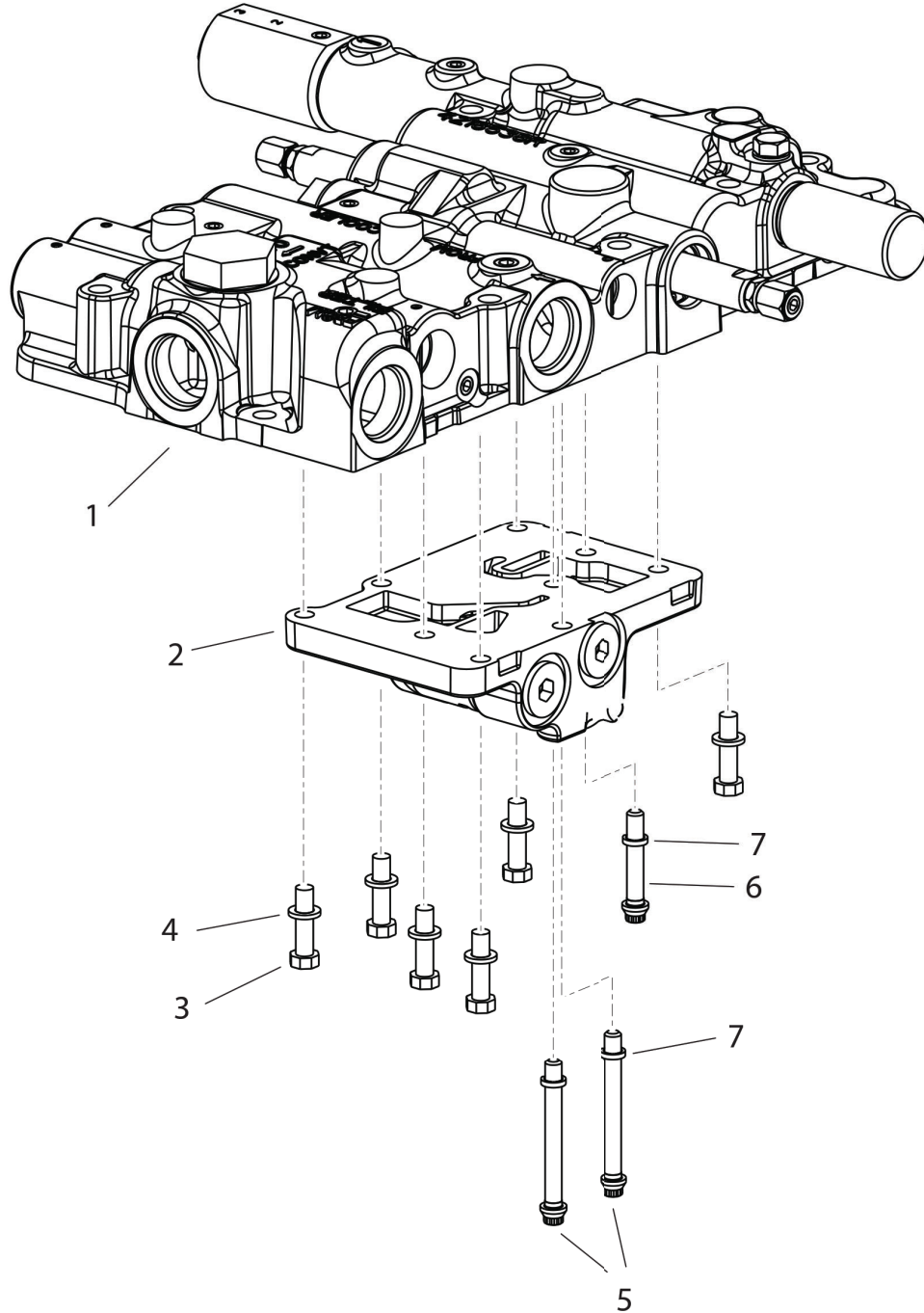


| Item                              | Part No.  | Qty | Description                      | Item | Part No.   | Qty | Description                    |
|-----------------------------------|-----------|-----|----------------------------------|------|------------|-----|--------------------------------|
| <b>3rd &amp; 4th Clutch Group</b> |           |     |                                  |      |            |     |                                |
| 2                                 | 234567    | 1   | . Hub Assy, Disc                 | 14   | *a 228746  | 1   | . Bearing Cone                 |
| 3                                 | 212339    | 6   | . Spring, Disc                   | 15   | *a 228747  | 1   | . Bearing Cup                  |
| 4                                 | 212340    | 6   | . Pin                            | 16   | *b 217045  | 1   | . Race                         |
| 5                                 | R4095205  | 9   | . Disc, Outer                    | 17   | *b 212358  | 1   | . Ball, Steel                  |
| 6                                 | 217036    | 10  | . Disc, Inner                    | 18   | 238111     | 1   | . Drum Assy, Clutch            |
| 7                                 | 217037    | 1   | . Plate, End                     | 19   | *a R238483 | 1   | . Bearing Cup                  |
| 8                                 | *a 217038 | 1   | . Ring, Snap                     | 20   | *a 228750  | 1   | . Bearing Cone                 |
| 9                                 | 217039    | 1   | . Piston                         |      |            |     |                                |
| 10                                | *a 217040 | 1   | . Ring, Snap                     |      | *a         |     | Included in 587623 Service Kit |
| 11                                | *a 212282 | 1   | . Ring, Piston                   |      | *b         |     | Included in Item 18, 238111    |
| 12                                | *a 234568 | AR  | . Ring, Snap, .123/.122 Thick    |      | AR         |     | As Required                    |
| 12A                               | *a 234569 | AR  | . Ring, Snap, .117/.116 Thick    |      |            |     |                                |
| 12B                               | *a 248629 | AR  | . Ring, Retaining                |      |            |     |                                |
| 12C                               | *a 248628 | AR  | . Ring, Retaining                |      |            |     |                                |
| 13                                | *a 234570 | AR  | . Washer, Keyed, .150/.149 Thick |      |            |     |                                |
| 13A                               | *a 248630 | AR  | . Washer, Keyed, .148/.147 Thick |      |            |     |                                |
| 13B                               | *a 234571 | AR  | . Washer, Keyed, .146/.145 Thick |      |            |     |                                |
| 13C                               | *a 248631 | AR  | . Washer, Keyed                  |      |            |     |                                |
| 13D                               | *a 234572 | AR  | . Washer, Keyed                  |      |            |     |                                |
| 13E                               | *a 248632 | AR  | . Washer, Keyed                  |      |            |     |                                |

Note: The quantities shown are for a single clutch pack. If repairing more than one clutch pack, please adjust quantities accordingly.

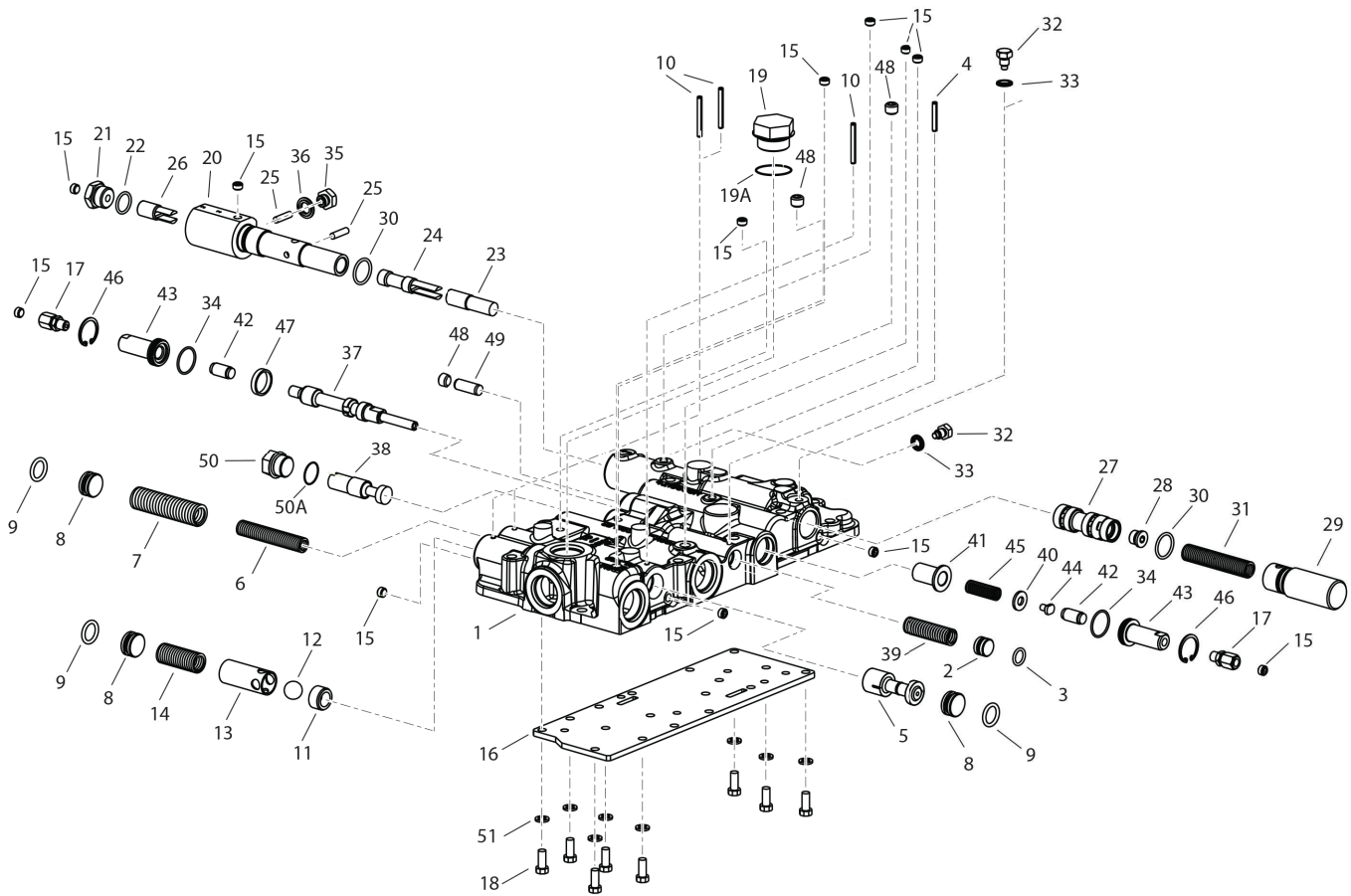


## Control Cover & Modulator Fwd/Rev



| Item  | Part No. | Qty | Description                      | Item | Part No. | Qty | Description |
|---|----------|-----|----------------------------------|------|----------|-----|-------------|
| <b>593960 Control Cover &amp; Modulator Fwd/Rev</b> |          |     |                                  |      |          |     |             |
| 1   | 238090   | 1   | . Valve, Control (see Page 10)   |      |          |     |             |
| 2   | 228768   | 1   | . Valve, Modulator (see Page 11) |      |          |     |             |
| 3   | 18498W   | 6   | . Capscrew                       |      |          |     |             |
| 4   | 201566   | 6   | . Washer, Lock                   |      |          |     |             |
| 5   | 292317W  | 2   | . Capscrew                       |      |          |     |             |
| 6   | 246770W  | 1   | . Capscrew                       |      |          |     |             |
| 7   | 238114   | 3   | . Washer, Lock                   |      |          |     |             |

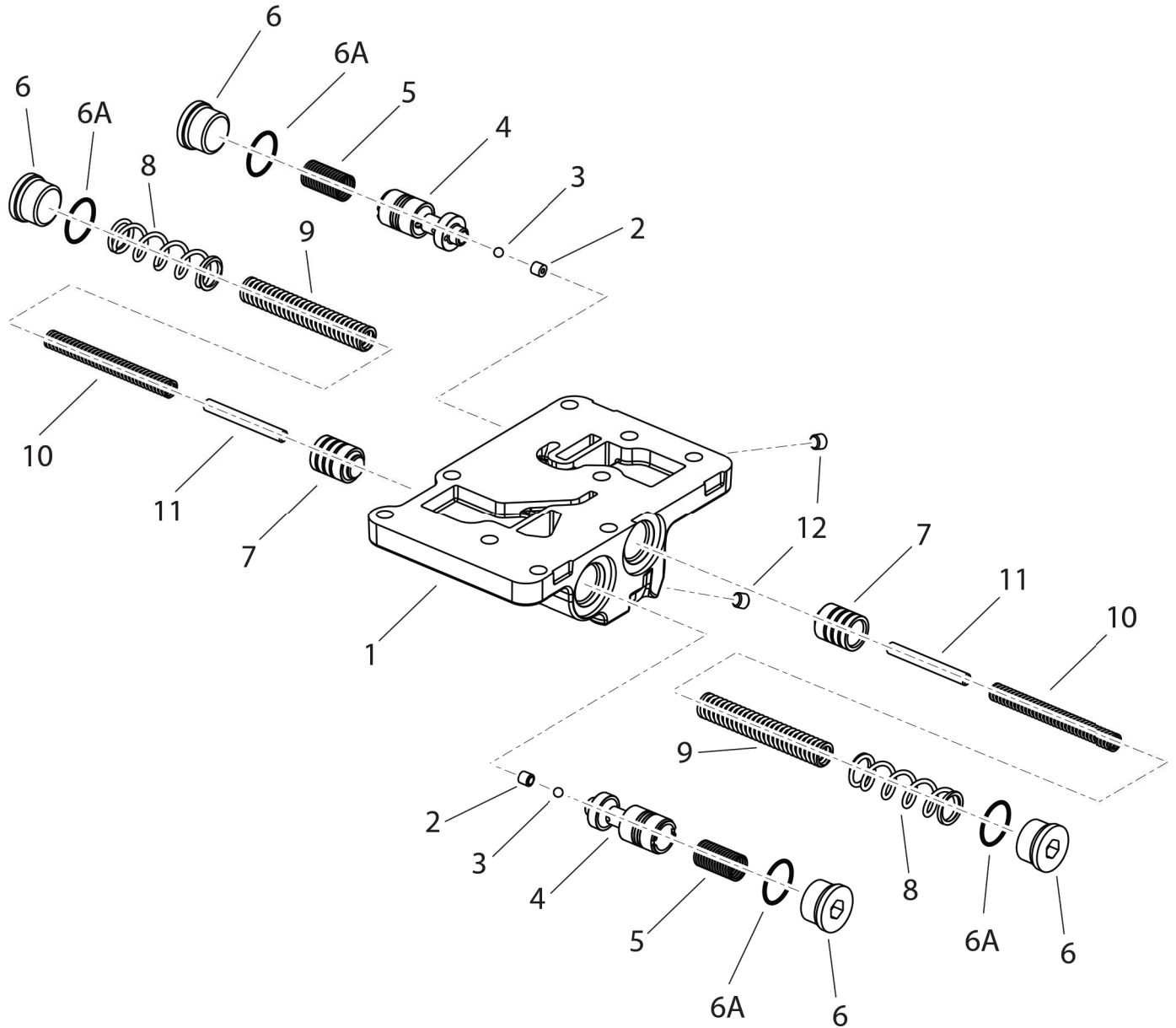
# Control Valve Assembly



| Item | Part No.      | Qty | Description                   | Item | Part No.  | Qty | Description                        |
|------|---------------|-----|-------------------------------|------|-----------|-----|------------------------------------|
|      | <b>238090</b> |     | <b>Control Valve Assembly</b> |      |           |     |                                    |
| 1    | NSS           | 1   | . Control Cover               | 29   | 234583    | 1   | . End Plug                         |
| 2    | 212411        | 1   | . Valve Stop                  | 30   | *a 217897 | 2   | . O-Ring                           |
| 3    | *a 203430     | 1   | . O-Ring                      | 31   | *a 234582 | 1   | . Selector Valve Spring            |
| 4    | 212402        | 1   | . Rollpin                     | 32   | 219826    | 2   | . Plug                             |
| 5    | 227828        | 1   | . Spool-Regulator Valve       | 33   | *a 219827 | 2   | . Washer-Seal                      |
| 6    | *a 217076     | 1   | . Spring, Inner               | 34   | *a 232257 | 2   | . O-Ring                           |
| 7    | *a 217060     | 1   | . Spring, Outer               | 35   | 219822    | 1   | . Plug                             |
| 8    | 212546        | 3   | . Stop-Valve Spool            | 36   | *a 219821 | 1   | . Washer-Seal                      |
| 9    | *a 100153W    | 3   | . O-Ring                      | 37   | 238113    | 1   | . Valve Spool Fwd And Rev Selector |
| 10   | R300058       | 3   | . Pin-Valve Stop              | 38   | 217061    | 1   | . Shut-Off Spool                   |
| 11   | 217077        | 1   | . Seat-Check Valve            | 39   | 212414    | 1   | . Spring Shut-Off Valve            |
| 12   | 217078        | 1   | . Ball                        | 40   | 232260    | 1   | . Spacer                           |
| 13   | 217080        | 1   | . Spacer-Safety Valve         | 41   | 234584    | 1   | . Sleeve-Outer                     |
| 14   | *a 227829     | 1   | . Spring                      | 42   | 232258    | 2   | . Fwd. And Rev. Piston             |
| 15   | 232076        | 12  | . Plug                        | 43   | 232256    | 2   | . Forward And Reverse Piston Guide |
| 16   | 228767        | 1   | . Control Cover Plate         | 44   | 232259    | 1   | . Cap-Stop                         |
| 17   | 219839        | 2   | . Fitting                     | 45   | *a 232261 | 1   | . Spring                           |
| 18   | 16836W        | 8   | . Capscrew                    | 46   | *a 212395 | 2   | . Snap Ring                        |
| 19   | 209133        | 1   | . Fitting-Plug                | 47   | 243313    | 1   | . Spacer                           |
| 19A  | 209826        | 1   | . O-Ring                      | 48   | 227825    | 3   | . Plug                             |
| 20   | 234575        | 1   | . Shift Cylinder Housing      | 49   | 217654    | 1   | . Dowel Pin                        |
| 21   | 219817        | 1   | . Plug                        | 50   | 215250    | 1   | . Fitting-Plug                     |
| 22   | *a 16485W     | 1   | . O-Ring                      | 50A  | *a 16485W | 1   | . O-Ring                           |
| 23   | 234577        | 1   | . 1st Speed Valve             | 51   | 201566    | 8   | . Washer, Lock                     |
| 24   | 234576        | 1   | . 2nd Speed Valve             |      |           |     |                                    |
| 25   | R4095225      | 2   | . Needle Roller               |      |           |     |                                    |
| 26   | 234574        | 1   | . 3rd Speed Valve             |      |           |     |                                    |
| 27   | 591580        | 1   | . Selector Assembly           |      |           |     |                                    |
| 28   | 591581        | 1   | . Spool                       |      |           |     |                                    |

\*a Included in 587623 Service Kit  
 NSS Not Sold Separately

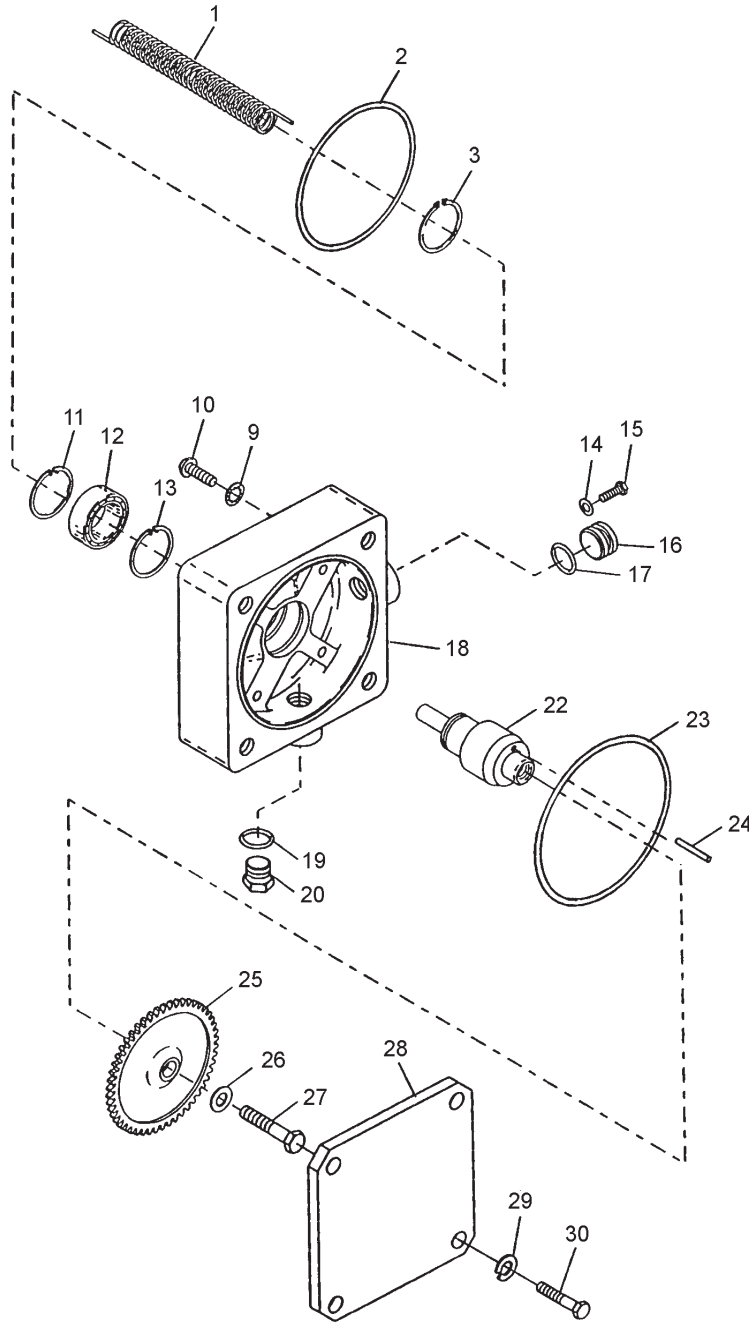
# Modulator Valve



| Item | Part No.      | Qty | Description                 | Item | Part No. | Qty | Description                 |
|------|---------------|-----|-----------------------------|------|----------|-----|-----------------------------|
|      | <b>228768</b> |     | <b>Modulator Valve</b>      |      |          |     |                             |
| 1    | NSS           | 1   | . Modulator Valve Housing   | 9    | 228771   | 2   | . Spring-Accumulator        |
| 2    | NSS           | 1   | . Stop Pin                  | 10   | 228770   | 2   | . Spring-Accumulator, Inner |
| 3    | NSS           | 1   | . Spring, Inner             | 11   | 228769   | 2   | . Pin-Stop, Accumulator     |
| 4    | 245448        | 2   | . Assembly-Regulator Spool  | 12   | R239243  | 2   | . Plug                      |
| 5    | 228774        | 2   | . Spring-Regulator          |      |          |     |                             |
| 6    | 228773        | 4   | . Fitting-Plug, O-Ring      |      |          |     |                             |
| 6A   | *a 16485W     | 4   | . O-Ring                    |      |          |     |                             |
| 7    | R237877       | 2   | . Spool-Accumulator         |      |          |     |                             |
| 8    | 228772        | 2   | . Spring-Accumulator, Outer |      |          |     |                             |

\*a Included in 587623 Service Kit  
 NSS Not Sold Separately

# Speed Sensor Assembly



| Item                                | Part No.  | Qty | Description             | Item | Part No.  | Qty | Description   |
|-------------------------------------|-----------|-----|-------------------------|------|-----------|-----|---------------|
| <b>591586 Speed Sensor Assembly</b> |           |     |                         |      |           |     |               |
| 1                                   | 021-0294  | 1   | . Spring, Bearing Drive | 20   | 245075    | 1   | . Plug        |
| 2                                   | *a 15887W | 1   | . O-Ring                | 22   | 245076    | 1   | . Drive Shaft |
| 3                                   | *a 245072 | 1   | . Snap Ring             | 23   | *a 57597W | 1   | . O-Ring      |
| 9                                   | 217798    | 4   | . Lockwasher            | 24   | 245077    | 1   | . Pin, Spring |
| 10                                  | Y25G-0608 | 4   | . Capscrew              | 25   | 245078    | 1   | . Gear        |
| 11                                  | *a 241548 | 1   | . Snap Ring             | 26   | 218433    | 1   | . Lockwasher  |
| 12                                  | *a 241547 | 1   | . Bearing               | 27   | R13810856 | 1   | . Capscrew    |
| 13                                  | *a 241548 | 1   | . Snap Ring             | 28   | 212492    | 1   | . Cover       |
| 14                                  | 248043    | 1   | . Lockwasher            | 29   | 200604    | 4   | . Lockwasher  |
| 15                                  | R13802619 | 1   | . Capscrew              | 30   | 16829W    | 4   | . Capscrew    |
| 16                                  | 228773    | 1   | . Plug                  |      |           |     |               |
| 17                                  | 209207    | 1   | . O-Ring                |      |           |     |               |
| 18                                  | 248044    | 1   | . Housing               |      |           |     |               |
| 19                                  | *a 63105W | 1   | . O-Ring                |      |           |     |               |

\*a Included in 587623 Service Kit