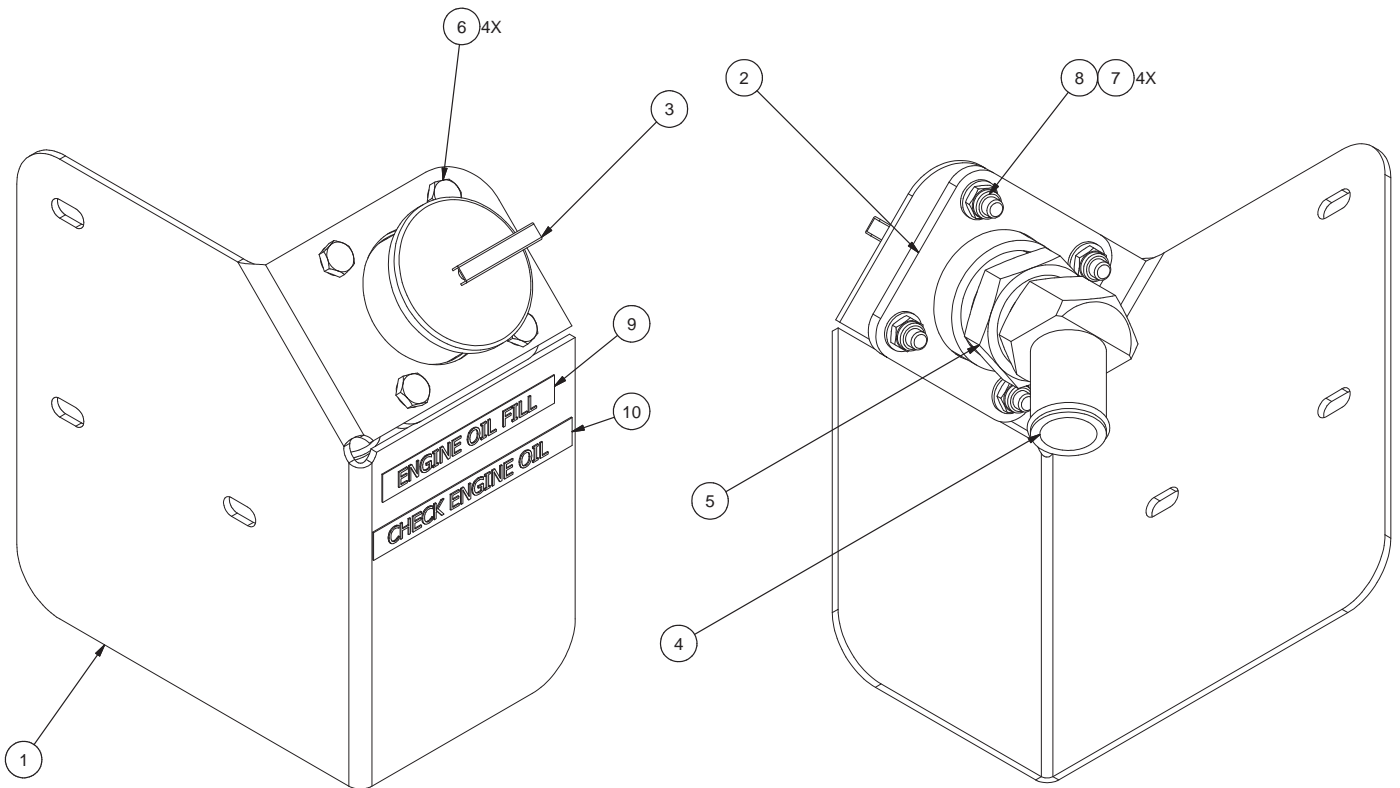


Oil Fill Assembly, RH



Item	Part No.	Qty	Description	Item	Part No.	Qty	Description
	591942		Oil Fill Assembly, RH				
1	591946	1	.Plate, Holder	6	R13809366	4	.Capscrew
2	591944	1	.Fill Cap Holder	7	296418W	4	.Hard Washer
3	208202	1	.Fuel Cap	8	302400W	4	.Locknut
4	591967	1	.Fitting	9	563640	1	.Decal, Oil Fill
5	209820	1	.Fitting	10	563641	1	.Oil Check

Intentionally Left Blank