

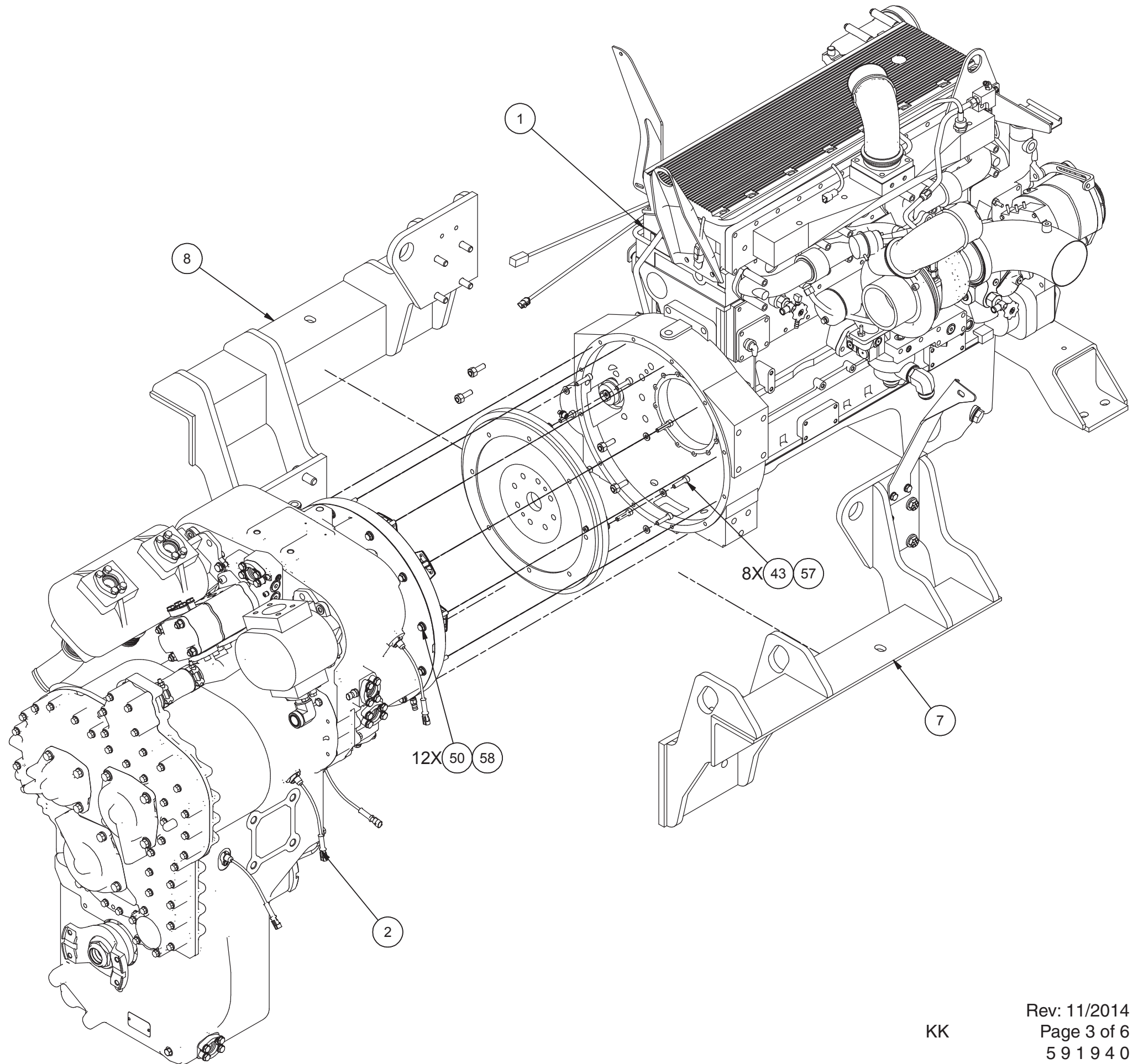
---

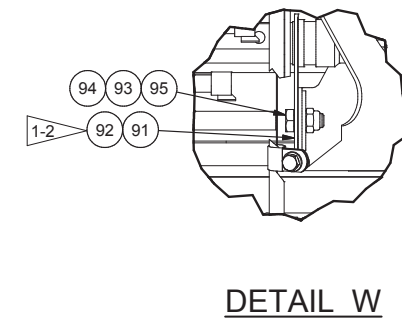
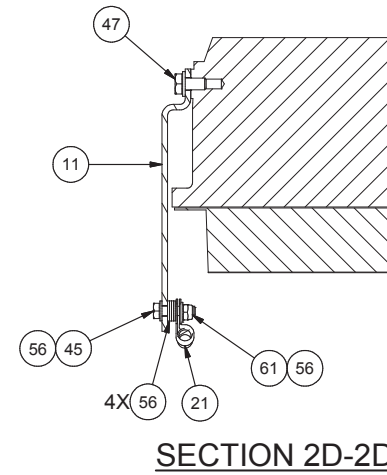
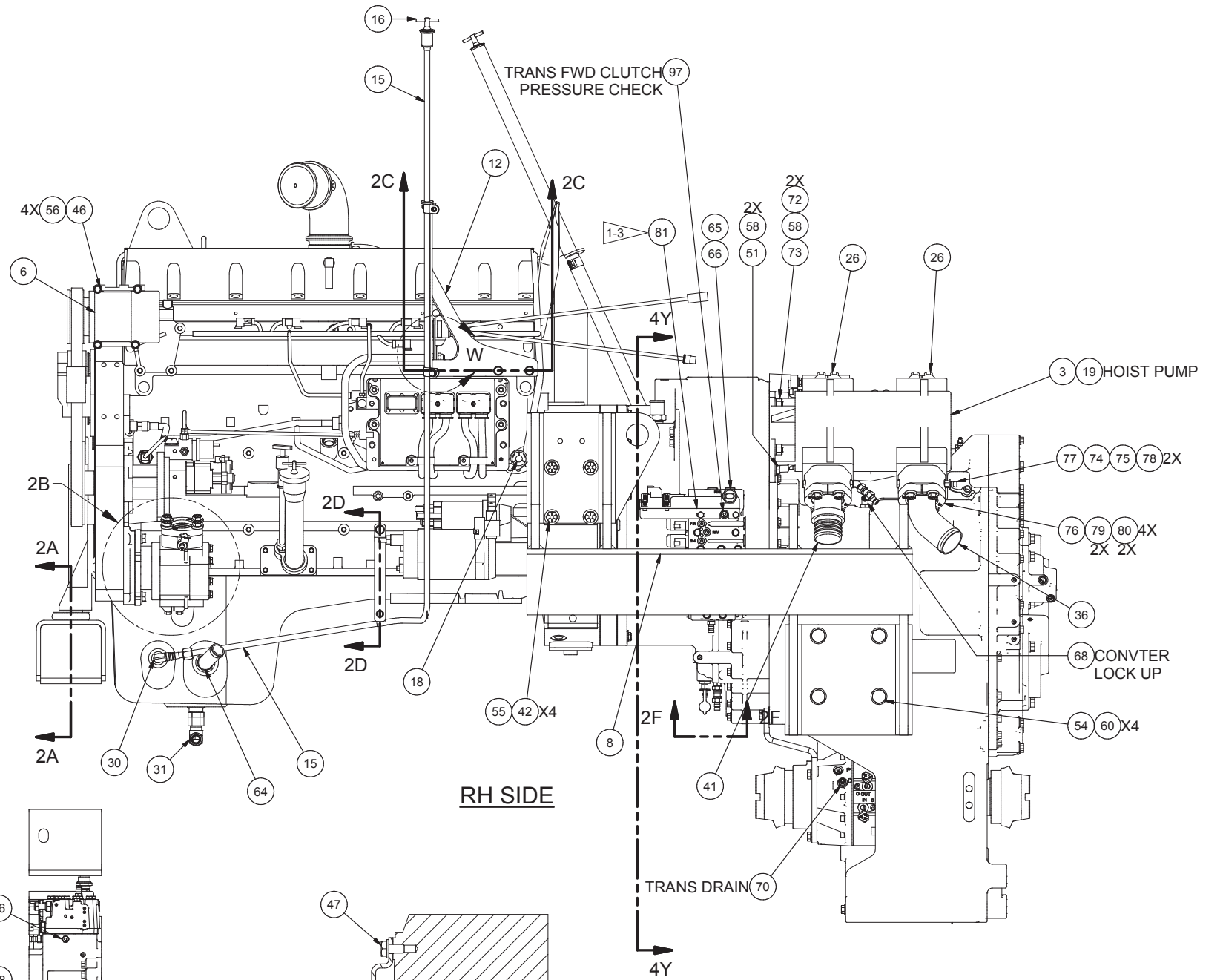
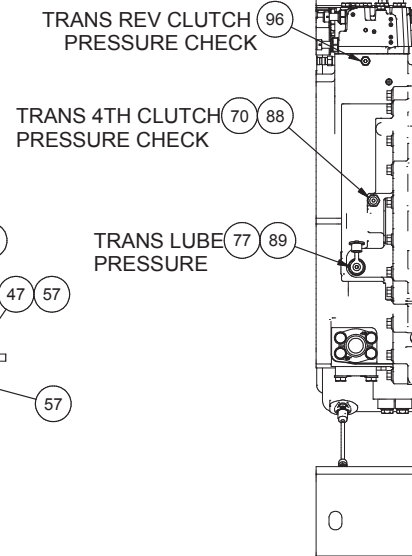
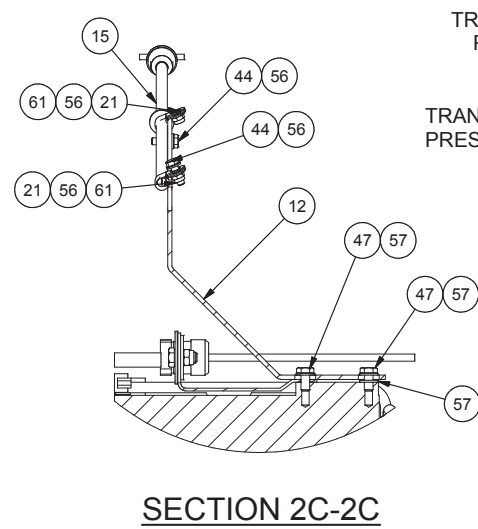
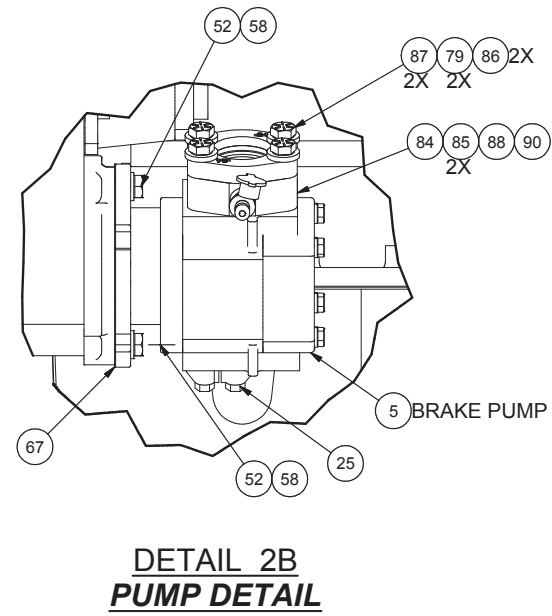
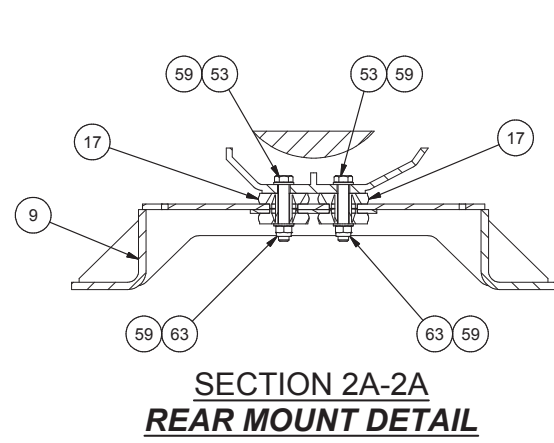
Power Unit Assembly

## Power Unit Assembly

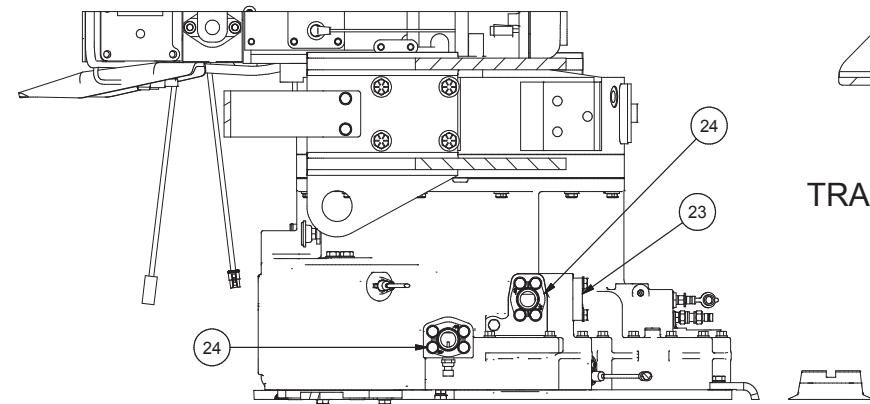
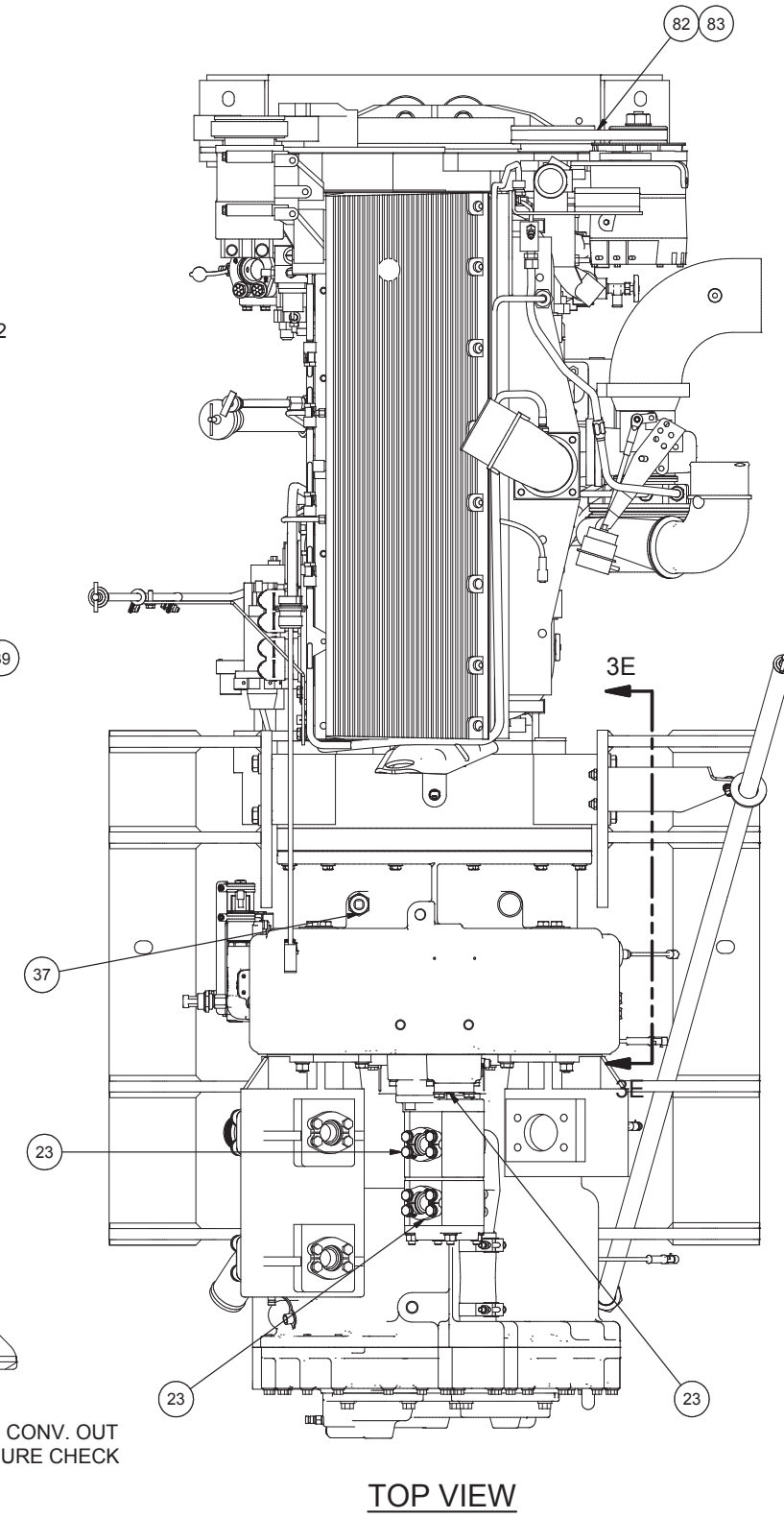
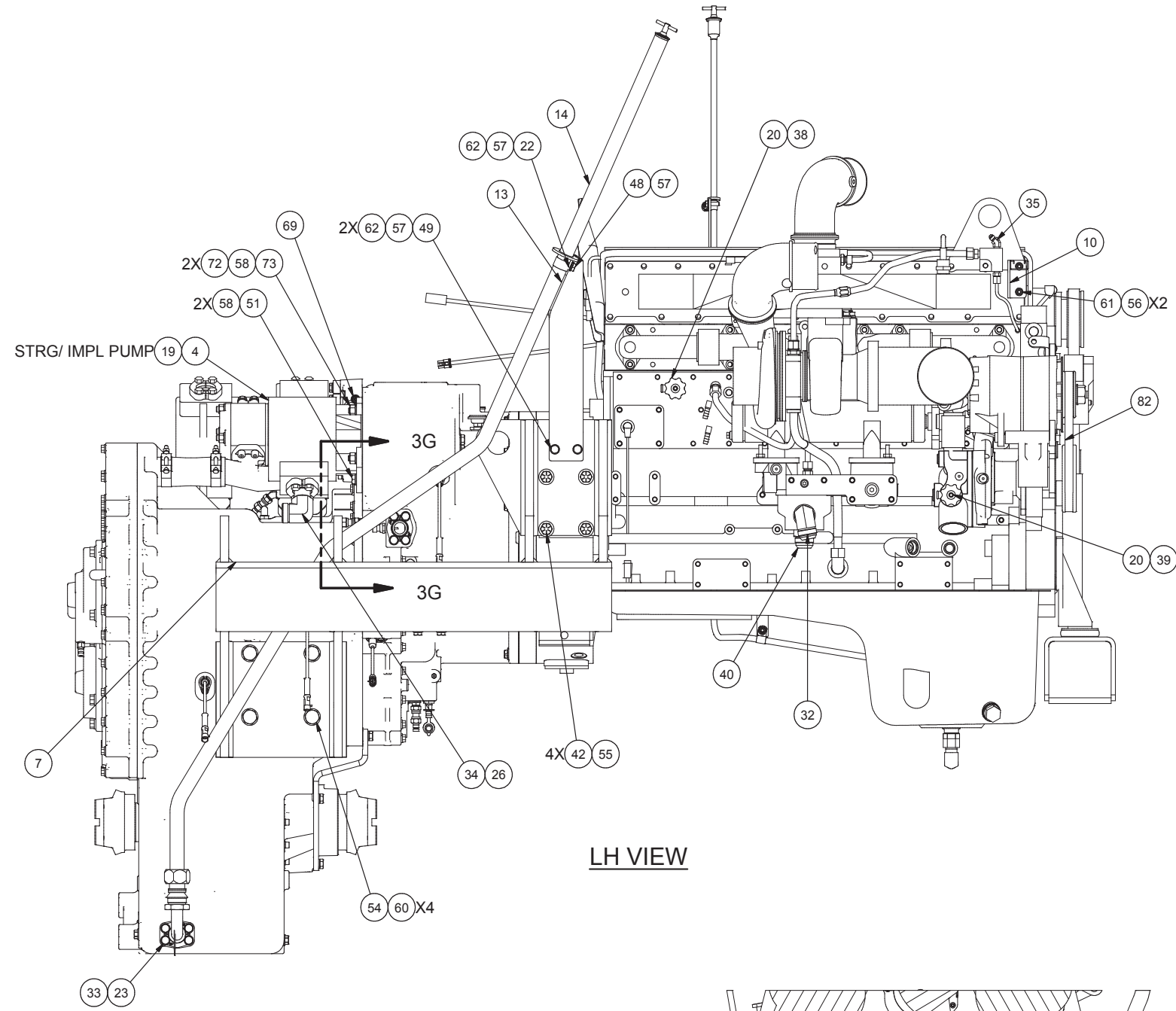
Item	Part No.	Qty	Description	Item	Part No.	Qty	Description
	<b>591940</b>		<b>Power Unit Assembly</b>				
1	* 590935	1	. Engine	51	293647W	4	. Capscrew
2	* 591196	1	. Transmission	52	248986	2	. Capscrew
3	590705	1	. Pump	53	591640	2	. Capscrew
4	591343	1	. Pump, Hydraulic	54	Y19C-M2055	8	. Capscrew
5	591657	1	. Pump	55	221775W	8	. Washer
6	591769	1	. Compressor, A/C	56	296418W	16	. Hard Washer
7	591409	1	. Mounting Weldment, LH	57	296420W	16	. Hard Washer
8	591410	1	. Mounting Weldment, RH	58	296422W	22	. Hard Washer
9	591661	1	. Mounting Weldment, Rear	59	296428W	4	. Hard Washer
10	592212	1	. Bracket Weldment, Rad Supply	60	296430W	8	. Hard Washer
11	592153	1	. Bracket, Dipstick	61	302400W	5	. Locknut
12	592154	1	. Bracket, Dipstick	62	302401W	3	. Locknut
13	592155	1	. Bracket, Dipstick	63	591641	2	. Nut, Esna
14	591939	1	. Housing Assembly, Dipstick	64	252365	1	. Fitting
15	592147	1	. Housing Weldment	65	592770	1	. Fitting
16	592149	1	. Dipstick Weldment	66	246905	1	. Sensor, Press Transducer
17	591651	2	. Vibration Isolator, Rear	67	27360	1	. Gasket
18	202889	1	. Switch, Oil Press	68	R833253	1	. Fitting
19	505499	2	. Gasket	69	592807	1	. Fitting
20	203274	2	. Shutoff Valve	70	592809	3	. Fitting
21	209578	3	. Clamp	71	592775	1	. Harness
22	R2528352	1	. Clip	72	592382	4	. Stud
23	591417	5	. Kit, Split Flange	73	292656W	4	. Nut
24	591950	2	. Kit, Split Flange	74	253920	2	. Spacer, O-Ring
25	11759	1	. Kit, Split Flange	75	203523	4	. O-Ring
	203443	1	. . O-Ring	76	209539	4	. Clamp Half
26	11740	3	. Kit, Split Flange	77	R14040	3	. Coupler, Male
	203446	1	. . O-Ring	78	209512	3	. Fitting
30	209413	1	. Fitting	79	221771W	12	. Washer
31	231808	1	. Fitting	80	R13811084	8	. Capscrew
32	221140	1	. Fitting	81	593455	1	. Bracket, Support
33	28574	1	. Fitting	82	593645	1	. Belt, Serpentine
34	257275	1	. Fitting	83	233603	-1	. Belt, Serpentine
35	209791	1	. Fitting	84	242640	1	. Spacer, O-Ring
36	211693	1	. Fitting	85	203516	2	. O-Ring
37	591948	1	. Fitting	86	209537	2	. Clamp Half
38	209505	1	. Fitting	87	R13811080	4	. Capscrew
39	18522	1	. Fitting	88	2307625W	3	. Coupler - Male, Quick
40	209619	1	. Fitting	89	593818	1	. Fitting
41	211705	1	. Fitting	90	R833200	1	. Fitting
42	Y17C-1036	8	. Capscrew	91	593902	1	. Plate, Mounting
43	591521	8	. Capscrew	92	593904	1	. Plate, Spacer
44	R13809366	2	. Capscrew	93	302402W	1	. Locknut
45	251199	1	. Capscrew	94	2305715W	1	. Washer
46	Y09C-M08100	4	. Capscrew	95	Y09C-M1225	1	. Capscrew
47	236805	3	. Capscrew	96	R14038	2	. Coupler, Male
48	293628W	1	. Capscrew	97	593908	3	. Coupler, Male
49	293631W	2	. Capscrew				
50	4200117	12	. Capscrew				

\* See Separate Coverage



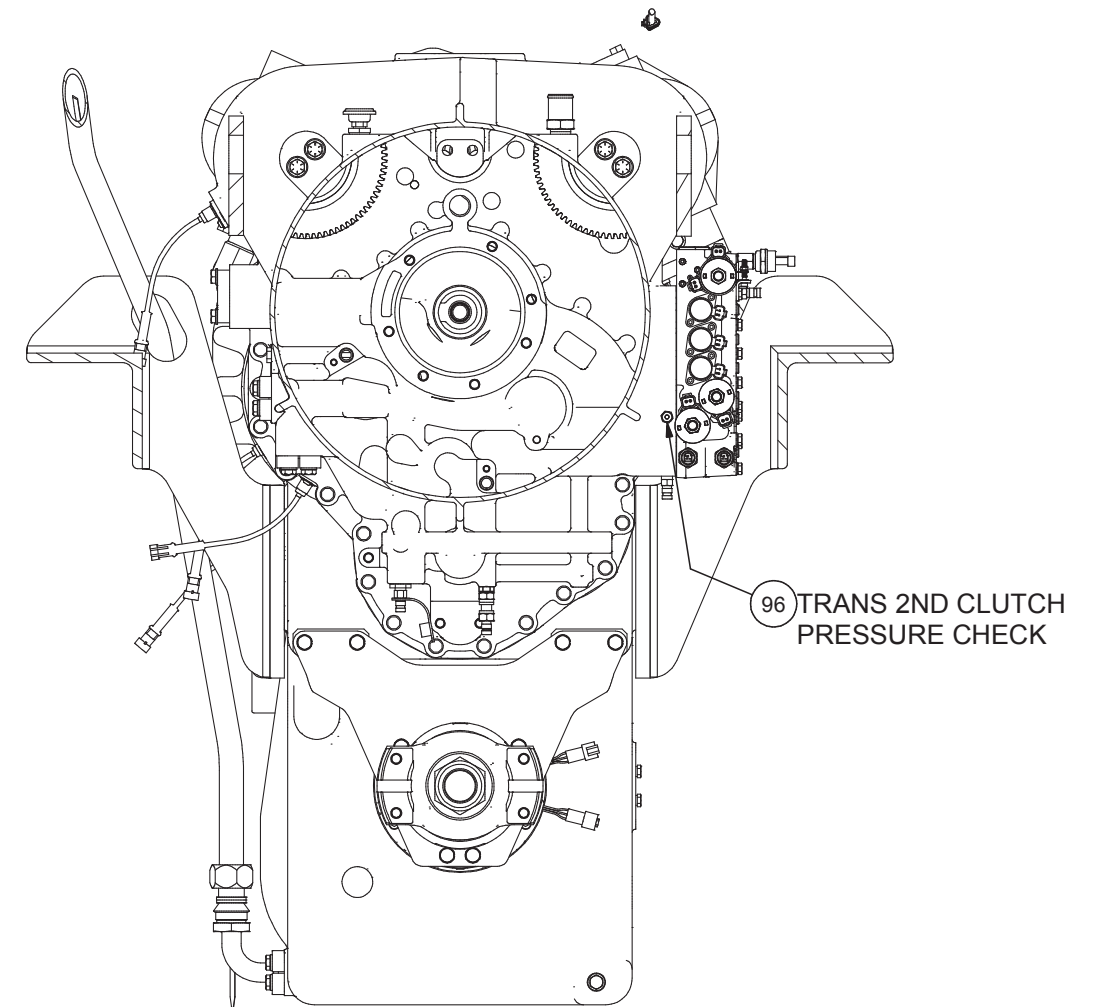
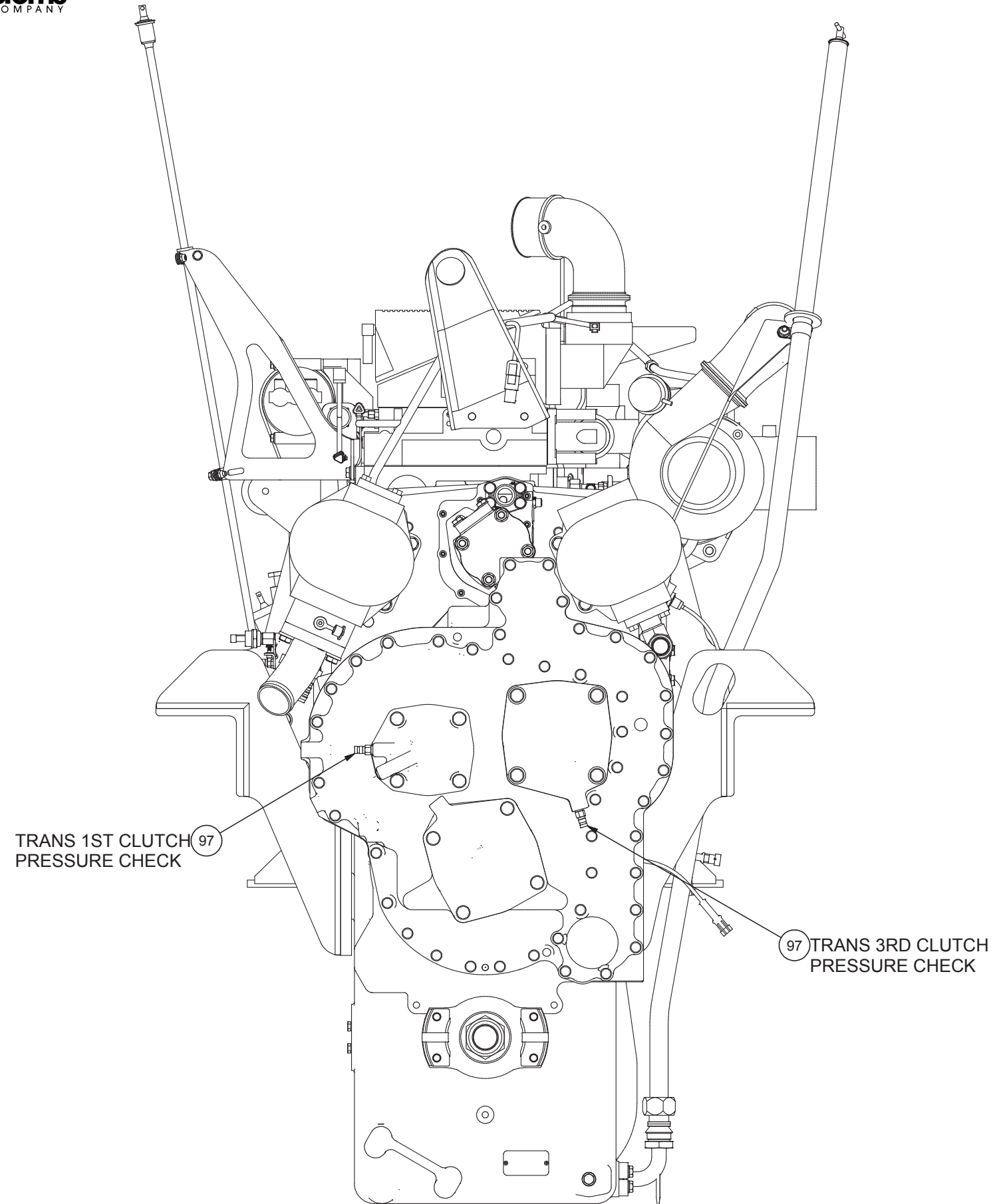


**SECTION 2F-2F  
TRANSMISSION LUBE PRESSURE CHECK**



SECTION 3E-3E





**SECTION 4Y-4Y**