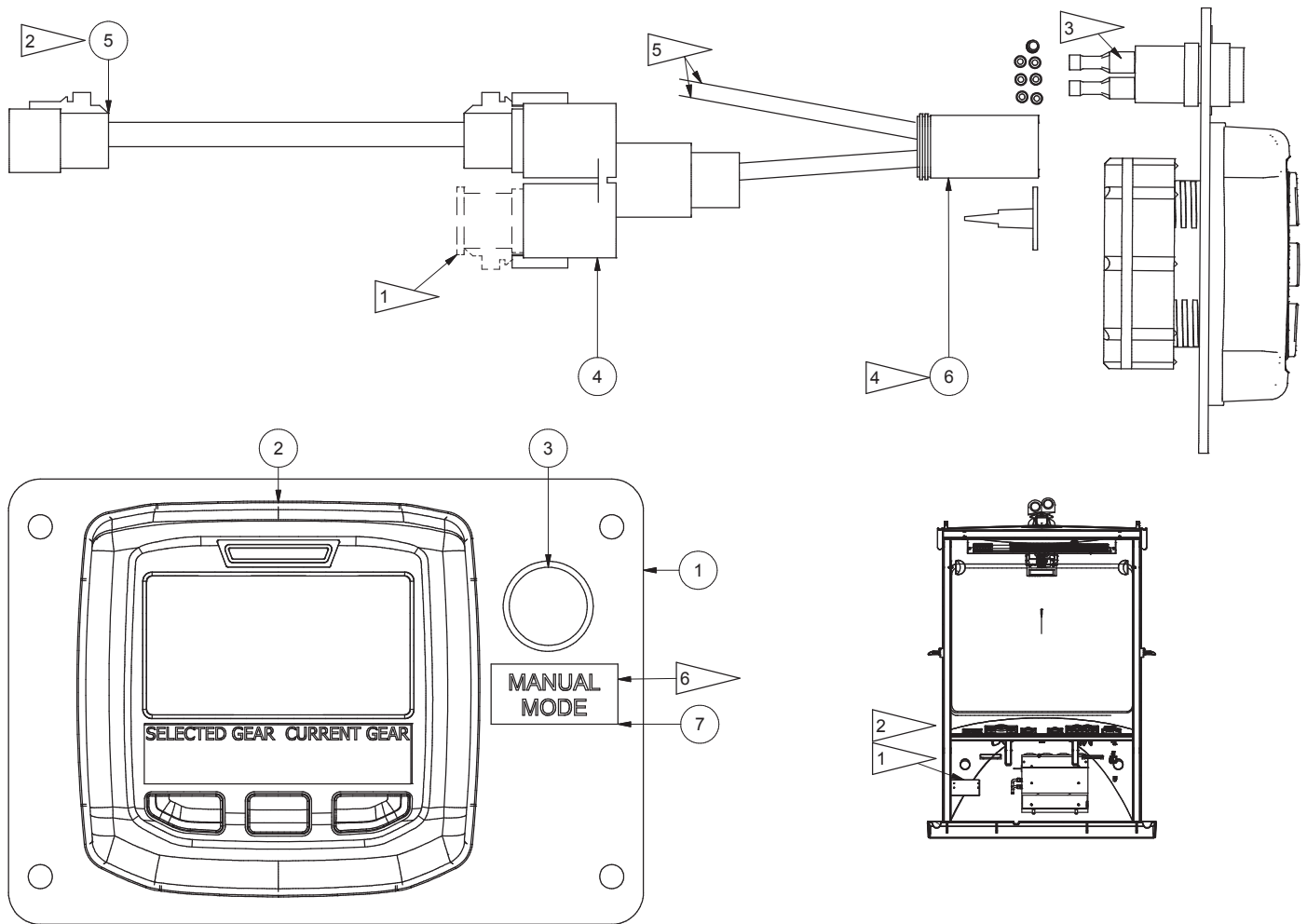


Panel Assembly, RH Display

- NOTES:
- 1 REMOVE TERMINATING RESISTOR FROM REMOTE MONITOR SPLITTER, AND INSERT INTO DISPLAY SPLITTER.
 - 2 J1939 JUMPER GOES FROM REMOTE MONITOR SPLITTER TO DISPLAY SPLITTER
 - 3 CRIMP TERMINALS ARE FOR LED LIGHT
 - 4 SEE SCHEMATIC FOR WIRING DETAILS. DISPLAY CONNECTOR CONNECTS TO 3-WAY DEUTSCH PLUG AND TO OVERHEAD CONSOLE WIRING HARNESS, 590121.
 - 5 SOCKETS ON WIRES ARE INSERTED INTO DEUTSCH 6 PIN CONNECTOR AFTER WIRE ARE ROUTED THROUGH CAB.



Item	Part No.	Qty	Description	Item	Part No.	Qty	Description
	591871		Panel Assembly, RH Display	4	591210	1	. Receptacle
1	591866	1	. Plate, RH Display	5	591904	1	. Cable, Jumper
2	591906	1	. Display, Trans	6	591903	1	. Wire Harness
3	232166	1	. Light, Amber Led	7	592060	1	. Decal

Panel Assembly, RH Display

Intentionally Left Blank