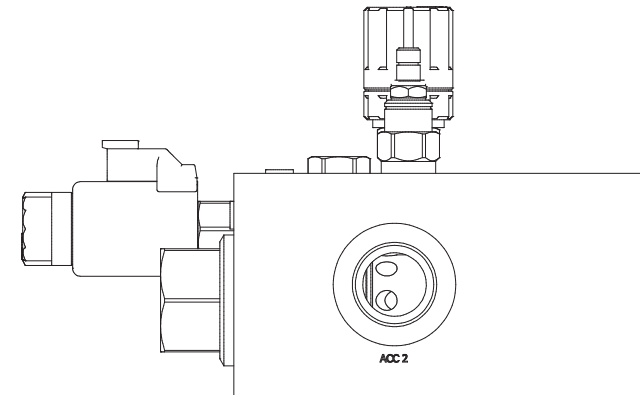
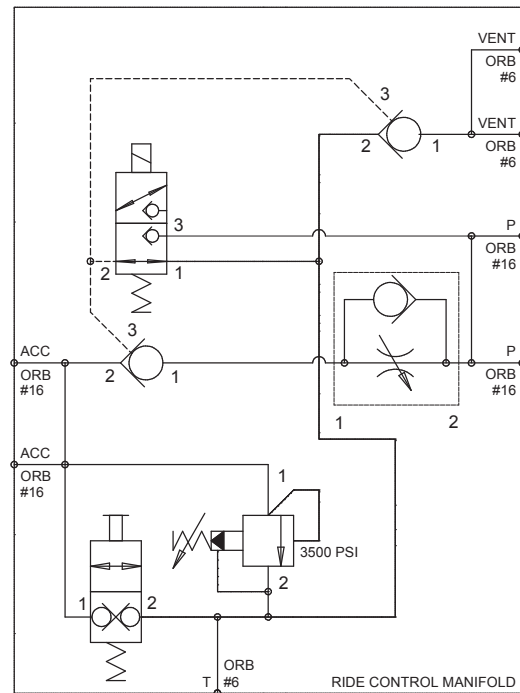
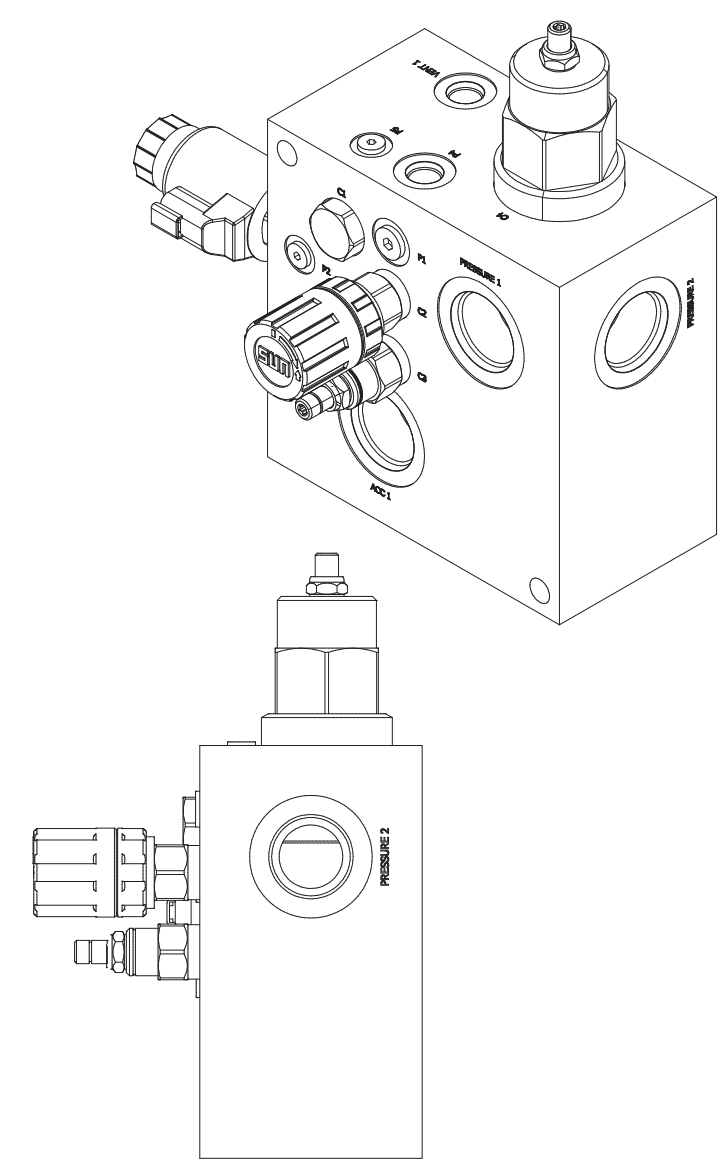
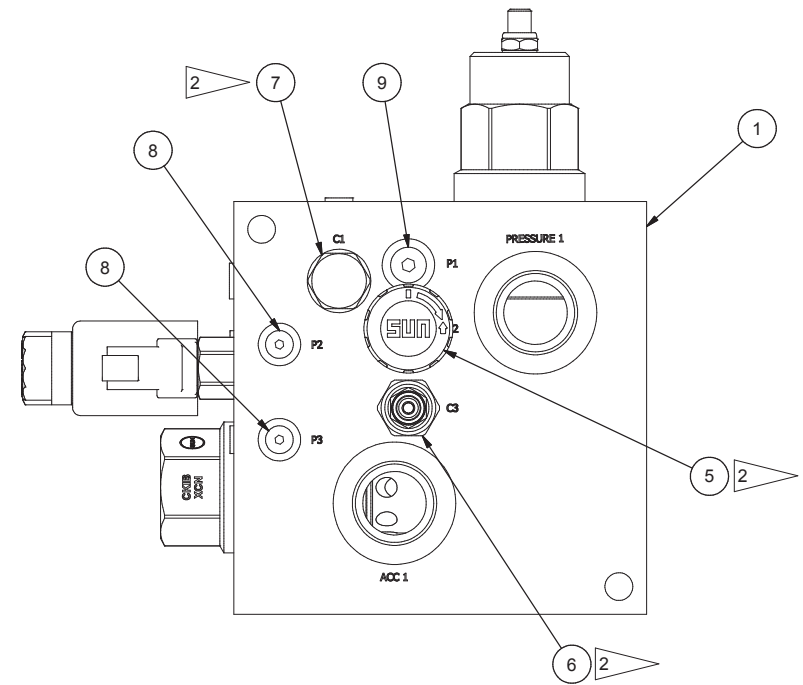
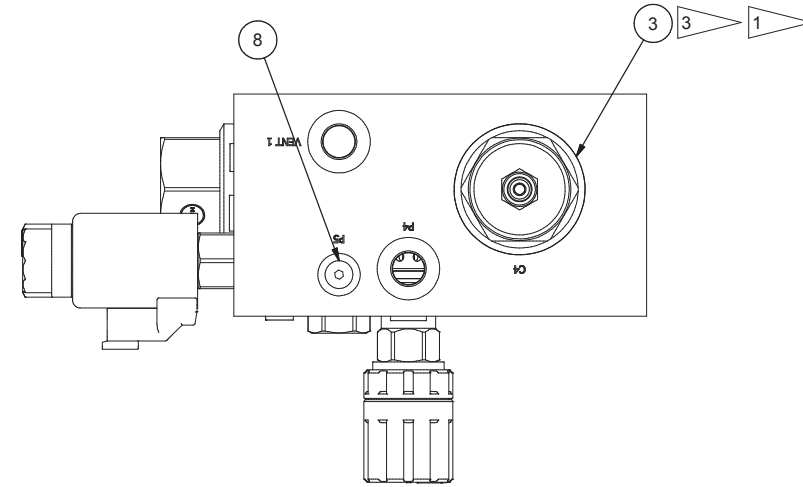
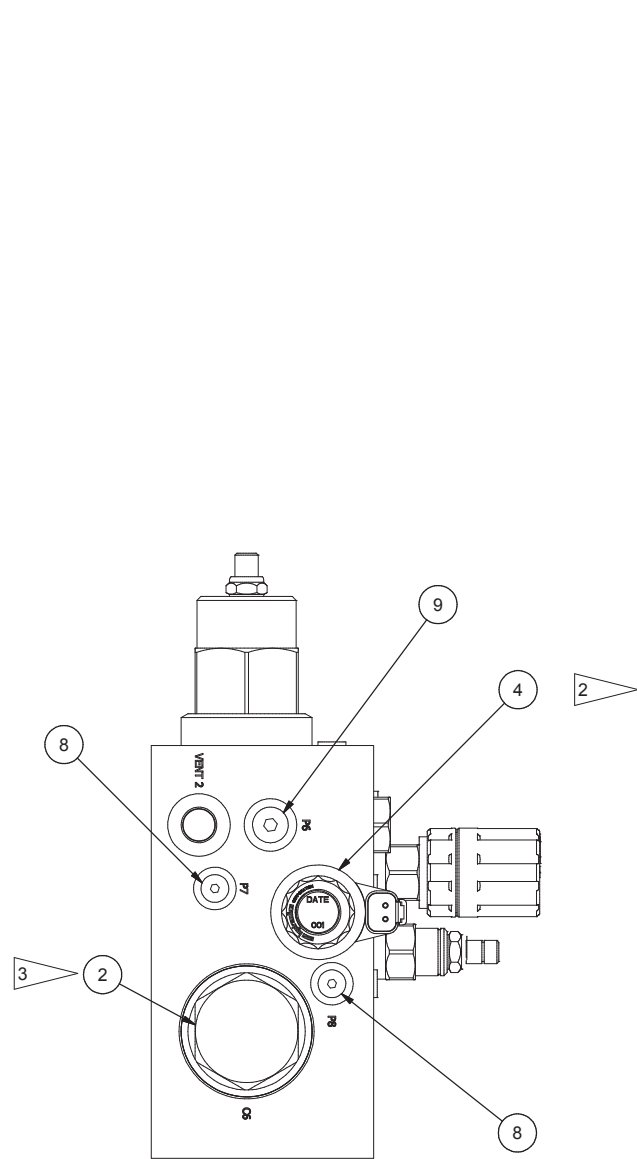

Manifold Assembly, Load Dampening

Manifold Assembly, Load Dampening

Item	Part No.	Qty	Description	Item	Part No.	Qty	Description
	591864		Manifold Assembly, Load Damp.				
1	591865	1	. Manifold, Load Dampening	5	592339	1	. Cartridge Valve, Manual
2	248333	1	. Cartridge, Valve		593446	1	.. Seal Kit
	251380	1	.. Seal Kit	6	250152-3500	1	. Cartridge, Valve
3	250657	1	. Cartridge, Valve		242335	1	.. Seal Kit
	251394	1	.. Seal Kit	7	244422	1	. Cartridge, Valve
4	594507	1	. Valve		242101	1	.. Seal Kit
	254539	1	.. Seal Kit	8	242230	5	. Fitting
				9	235387	2	. Fitting



NOTES:

- 1 FLOW CONTROL VALVE INITIAL FACTORY SETTING IS FULLY FIELD ADJUSTABLE TO DAMPEN RESPONSE
- 2 TORQUE TO 30-35 FT-LBS
- 3 TORQUE TO 350-375 FT-LBS