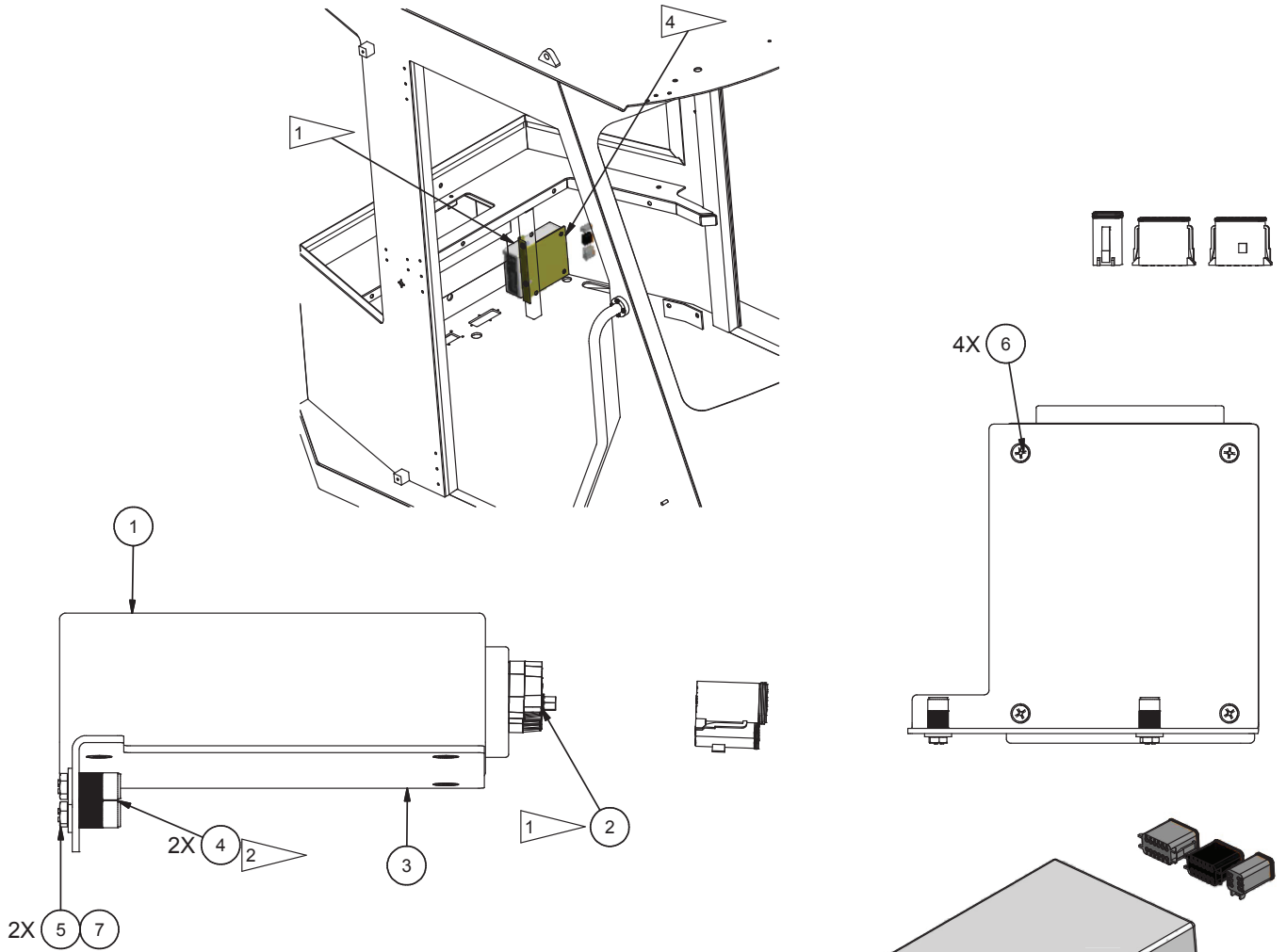


Controller Installation, Transmission



- NOTES:
- 1 CONTROLLER MOUNTS TO LH SIDE OF BULKHEAD SUPPORT TUBE.
 - 2 THREAD INSERTS ARE INSTALLED IN CAB PRIOR TO TEXTURED SURFACE.
 - 3 REFER TO ANSI SCHEMATIC FOR ELECTRICAL CONNECTIONS.
 - 4 USE 1" INSULATION BEHIND CONTROLLER

Item	Part No.	Qty	Description	Item	Part No.	Qty	Description
	591824		Controller Installation, Trans	4	240983	2	. Insert
1	591532	1	. Controller, Trans	5	18460W	2	. Capscrew
2	591772	1	. Wire Harness	6	296472W	4	. Capscrew
3	591630	1	. Plate, Mounting	7	R13802914	2	. Hard Washer

INTENTIONALLY LEFT BLANK