

---

Camera Installation

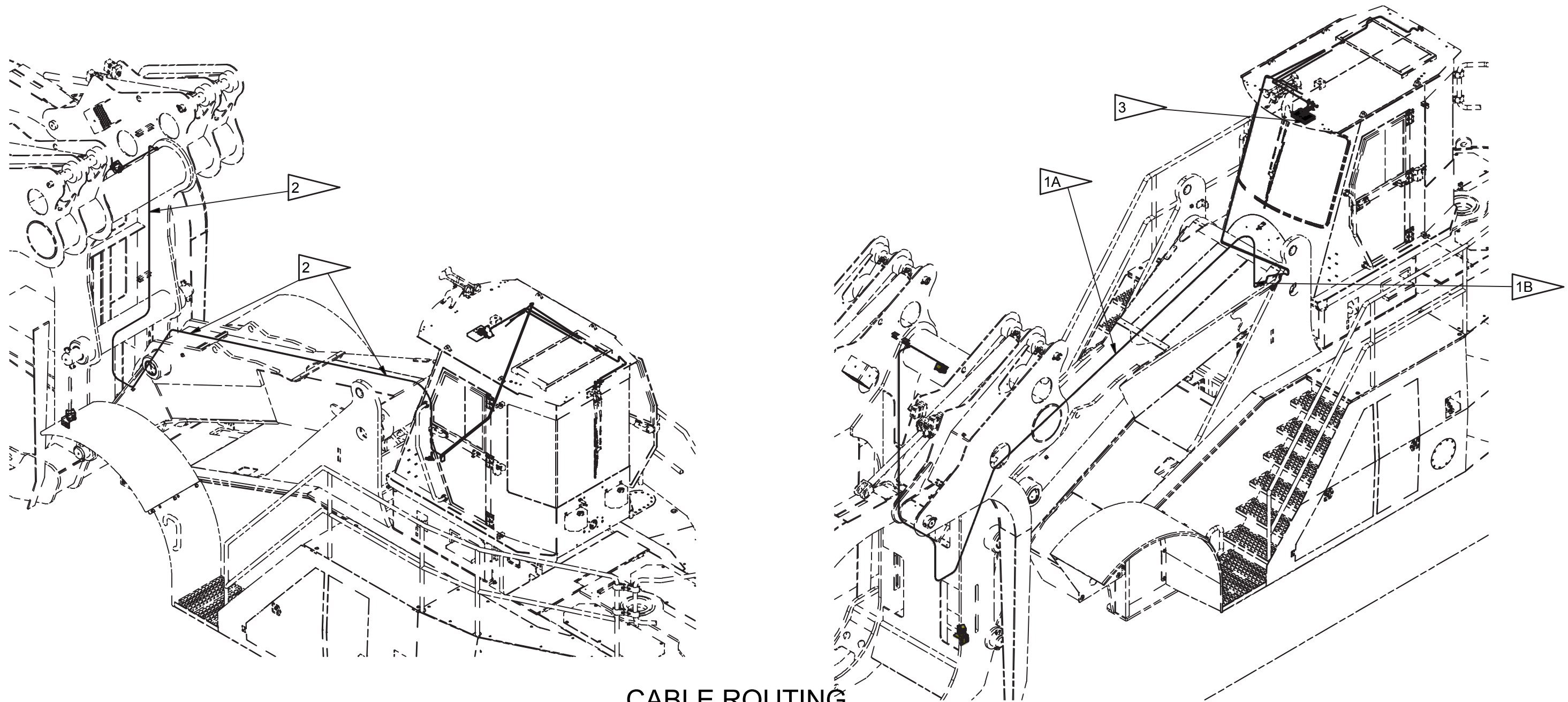
---

## Camera Installation

---

Item	Part No.	Qty	Description	Item	Part No.	Qty	Description
	<b>591820</b>		<b>Camera/Monitor Installation</b>				
1	* 593317	1	. Camera Installation, Cab	3	242601	15	. Cable Tie
2	* 593318	1	. Camera Installation, Carriage				

\* See Separate Coverage



**CABLE ROUTING**

- NOTES:
- 1 A) CABLES FROM CARRIAGE ROUTES ALONG BOOM.  
B) CABLES FROM CARRIAGE PLUGS INTO PIGTAILS BETWEEN CARRIAGE AND SUPERSTRUCTURE. CA2 TO CA2 ETC.
  - 2 SECURE CAMERA CABLE TO HYDRAULIC HOSES USING CABLE TIES. (NOT SHOWN)
  - 3 CONFIGURE MONITOR USING SHEET 2.