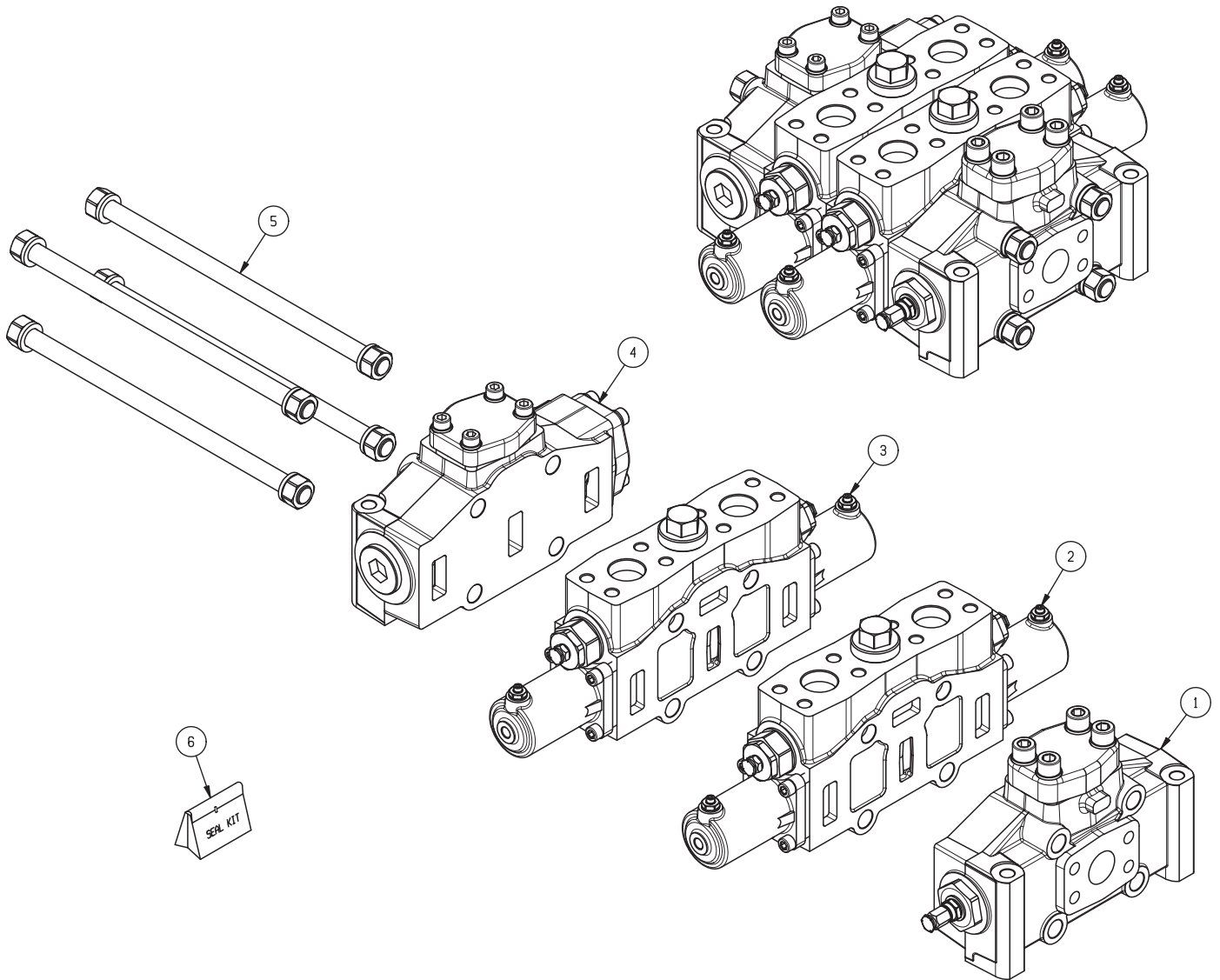


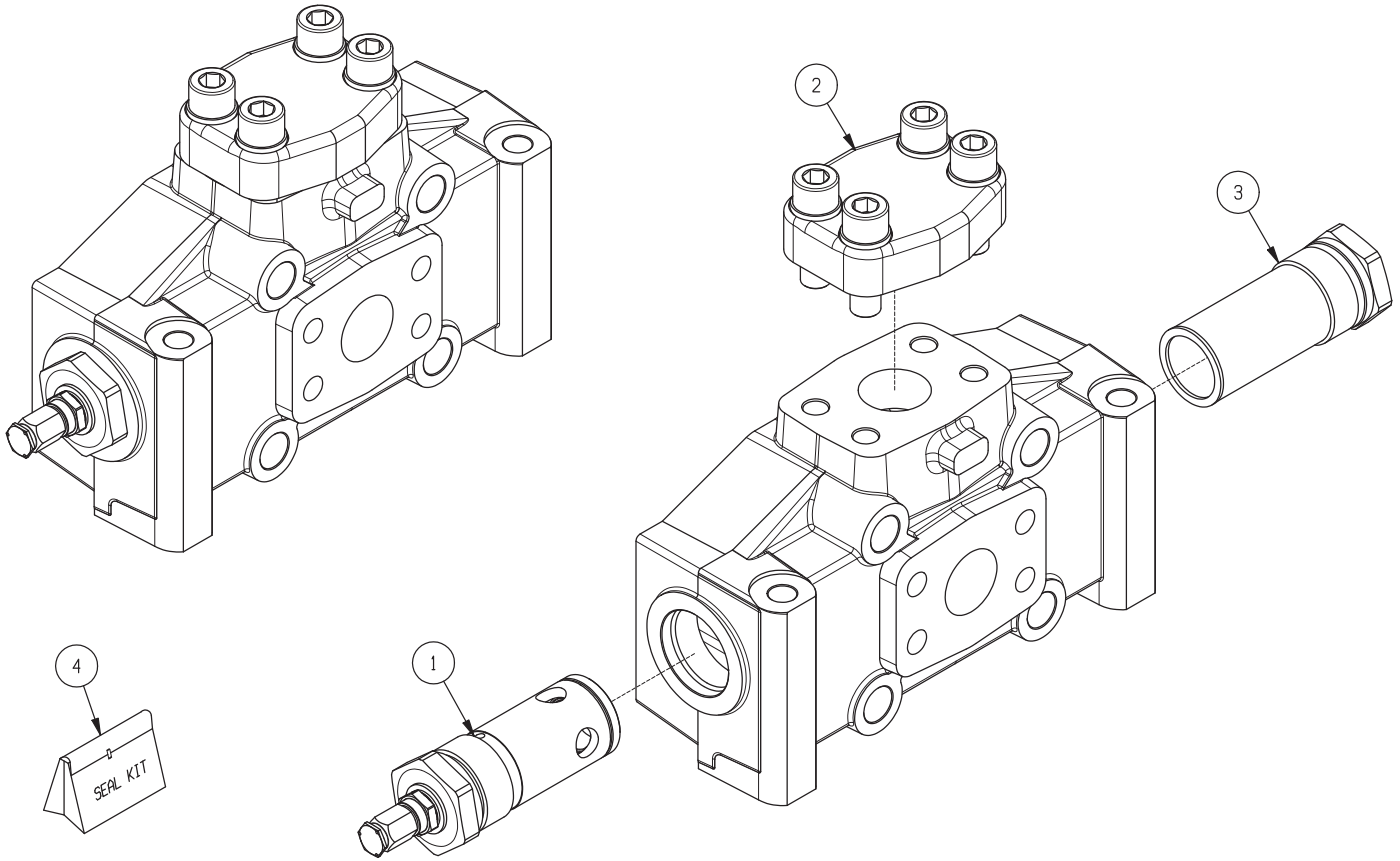
Valve, Hoist & Tilt



Item	Part No.	Qty	Description	Item	Part No.	Qty	Description
	<b>591626</b>		<b>Valve, Hoist &amp; Tilt</b>				
1	* 593478	1	. Inlet	5	593499	4	. Tie Rod W/ Nuts & Washers
2	* 593488	1	. Spool Valve	6	593514	1	. Seal Kit, Assembly
3	* 593489	1	. Spool Valve				
4	* 593479	1	. Outlet				

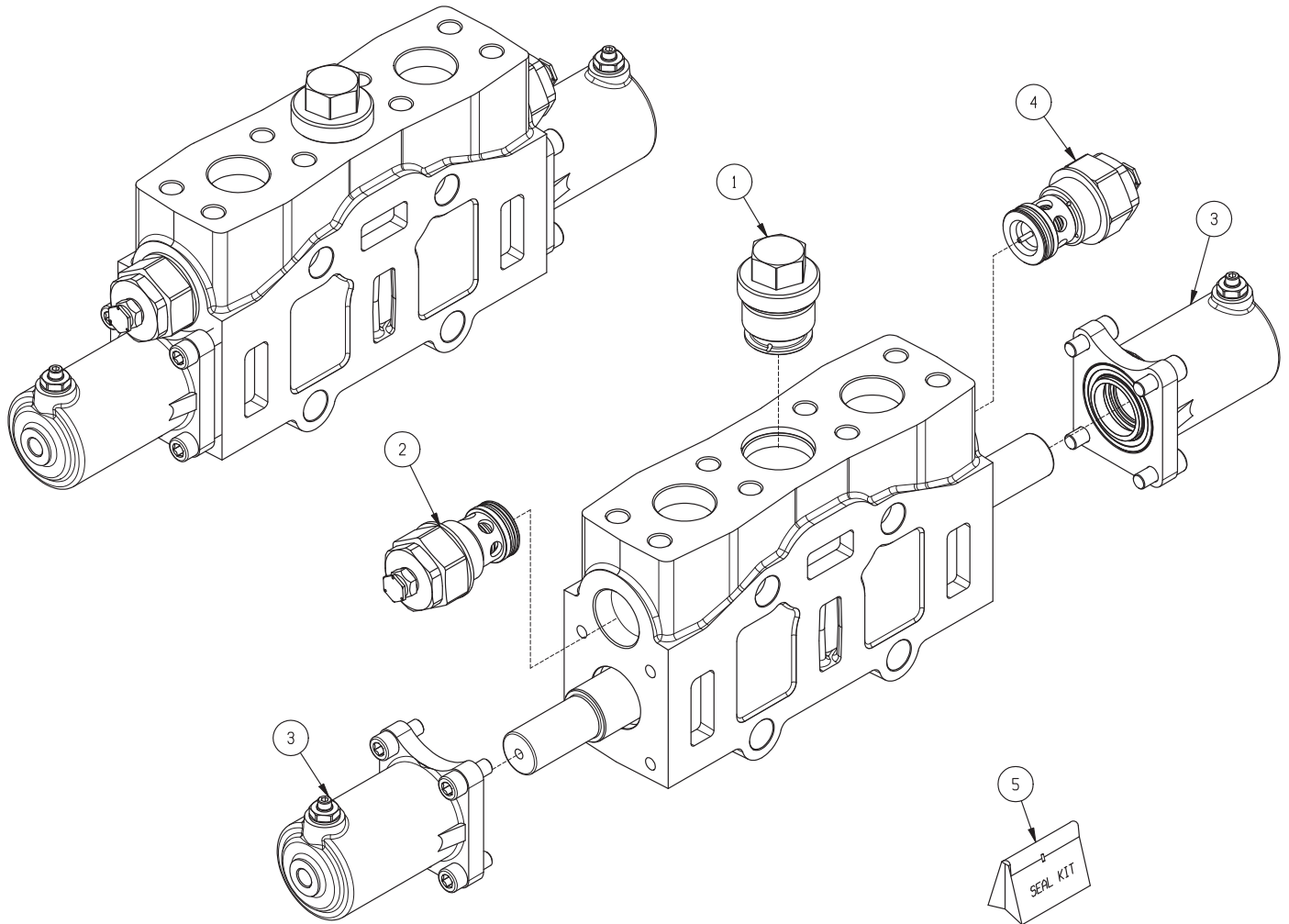
\* See Sepatare Coverage Following Pages

# Inlet



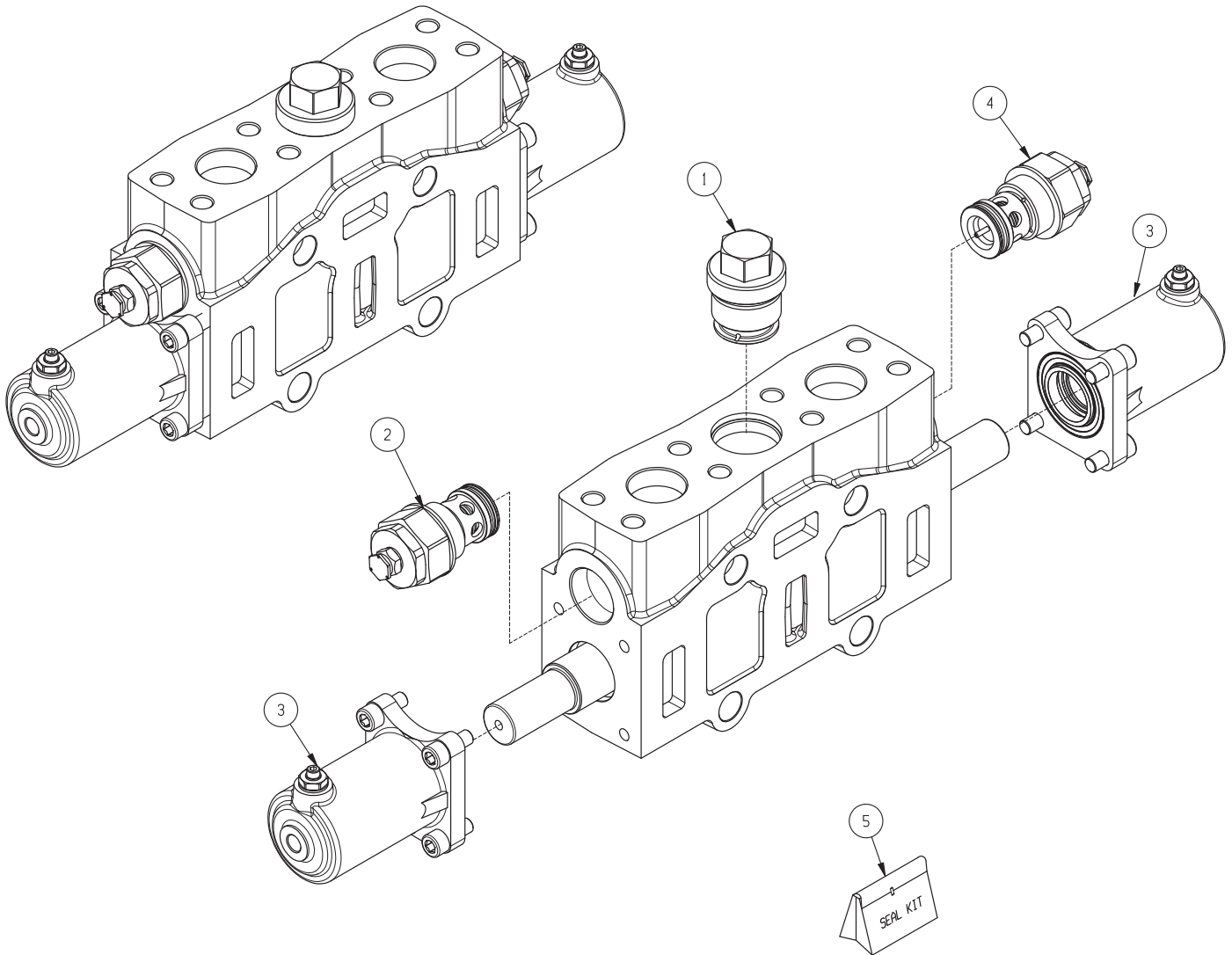
Item	Part No.	Qty	Description	Item	Part No.	Qty	Description
	<b>593478</b>		<b>Inlet</b>				
1	593477	1	. Relief Valve				
2	593497	1	. Cap				
3	593507	1	. Relief Valve, Plugged				
4	593512	1	. Kit, Seal				

# Spool Valve



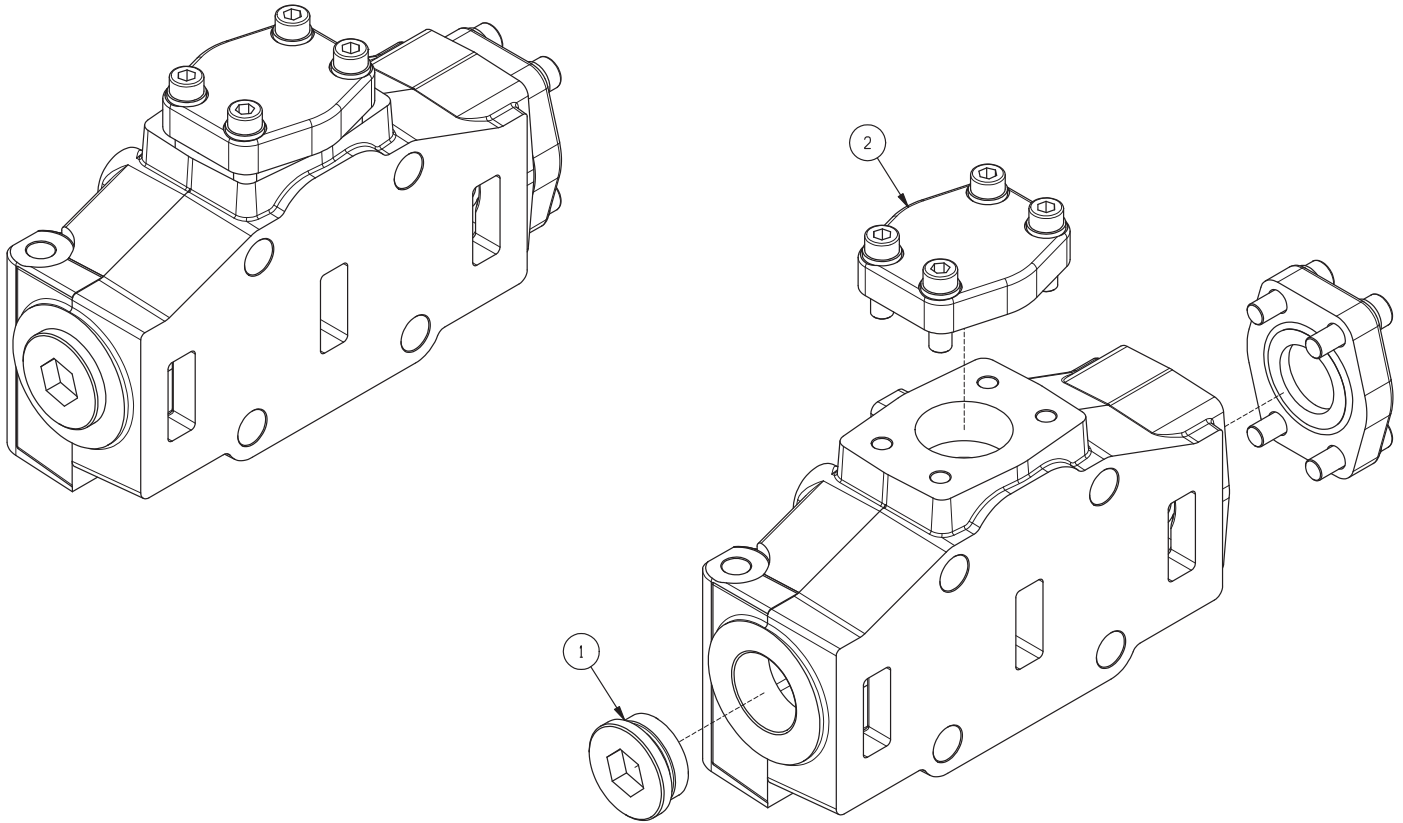
Item	Part No.	Qty	Description	Item	Part No.	Qty	Description
	<b>593488</b>		<b>Spool Valve</b>				
1	593501	1	. Valve, Check				
2	593482	1	. Valve				
3	593503	2	. Spool Return				
4	593493	1	. Valve				
5	593513	1	. Seal Kit				

# Spool Valve



Item	Part No.	Qty	Description	Item	Part No.	Qty	Description
	<b>593489</b>		<b>Spool Valve</b>				
1	593501	1	. Valve, Check				
2	593483	1	. Valve				
3	593503	2	. Spool Return				
4	593494	1	. Valve				
5	593513	1	. Seal Kit				

# Outlet



Item	Part No.	Qty	Description	Item	Part No.	Qty	Description
	<b>593479</b>		<b>Outlet</b>				
1	593495	1	. Plug				
2	593496	2	. Flange				

---

**Intentionally Left Blank**