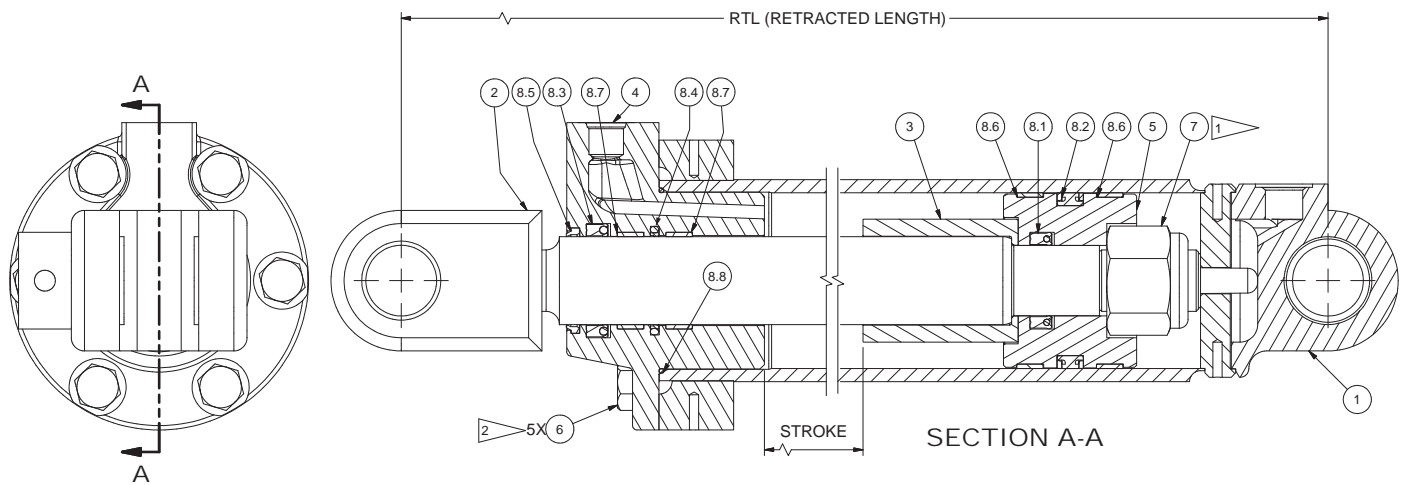
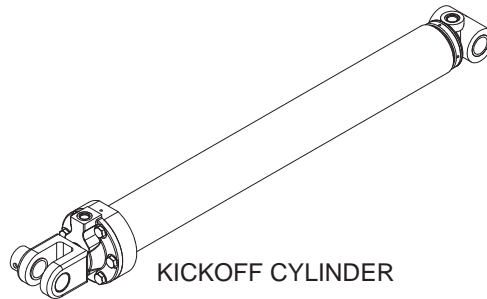


Cylinder Assembly, KO



**NOTE:**

- 1. TORQUE NUT TO 1400 FT-LB
- 2. REMOVE DIRT, LOOSE SCALE, BURRS, AND PAINT FROM MATING SURFACES OF BOLTED JOINTS. USE MEDIUM STRENGTH LOCTITE THREADLOCKER 242 (BLUE).

Item	Part No.	Qty	Description	Item	Part No.	Qty	Description
	<b>591437</b>		<b>Cylinder Assembly, KO</b>				
1	591438	1	. Barrel	8	590576	1	. Kit, Packing
1.1	505664	2	.. Bushing	8.1	Y437152.129	1	.. Seal
2	591440	1	. Stem	8.2	69770.0500	1	.. Seal, Piston
2.1	505880	2	.. Bushing	8.3	251514	1	.. Seal
3	592256	1	. Tube, Stop	8.4	69768.0250	1	.. Seal, Buffer
4	591505	1	. Packing Gland	8.5	20545	1	.. Wiper Ring
5	590553	1	. Piston	8.6	70384.0500	2	.. Wear Ring, Piston
6	293710W	6	. Capscrew	8.7	70385.0250	2	.. Wear Ring, Rod
7	219929	1	. Nut, Esna	8.8	233126	1	.. O-Ring