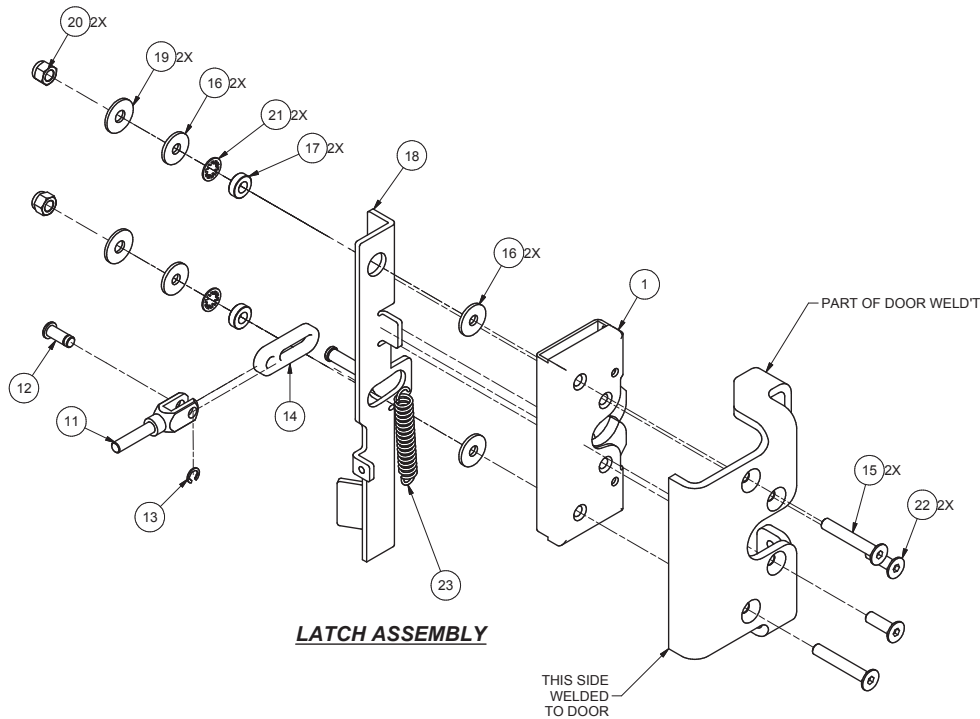
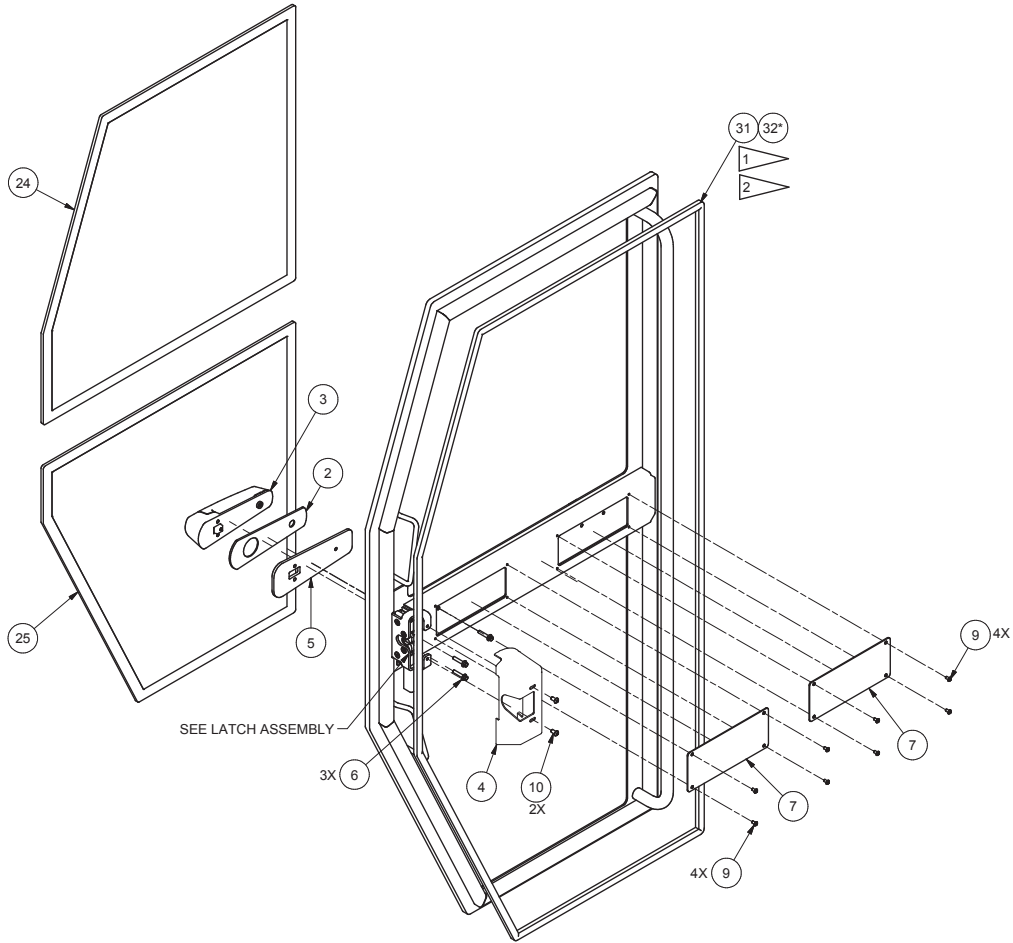


---

Door Assembly, RH

# Door Assembly, RH



**LATCH ASSEMBLY**

NOTES:  
 1: INSTALL SEAL AS A CONTINUOUS PIECE AROUND TOP, FRONT, & BOTTOM SIDES OF THE DOOR. MITER CUT AT THE 90° CORNERS TO PREVENT FOLDING SEAL. GLUE MITERED CORNERS.  
 2: IF SEAL CATCHES ON DOOR TRIM ON HINGE SIDE OF DOOR, THE BACK SECTION OF D-SEAL MAY BE REPLACED WITH ITEM 32 FLAT TRIM. GLUE FLAT SEAL AND ENDS OF D-SEAL TOGETHER.

\* THIS IS USED AS REQUIRED, SEE NOTE 2.

# Door Assembly, RH

Item	Part No.	Qty	Description	Item	Part No.	Qty	Description
	<b>591401</b>		<b>Door Assembly, RH</b>				
1	258891	1	. Latch Case Assembly	18	258890	1	. Lever, Rh
2	258711	1	. Gasket	19	258899	2	. Washer
3	258685	1	. Handle, Pull	20	258898	2	. Locknut
	596376	1	. Key Set	21	258901	2	. Spring Washer
4	586571	1	. Cover ,Rh Latch	22	258893	2	. Screw
5	586550	1	. Plate, Spacer	23	258904	1	. Spring, Return
6	258864	3	. Screw	24	586619	1	. Glass, Door
7	586551	2	. Plate, Cover	25	586620	1	. Glass, Door
8	586530	1	. Door Weldment, Rh	26	590053	1	. Striker Weldment
9	249395	8	. Capscrew	27	R13811014	2	. Capscrew
10	18717W	2	. Capscrew	28	R13802914	2	. Hard Washer
11	258892	1	. Yoke, Linkage	29	588937	1	. Spacer, Striker
12	258905	1	. Pin, Fastener	30	588938	1	. Spacer, Striker
13	258897	1	. Ring, Retainer	31	595993	195"	. Seal, Door
14	258896	1	. Link	32	596083-66	1	. Seal, Door
15	258894	2	. Screw				
16	258902	4	. Washer				
17	258903	2	. Spacer, Latch				

