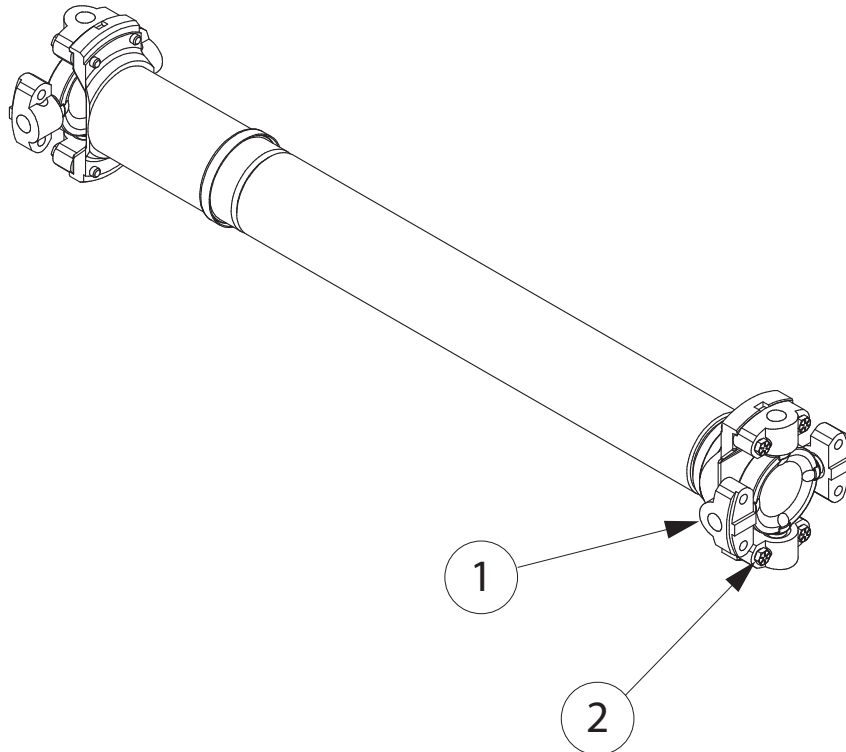


Driveline



Item	Part No.	Qty	Description	Item	Part No.	Qty	Description
	591376		Driveline				
1	592782	2	. U-Joint				
2	221575W	8	. Capscrew				

Intentionally Left Blank