
Decal Locations

Decal Locations

Item	Part No.	Qty	Description	Item	Part No.	Qty	Description
591354				Finis/Decal Locations			
2	557352	1	. Decal, Pressurized Breather	65	561587	48	. Shipping Plate
3	219382	2RL	. Tape, Non-Skid	66	223061	1	. Decal, Warning Voltage
4	*b 251334	22GL	. Paint, Flat Black	67	*b 235720	70GL	. Lubricant, Gear
5	529474	30'	. Decal, Racing Stripe	68	1321665W	3	. Decal - Warning
6	563640	1	. Decal, Oil Fill	69	587641	2	. Cover Plate
7	504195	1	. Nameplate, Diesel Fuel	70	587642	2	. Seal, Cover
8	558506	1	. Decal, Wagner	71	18619W	4	. Capscrew
9	547451	2	. Decal, Warning	72	587058	2	. Label, Implement Pump Inlet
10	547453	2	. Decal, No Riders	73	587059	1	. Label, Steering Pump Inlet
11	590995	3	. Decal, Wagner	75	587061	1	. Label, Radiator Fan Pump In
12	539197	3	. Decal, Fire Extinguisher	77	587065	1	. Label, Rad. Fan Pump Pres.
13	539226	2	. Decal, Fire Extinguisher	78	587066	2	. Label, Implement Pump Pres.
14	*a 582769	1	. Fire Extinguisher Installation	79	587067	1	. Label, Steering Pump Pres.
15	558098	1	. Plate, Name/SN	80	587068	1	. Label, Brake Pump Pres.
16	243274	1	. Valve, Hi-Press	81	587069	1	. Label, Orbitrol Supply Pres.
17	560276	1	. Decal, Tank Pressure	82	587070	1	. Label, Brake System Pres.
18	504197	1	. Nameplate, Hydraulic Oil	83	587071	1	. Label, Pilot System Pres.
19	561918	1	. Decal, Strainer	84	587072	1	. Label, Brake Cooling Inlet
20	557353	1	. Decal, Filter Pressure	85	587073	1	. Label, Brake Cooling Return
21	587606	3	. Decal, Element 587386	86	587090	1	. Label, Steering Filter
22	587607	1	. Decal, Filter Element 587384	87	587091	2	. Label, Main Filter
23	557118	1	. Decal, Trans Oil Fill	88	587092	1	. Label, Brake/Pilot Filter
24	528880	2	. Decal, Trans Oil Level/Idle	91	587095	1	. Label, Transmisison Pres.
25	579532	1	. Decal, Element 247429	92	587096	1	. Label, Converter In Pres.
26	243458	2	. Element, Filter	93	587097	1	. Label, Converter Out Pres.
28	247429	2	. Element	96	587100	1	. Label, Transmission Lube Pres
29	557494	1	. Decal, Battery Disconnect	97	587101	1	. Label, Forward Clutch Pres.
30	505158	1	. Decal, Trans Instruction	98	587102	1	. Label, Reverse Clutch Pres.
31	593319	2	. Decal, L115F	99	587103	1	. Label, Return Filter
32	587384	1	. Element, Filter	100	587104	1	. Label, Transmission Filter
33	*b 236077	10GL	. Oil, Engine	102	FD70000434	2	. Decal, Manufactured In USA
36	587608	1	. Decal, Trans Operation	103	586693	1	. Nameplate, FOPS
37	563641	1	. Decal, Oil Check	105	*c 591654	1LB	. Grease
38	557341	1	. Decal, Warning - Op Manual	106	572863	2	. Decal, Confined Space Entry
40	592855	1	. Decal, Wheel Nuts	107	576856	2	. Decal, Warning - Welding
41	504204	1	. Decal, Caution-Don't Reverse	108	573434	2	. Bracket, Shipping
42	560278	2	. Decal, Caution-Baffle Plate	109	593321	1	. Label, Brake Pump Inlet
43	*b 238206	550GL	. Oil, Hydraulic	110	593322	1	. Label, Trans Cooler Pump Inlet
44	*b 238206	20GL	. Oil, Hydraulic	111	593323	1	. Label, Trans Cooler Pump Pres.
45	906581	1	. Decal, Emission Control Info.	112	593324	1	. Label, Trans Pump Inlet
46	587028	1	. Nameplate, Load Capacity	113	593325	1	. Label, Trans Pump Pres.
47	542918	10,000LB	. Ballast Weight	114	593326	1	. Label, Radiator System Pres.
48	589178	9600LB	. Ballast	115	593327	1	. Label, Trans Oil Cooler Sys Pres.
49	*b 243090	17GL	. Paint, Yellow Primer	116	*b 593683	16	. Bucket, W/Lid
50	516699	2	. Plate, Cover	117	*b 246089	2GL	. Paint, Freeman White Acrylic
51	541869	2	. Plate, Cover	118	*d 209091	6	. Fitting
52	222737	2TB	. Sealer, Edge	119	*d 209088	6	. Fitting
53	558533	1	. Wrench, Fire Extinguisher	120	*d 211363	5	. Fitting
54	*b 221340	20GL	. Anti-Freeze	121	*d 14101	5	. Fitting
55	228041	1	. Coupler	122	*d 215515	8	. Fitting
56	231135	1	. Gauge	123	*d R12578136	8	. Fitting
57	537788	1	. Wrench, Spindle Nut	124	*d 211563	9	. Fitting
58	*b 219373	220GL	. Oil, Diesel Fuel	125	*d 14114	9	. Fitting
59	587386	3	. Element, Filter	126	*d 209090	4	. Fitting
60	563463	1	. Ballast Arrangement	127	*d 209089	4	. Fitting
61	*b 242997	40GL	. Paint, W/R Yellow Finish				
62	*b 246089	4GL	. Paint, Freeman White Acrylic				
63	*b 219374	35LB	. Oil, Grease				

*a See Separate Coverage

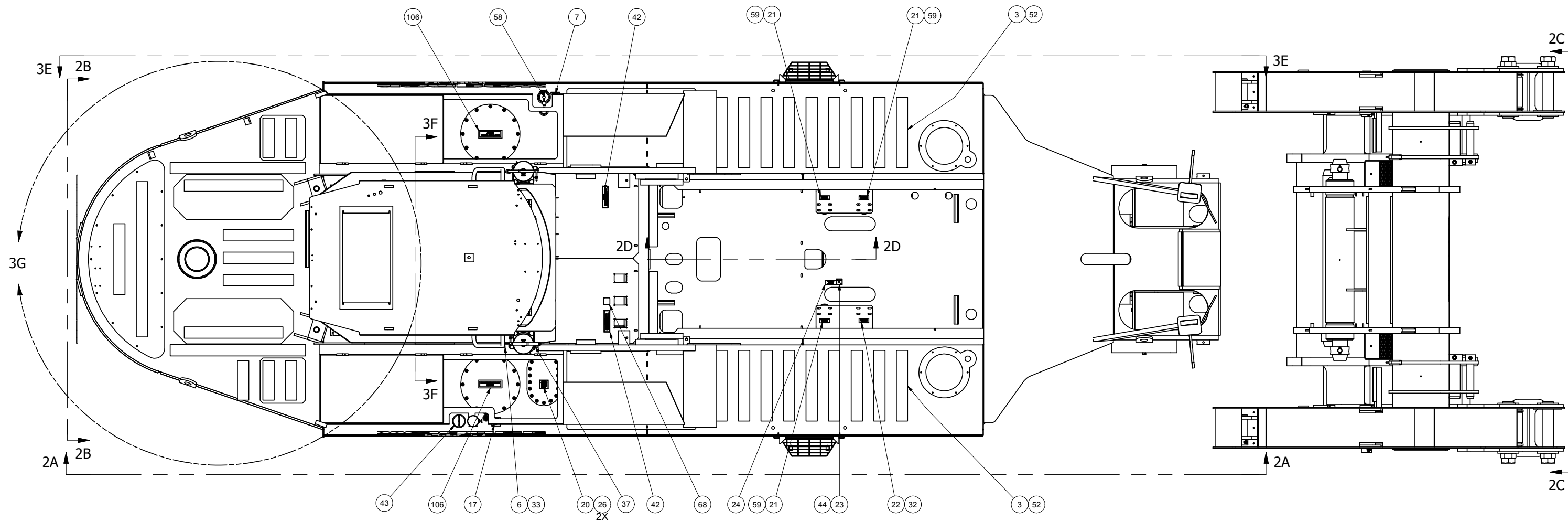
*b Items Not Shown

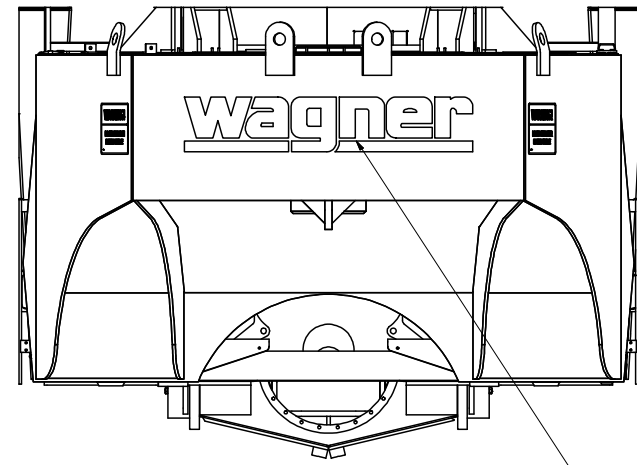
*c Add To Driveline Slip And U-Joints

*d Plugs & Caps For Shipping, Not Shown

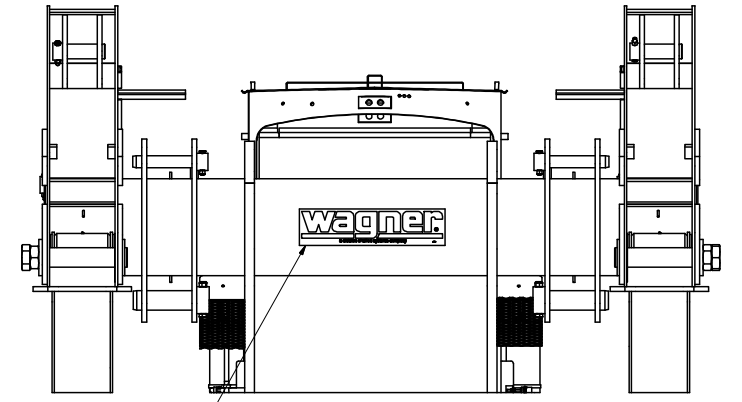
Note:

Item 72 Thru Item 100 And Item 109 Thru Item 115 Are Test Port, Pump, And Filter Labels. Use The ANSI Hydraulic Schematic And Hydraulic System Transmission Documentation For Port And Filter Locations.

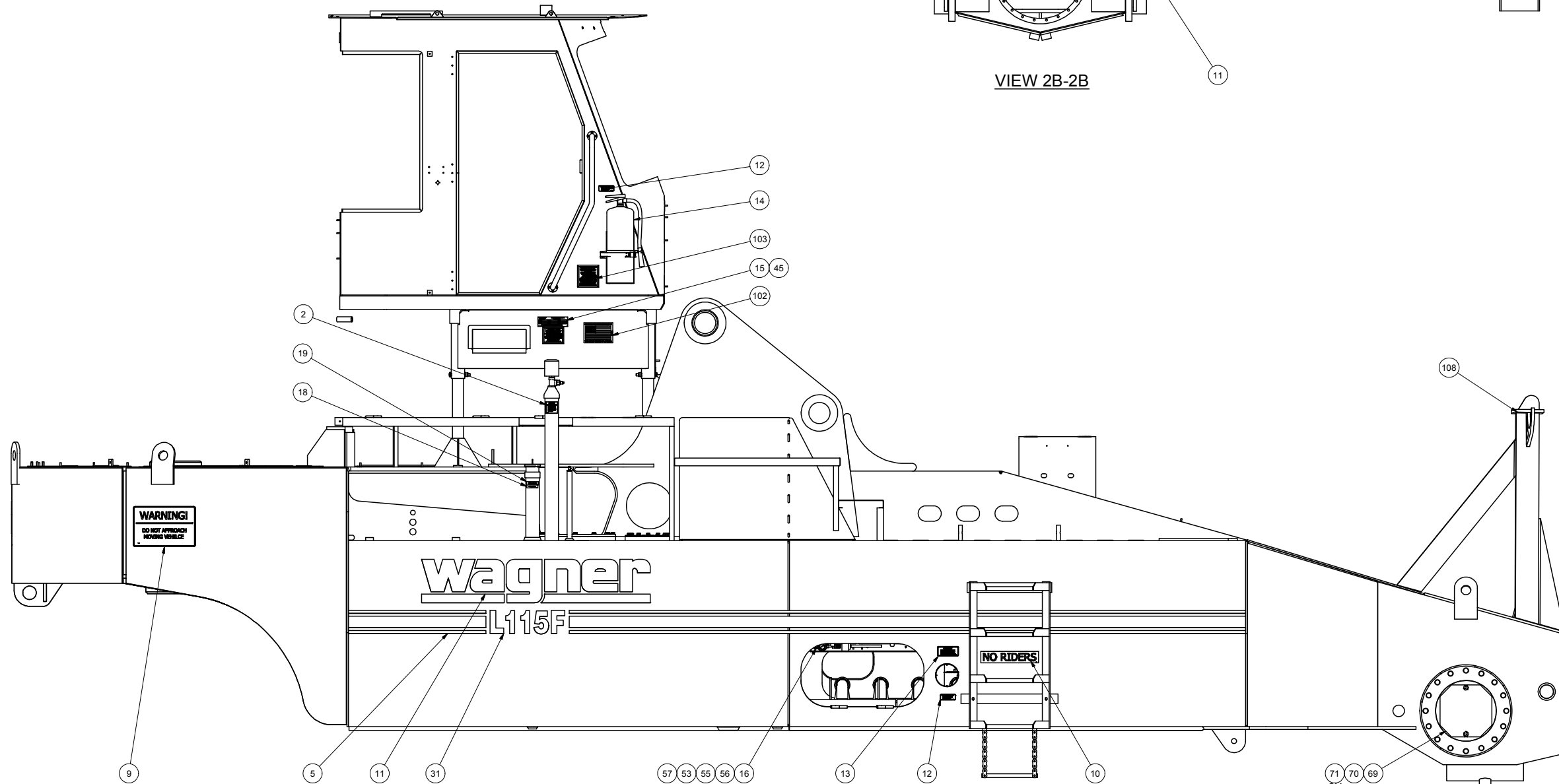




VIEW 2B-2B



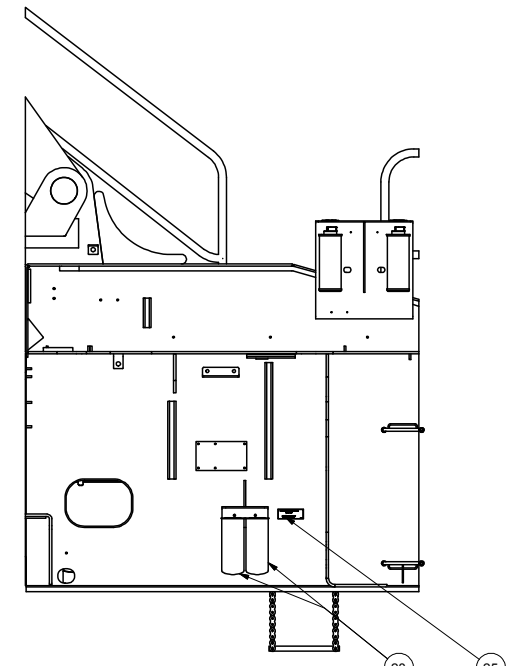
VIEW 2C-2C



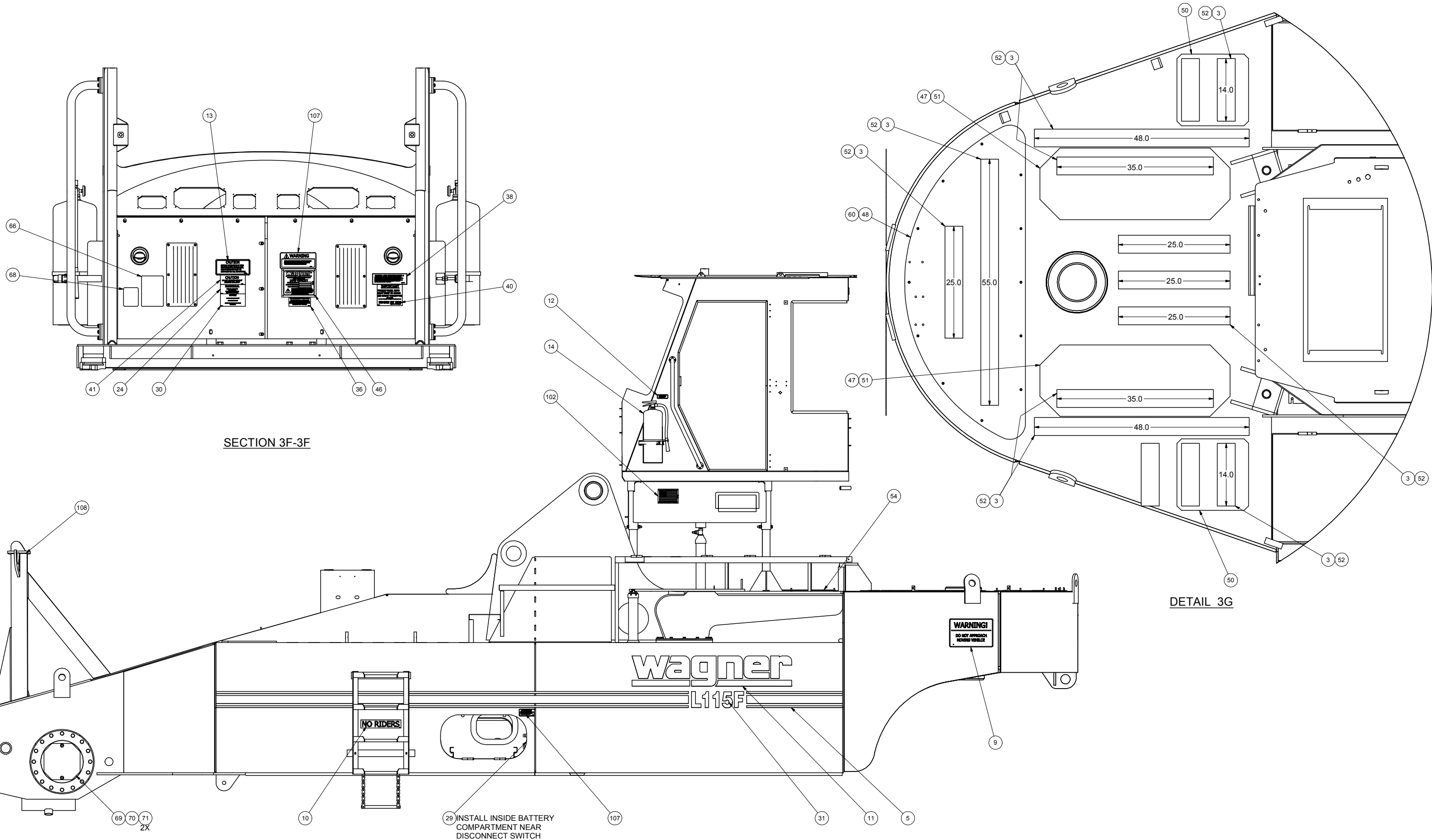
VIEW 2A-2A

57 53 55 56 16
SECURE ITEMS
IN TOOL BOX

71 70 69
2X



SECTION 2D-2D



SECTION 3F-3F

DETAIL 3G

29) INSTALL INSIDE BATTERY COMPARTMENT NEAR DISCONNECT SWITCH

VIEW 3E-3E