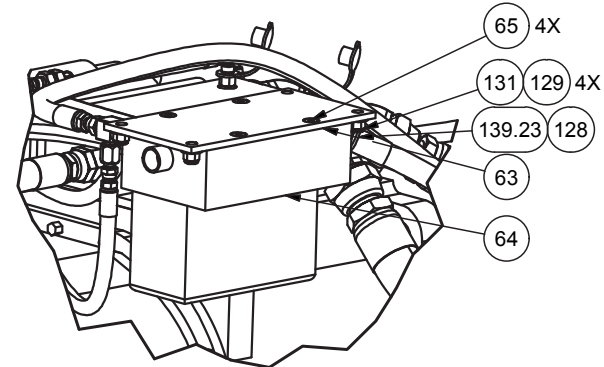

Transmission Circuit

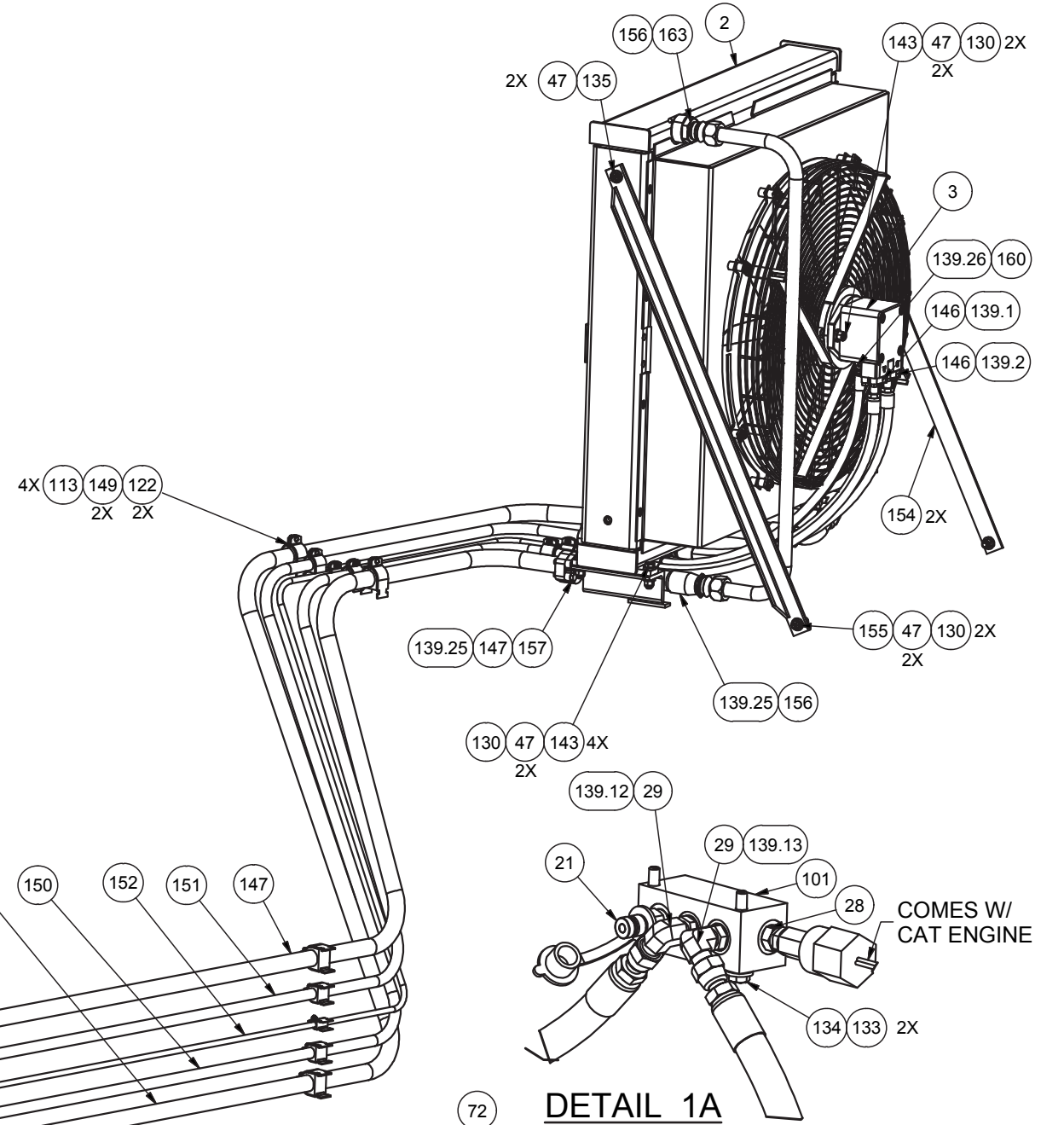
Transmission Circuit

Item	Part No.	Qty	Description	Item	Part No.	Qty	Description
	591350		Transmission Circuit				
1	12721	1	. Kit, Split Flange	139	592750	1	. Kit, Hose
	203519	1	. . O-Ring	139.1	593696	1	. . Hose Assembly
2	* 592793	1	. Radiator	139.2	593696	1	. . Hose Assembly
3	593454	1	. Motor, Vane	139.3	593697	1	. . Hose Assembly
4	254082	1	. Fan, Sucker	139.4	21707	1	. . Hose Assembly
8	592897	1	. Fitting	139.5	243352	1	. . Hose Assembly
10	14274	2	. Fitting	139.6	245587	1	. . Hose Assembly
18	* 584259	1	. Filter Assembly	139.7	589118	1	. . Hose Assembly
19	R330325	2	. Coupler, Male	139.8	589425	1	. . Hose Assembly
20	209619	1	. Fitting	139.9	244121	1	. . Hose Assembly
21	R14040	4	. Coupler, Male	139.10	589118	1	. . Hose Assembly
22	586387	2	. Fitting	139.11	243318	1	. . Hose Assembly
26	203519	1	. O-Ring	139.12	593698	1	. . Hose Assembly
28	252358	1	. Fitting	139.13	256505	1	. . Hose Assembly
29	11860	3	. Fitting	139.14	249458	1	. . Hose Assembly
30	513759	1	. Flange	139.15	249458	1	. . Hose Assembly
31	208202	1	. Fuel Cap	139.16	249458	1	. . Hose Assembly
32	521873	1	. Pipe	139.17	591049	1	. . Hose Assembly
33	00454045	1	. Coupling, Reducer	139.18	239931	1	. . Hose Assembly
34	229506	1	. Fitting	139.19	593699	1	. . Hose Assembly
35	563666	1	. Dipstick	139.20	593700	1	. . Hose Assembly
37	229257	1	. Fitting	139.21	201439	4'	. . Suction Hose
38	563665	1	. Nipple, Pipe	139.22	593701	1	. . Hose Assembly
41	R13801760	1	. Fitting	139.23	593703	1	. . Hose Assembly
45	203056	2	. Draincock	139.24	591482	1	. . Hose Assembly
47	221771W	26	. Washer	139.25	593702	1	. . Hose Assembly
51	221576W	4	. Capscrew	139.26	237828	1	. . Hose Assembly
55	209405	4	. Fitting	140	R13805383	1	. Fitting
57	209750	5	. Fitting	141	212097	1	. Fitting
63	567040	1	. Bracket, Solenoid	143	R13811077	6	. Capscrew
64	* 578293	1	. Module, Valve	144	214128	1	. Fitting
65	232054	4	. Capscrew	145	210084	1	. Fitting
69	247429	2	. Element	146	15383	2	. Kit, Split Flange
72	* 228640	1	. Converter, Bypass Reg	147	592747	1	. Tube
89	Y17C-0616	4	. Capscrew	148	592751	1	. Tube
101	39503	1	. Manifold	149	231250	10	. Clamp
103	11767	2	. Kit, Split Flange	150	592752	1	. Tube Assembly
	203516	1	. . O-Ring	151	592753	1	. Tube Assembly
104	209486	2	. Fitting	152	592755	1	. Tube Assembly
105	209752	1	. Fitting	153	YMHA 022-3.75	1	. Bar
106	583159	1	. Fitting	154	592757	2	. Angle, Support
113	231251	5	. Clamp	155	221569W	2	. Capscrew
115	218815	1	. Fitting	156	592760	1	. Tube
116	219321	4	. T-Bolt Clamp	157	592862	4	. Kit, Split Flange
117	14857	1	. Fitting	158	209490	2	. Fitting
118	586841	2	. Fitting	160	211550	1	. Fitting
122	231248	8	. Clamp	161	209810	4	. Fitting
125	209940	1	. Fitting	162	251400	2	. Hex Nut
128	209796	1	. Fitting	163	592889	1	. Fitting
129	221767W	8	. Hard Washer	164	251570	1	. Thermistor, Oil/Air/Water Temp
130	R13811193	12	. Locknut	165	209511	1	. Fitting
131	R13811191	4	. Locknut	166	587673	1	. Coupler, Diagnostic
133	221763W	2	. Washer	167	229666	1	. Fitting
134	R13810997	2	. Capscrew	168	211562	1	. Fitting
135	200454W	6	. Capscrew				

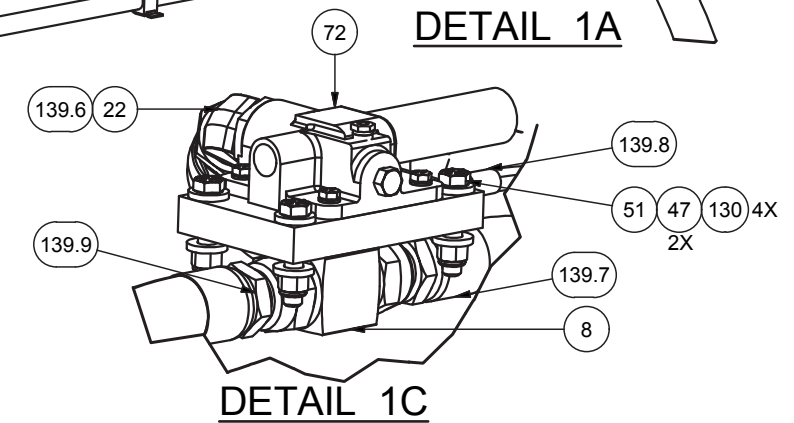
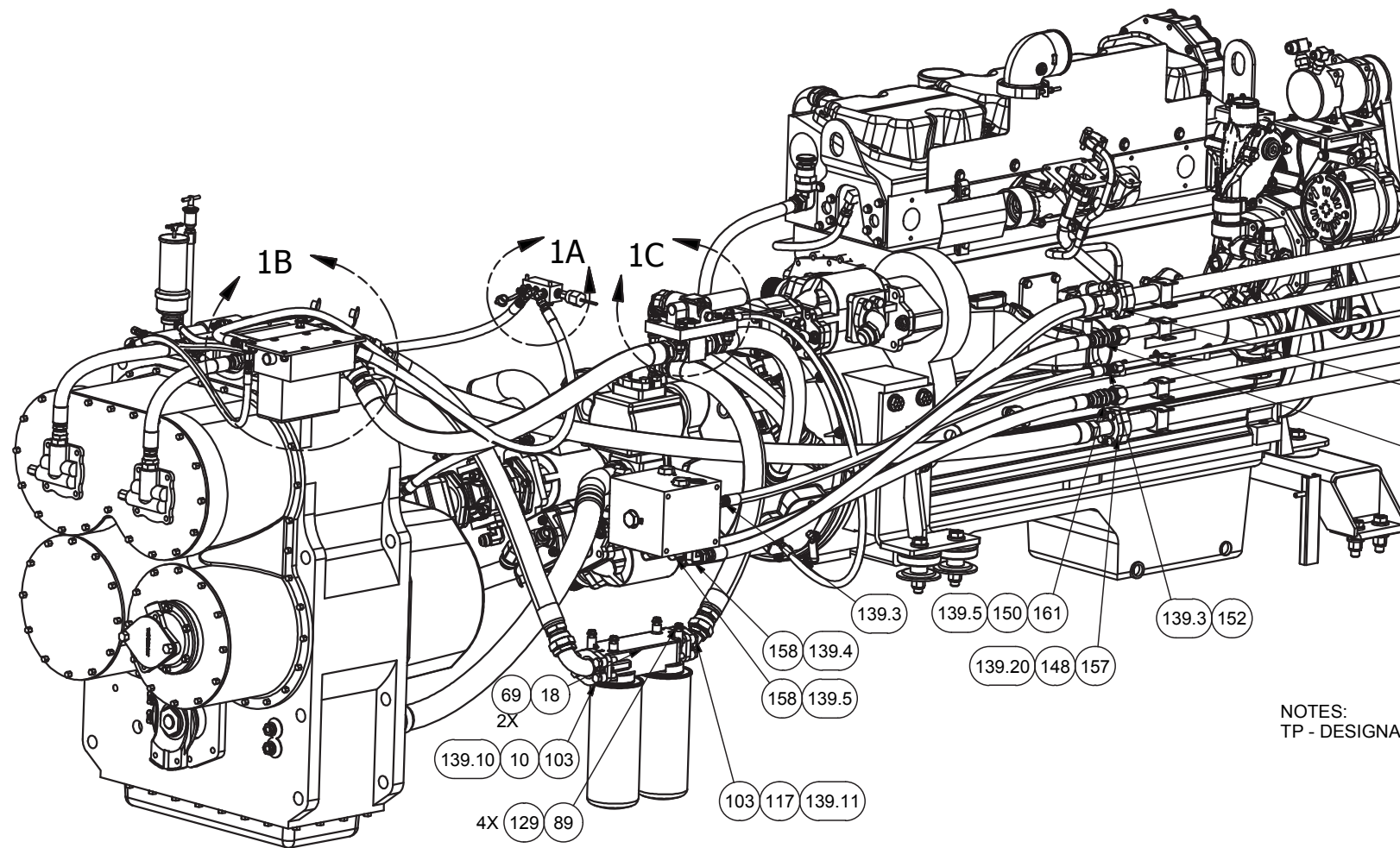
* See Separate Coverage



DETAIL 1B

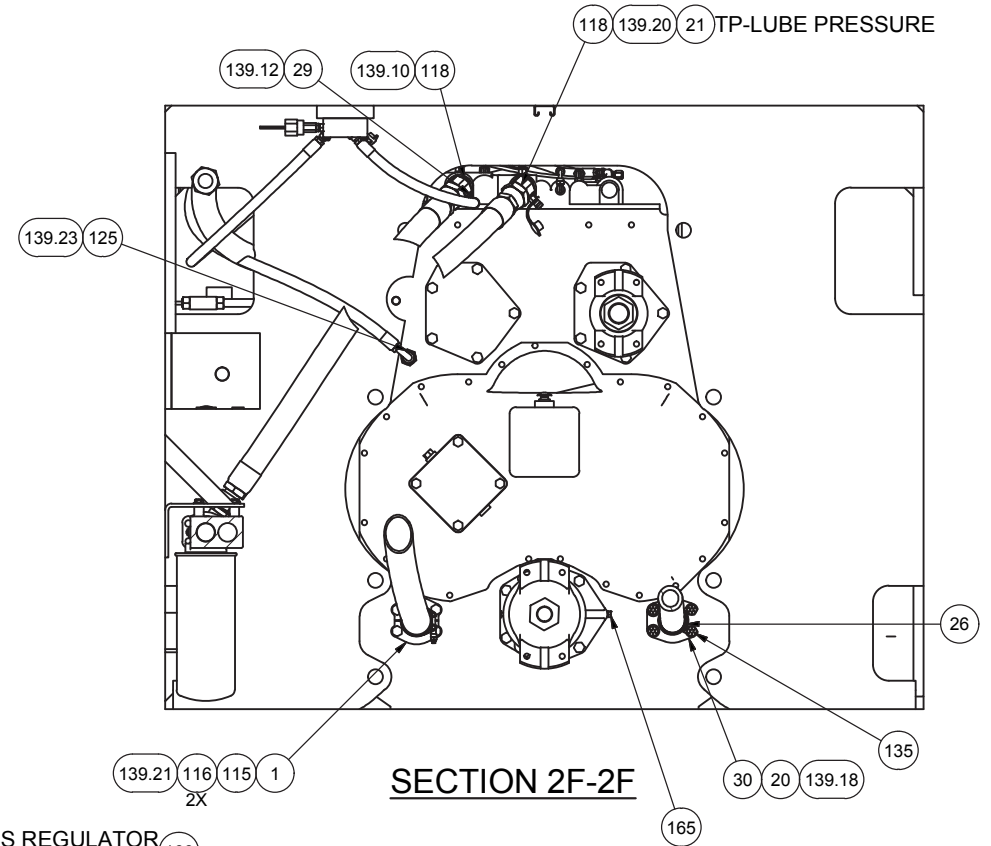
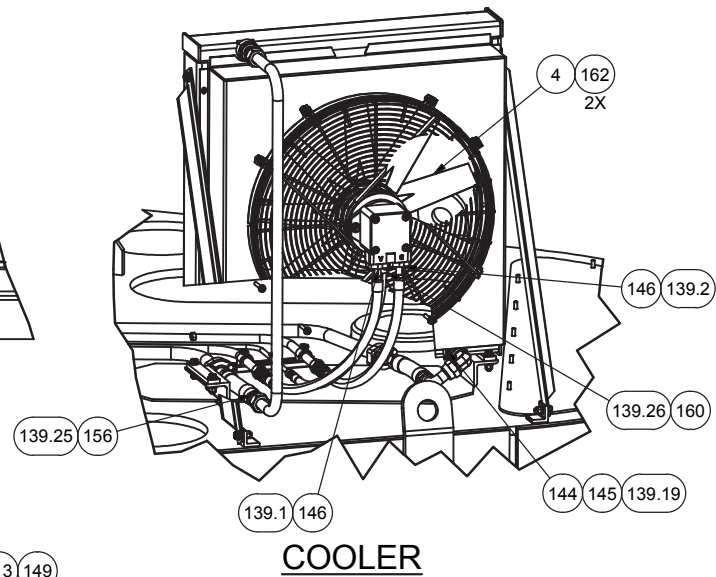
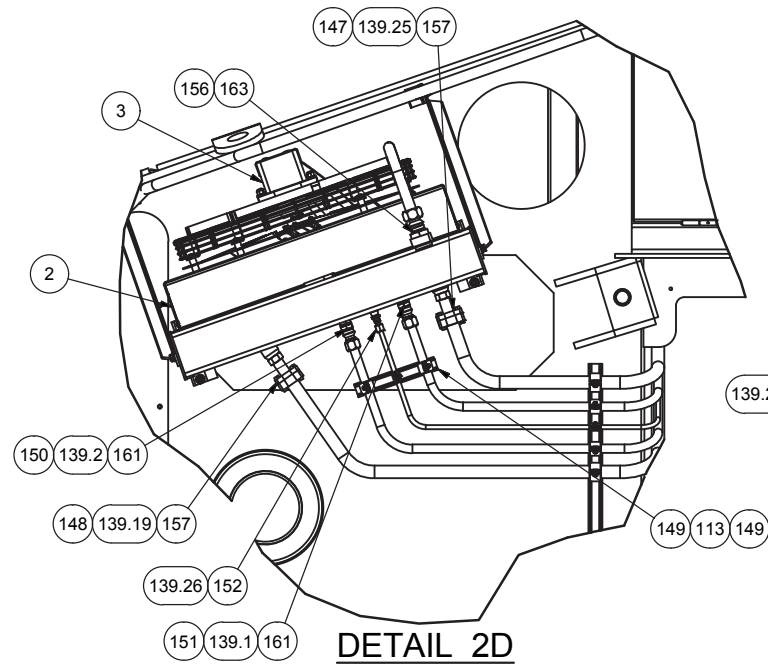
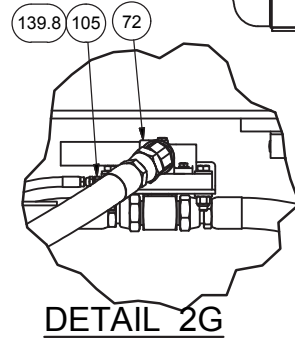
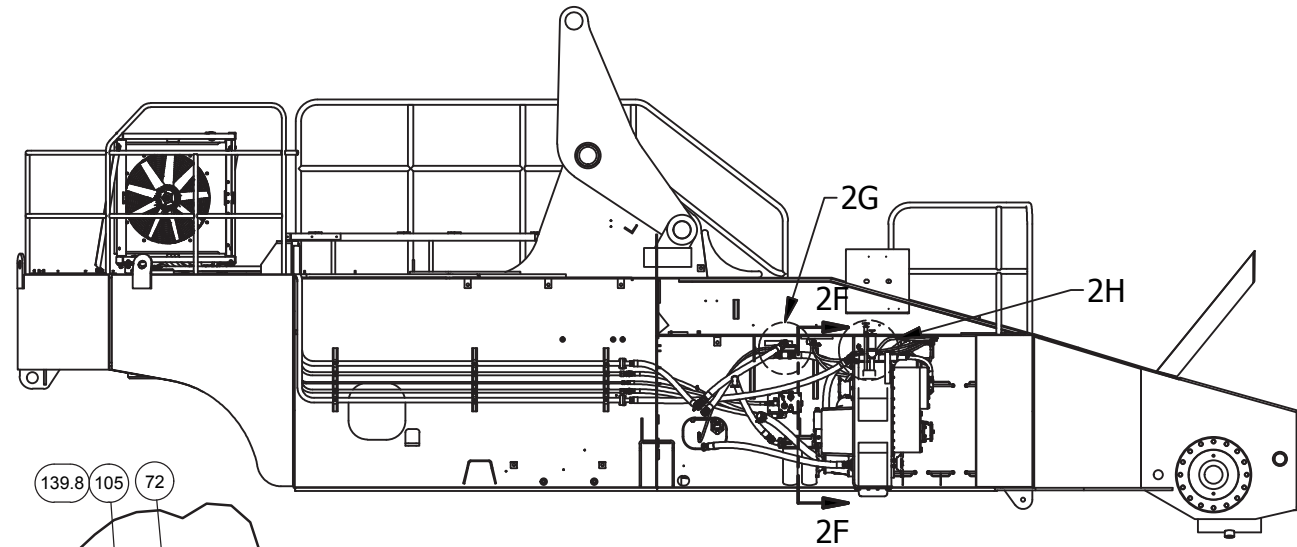
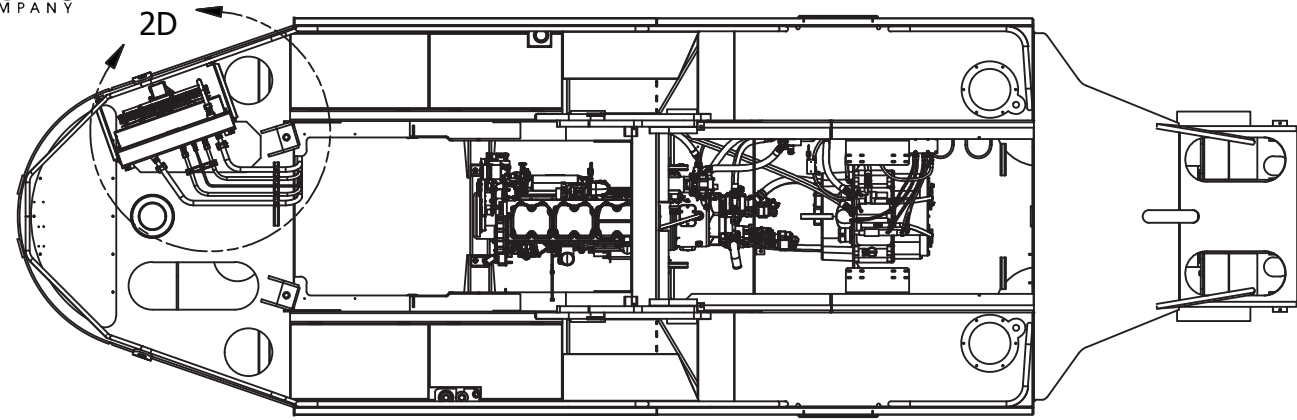


DETAIL 1A

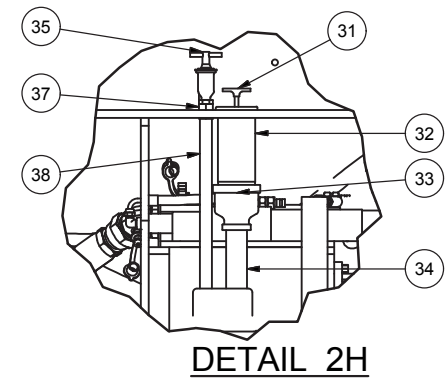
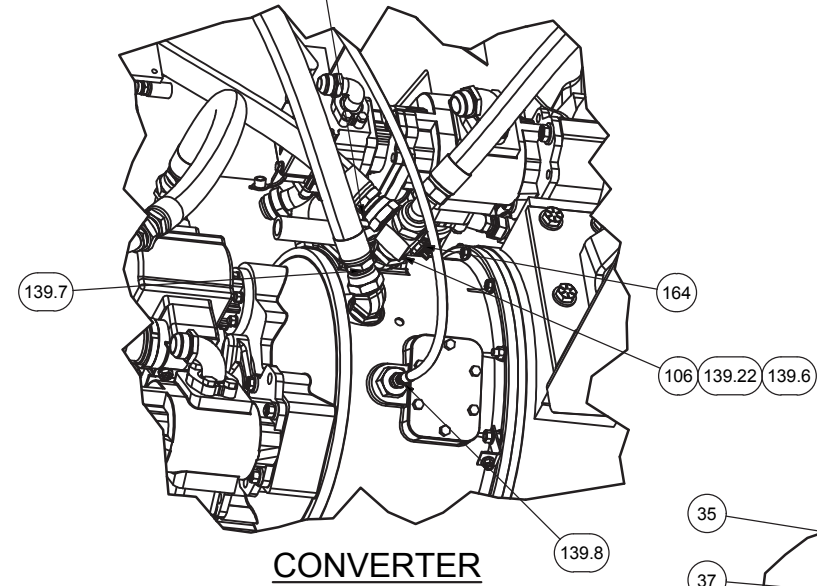


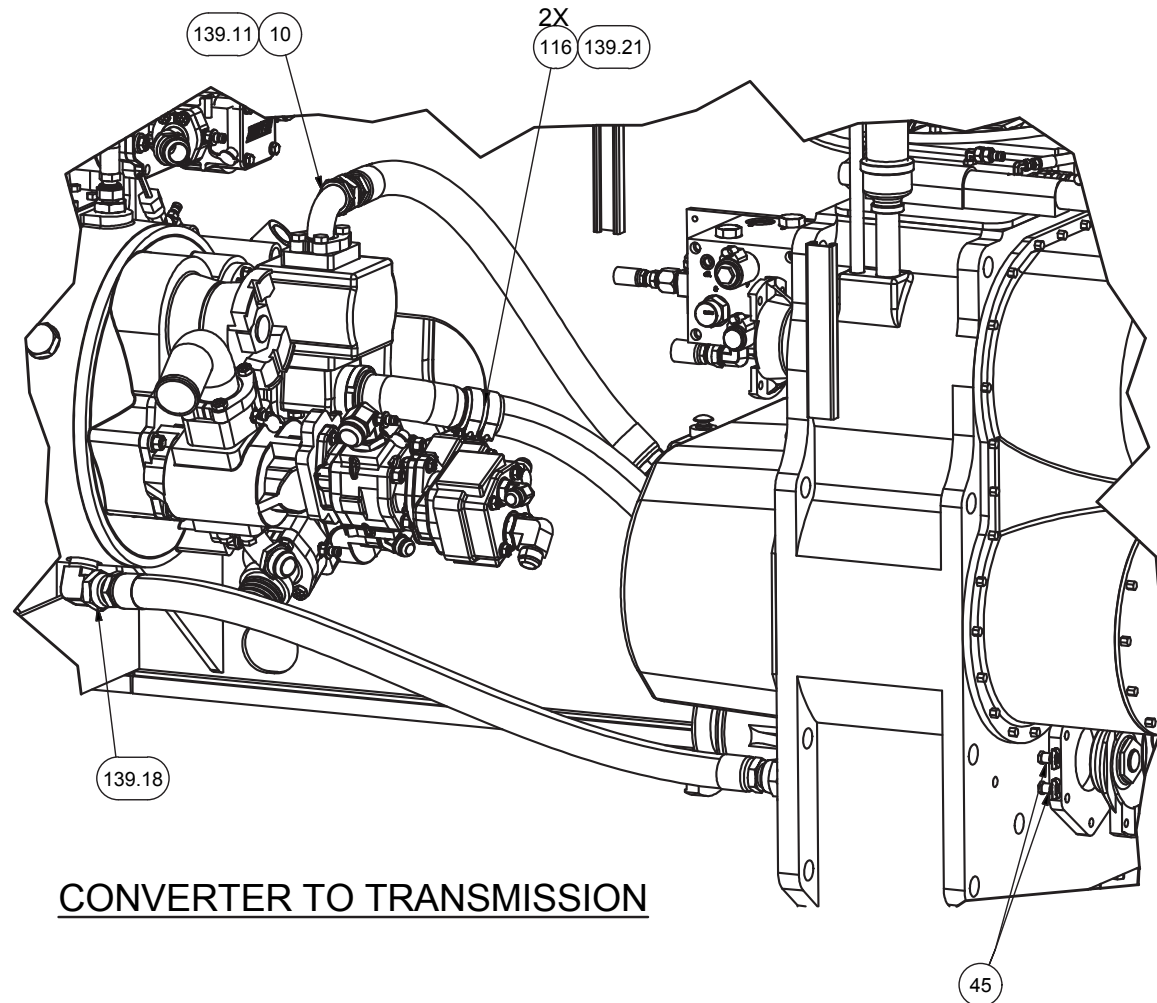
DETAIL 1C

NOTES:
TP - DESIGNATES TEST PORT, TP DESCRIPTIONS CORRELATE WITH OPERATORS SPECIFICATIONS.

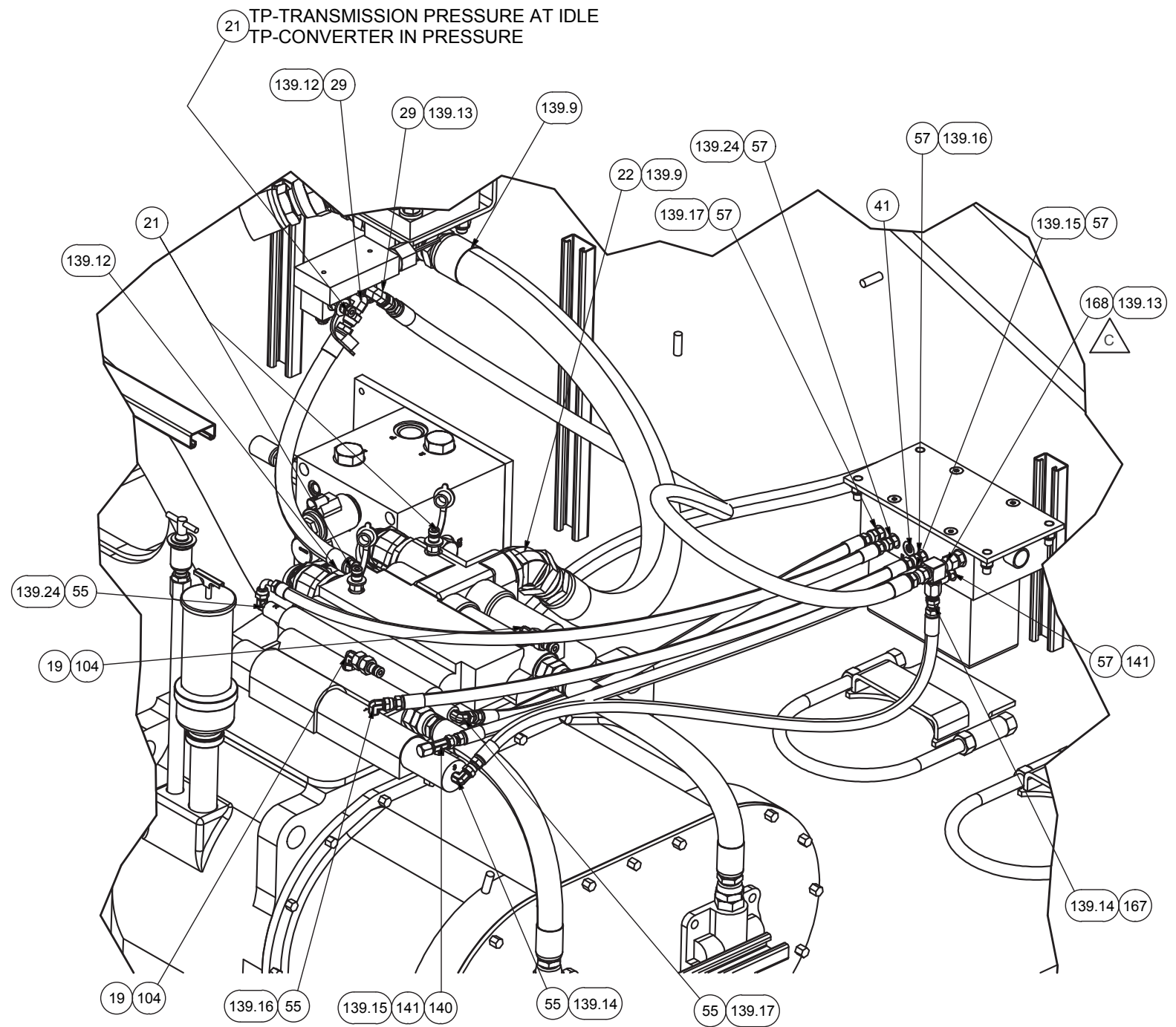


ON BYPASS REGULATOR
TP-CONVERTER OUT PRESSURE





CONVERTER TO TRANSMISSION



TRANSMISSION TO SHIFT VALVE