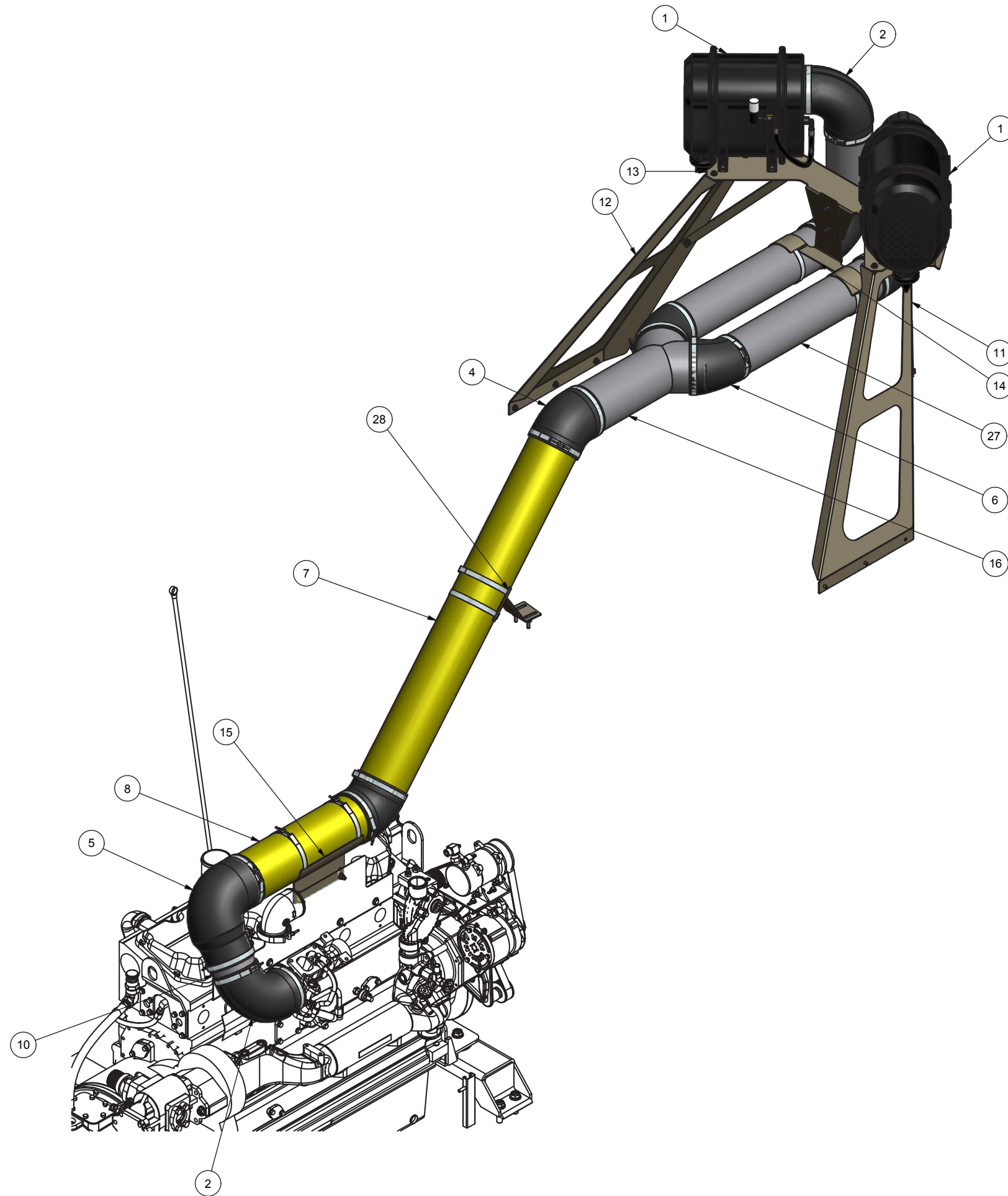
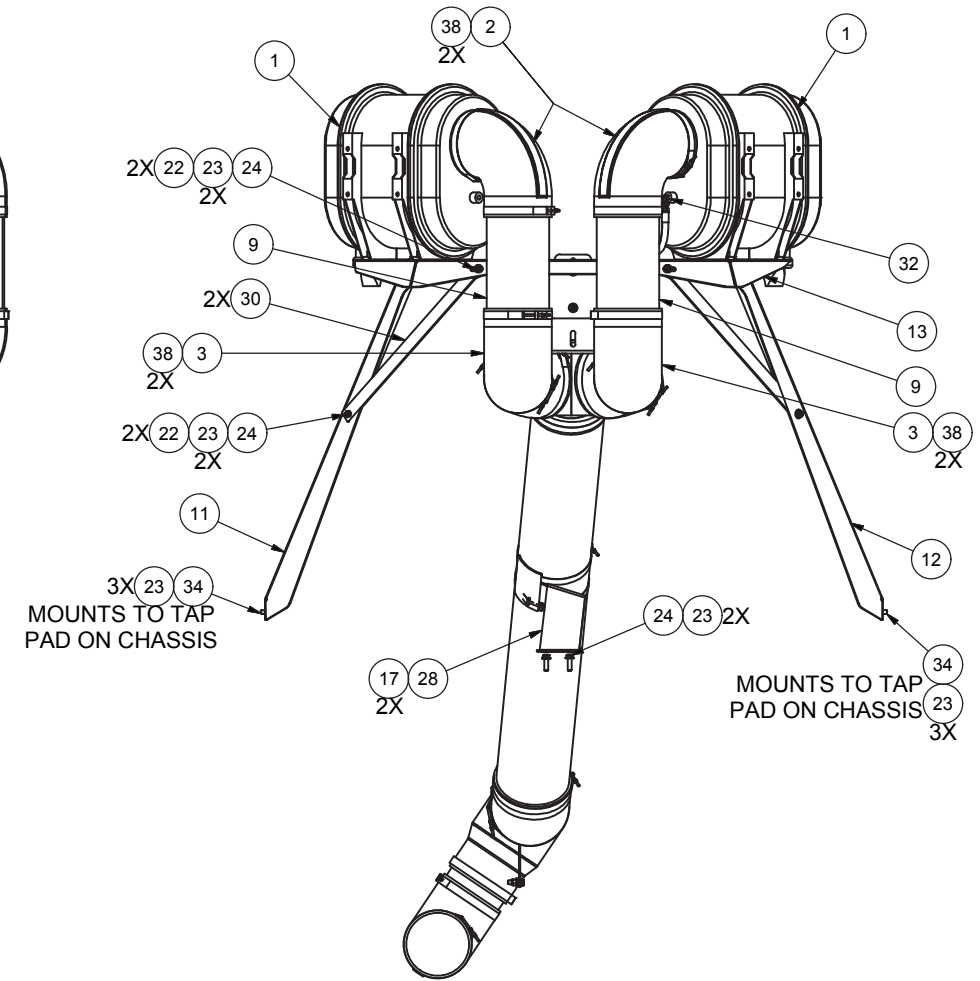
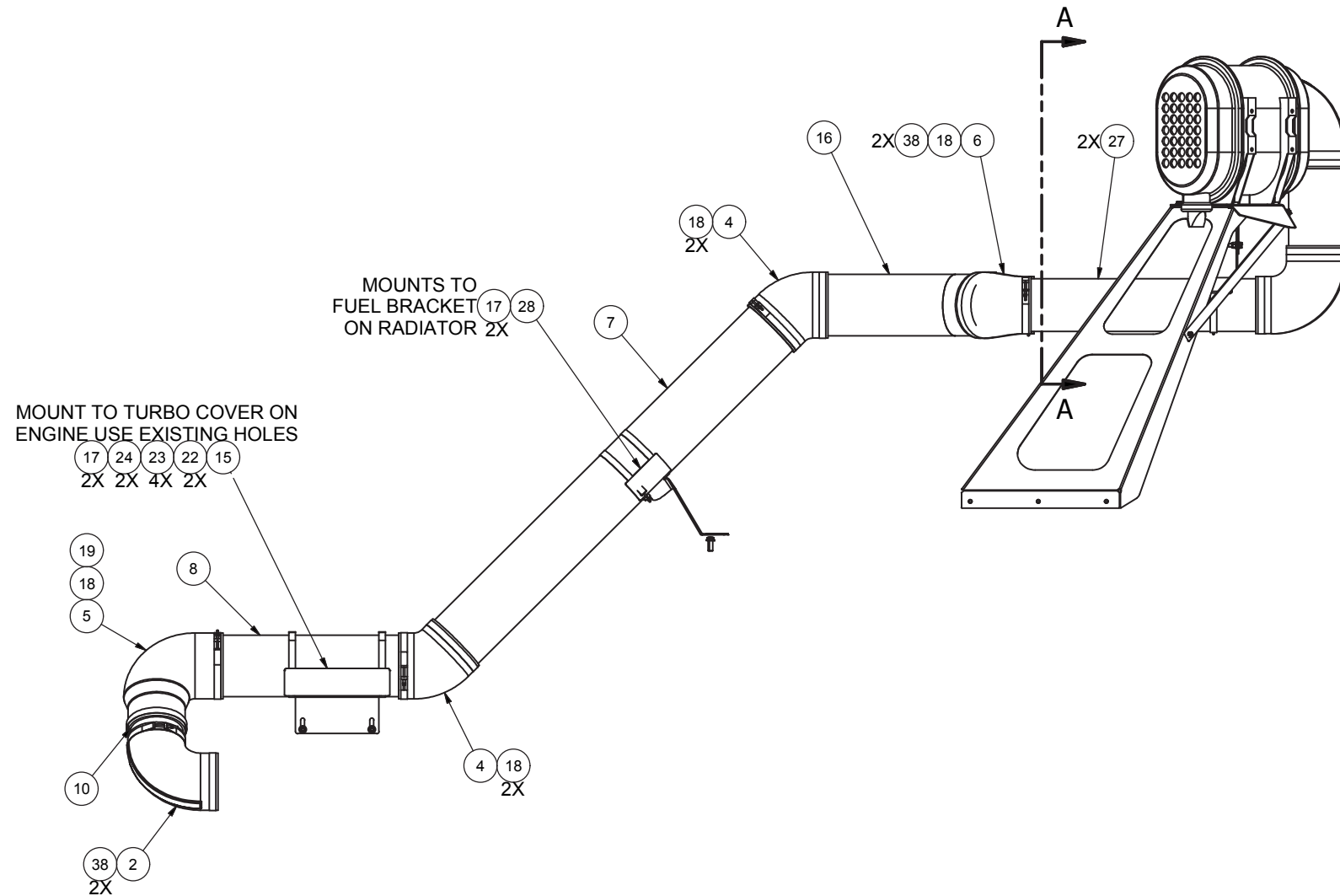
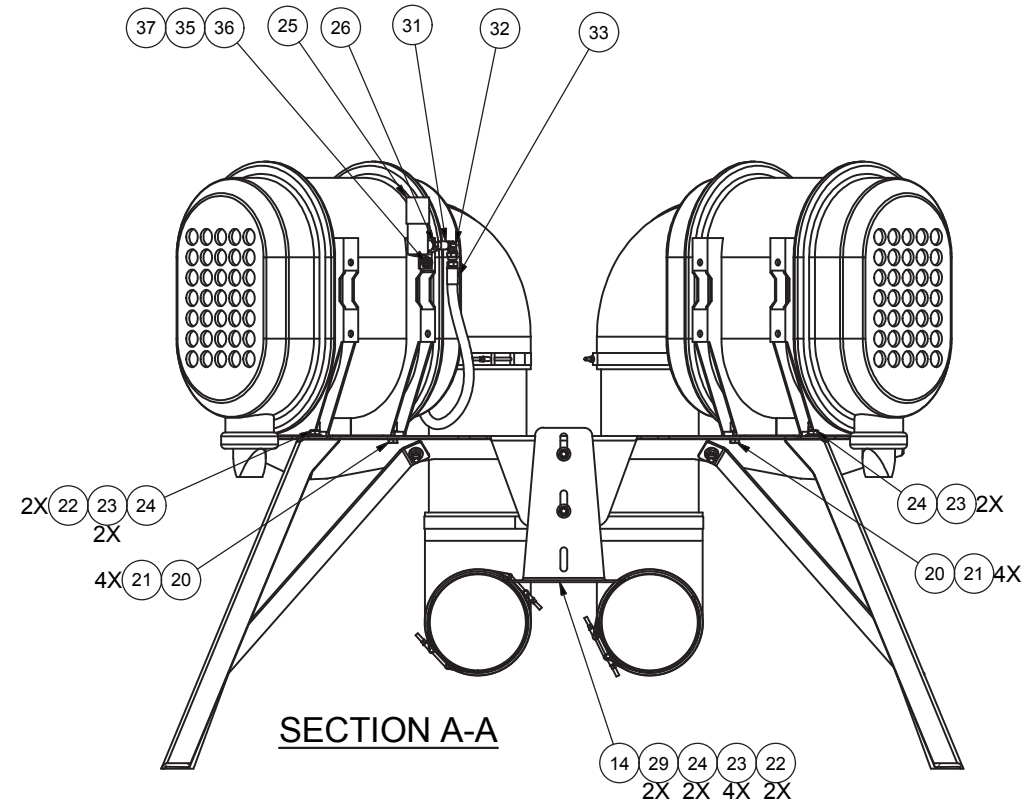

Fuel System

Fuel System

| Item | Part No. | Qty | Description | Item | Part No. | Qty | Description |
|------|-----------------|-----|----------------------------------|------|-----------------|-----|-----------------------|
| | 591310 | | Air Intake Installation | | | | |
| 1 | * 258700 | 2 | . Air Cleaner Assembly | 20 | Y09C-M0820 | 8 | . Capscrew |
| 2 | R1904878 | 3 | . Elbow | 21 | 296418W | 8 | . Hard Washer |
| 3 | 215733 | 2 | . Elbow | 22 | R13811191 | 12 | . Locknut |
| 4 | 224226 | 2 | . Elbow | 23 | 221767W | 32 | . Hard Washer |
| 5 | 224354 | 1 | . Elbow | 24 | 221499W | 14 | . Capscrew |
| 6 | 228425 | 2 | . Elbow | 25 | 208136 | 1 | . Indicator |
| 7 | YDHA 8212-54.00 | 1 | . Tube | 26 | 208137 | 1 | . Filter, Restriction |
| 8 | YDHA 8212-24.00 | 1 | . Tube | 27 | YDHA 8213-29.00 | 2 | . Tube |
| 9 | YDHA 8213-14.00 | 2 | . Tube | 28 | 592495 | 1 | . Bracket, Support |
| 10 | YDHA 8213-5.00 | 1 | . Tube | 29 | R13803357 | 2 | . T-Bolt Clamp |
| 11 | 586503 | 1 | . Plate, Support, LH Air Cleaner | 30 | 586836 | 2 | . Bar, Brace |
| 12 | 586504 | 1 | . Plate, Support, RH Air Cleaner | 31 | 508790 | 1 | . Bracket Assembly |
| 13 | 586506 | 1 | . Plate, Mounting | 32 | 209405 | 2 | . Fitting |
| 14 | 586507 | 1 | . Bracket | 33 | 240714 | 1 | . Hose Assembly |
| 15 | 586508 | 1 | . Bracket, Hanger | 34 | R13811032 | 6 | . Capscrew |
| 16 | 586510 | 1 | . Tube, Air Intake | 35 | R13802914 | 1 | . Hard Washer |
| 17 | 258792 | 4 | . T-Bolt Clamp | 36 | R13811014 | 1 | . Capscrew |
| 18 | 224199 | 7 | . T-Bolt Clamp | 37 | NCC0003125 | 1 | . Cage Nut |
| 19 | 259035 | 1 | . T-Bolt Clamp | 38 | 207245 | 12 | . T-Bolt Clamp |

* See Separate Coverage





C