
Transmission

Transmission

Item	Part No.	Qty	Description	Item	Part No.	Qty	Description
	591263		Transmission				
1	200603	11	. Washer, Lock	68	201610	4	. Capscrew
2	223089	1	. Capscrew	69	201567	4	. Washer, Lock
3	00179870	2	. Capscrew	70	*a 214778	1	. Gasket
4	200603	2	. Washer, Lock	71	212297	1	. Gasket
5	*a 212234	1	. Gasket	72	R525293	2	. Magnet
6	*a 15862W	7	. O-Ring	73	*a 212299	1	. Gasket
7	212252	1	. Flange-Input	74	223219	22	. Capscrew
8	212309	1	. Flange	76	200622	2	. Plug
10	591490	1	. Clutch Assy, Fwd - See Pg 10	77	214769	1	. Fitting
11	*a 234564	1	. Ring, Snap	78	214768	AR	. Fitting
12	*a 221130	1	. Spring	79	217527	1	. Dipstick Housing Assy
13	*a 221129	2	. Ring	80	214767	1	. Tube, Dipstick
14	237295	8	. Capscrew	81	214766	1	. Ring, Snap
15	242545	1	. Clutch Support Assy		218457	2	. Dowel Pin - Not Illustrated
16	591490	1	. Clutch Assy, Rev- See Pg 10		212486	2	. Dowel Pin - Not Illustrated
17	*a 234564	1	. Ring, Snap	*a R238535		1	. Air-Breather
18	*a 221130	2	. Spring		209916	2	. Pipe Plug - Not Illustrated
19	*a 221129	2	. Ring		209505	1	. Bushing - Not Illustrated
20	237295	8	. Capscrew		209512	2	. Pipe Plug - Not Illustrated
21	242545	1	. Clutch Support		223561	2	. Pipe Plug - Not Illustrated
22	247038	1	. 3rd Clutch - See Pg 7	82	200694	1	. Nut
23	*a 234564	1	. Ring, Snap	83	*a 200696	1	. Nut, Lock
24	*a 221130	2	. Spring	84	200694	1	. Nut
25	*a 221129	2	. Ring	85	*a 247036	1	. Bearing, Roller
26	237295	8	. Capscrew	86	214779	1	. Ball
27	222866	1	. Clutch Support	87	212232	1	. Spacer
28	591492	1	. 1st Clutch - See Pg 9	88	212245	1	. Gear Spacer (Input Shaft)
29	*a 12940W	1	. Ring, Snap	89	212246	1	. Shaft, Reverse
30	*a 219676	2	. Ring	90	*a 212247	1	. Bearing
31	238092	9	. Capscrew	91	*a 212248	1	. Gasket
32	219678	1	. Clutch Support	92	212249	1	. Input Bearing Cap
33	248021	1	. 4Th Clutch See Pg 8	93	200604	5	. Washer, Lock
34	*a 234564	1	. Ring, Snap	94	201618	5	. Capscrew
35	*a 221130	2	. Spring	95	*a 212250	1	. Seal
36	*a 221129	2	. Ring	98	*a 212253	1	. O-Ring
37	237295	8	. Capscrew	99	212254	1	. Washer
38	222866	1	. Clutch Support	100	218486	1	. Nut, Idler Shaft
39	591492	1	. 2nd Clutch - See Pg 9	102	591497	1	. Input Gear 47T
40	*a 12940W	1	. Ring, Snap	103	241136	2	. Shaft-1st/3rd And 2nd/4th
41	*a 219676	1	. Ring	104	214775	2	. Bearing Cup Pin
41A	*a 219677	2	. Ring	105	*a 212278	2	. Bearing
42	238092	9	. Capscrew	106	*a 212277	2	. Ring, Snap
43	219678	1	. Clutch Support	107	212276	1	. Spacer
44	209215	4	. Fitting - See Pg 13 Item 3	108	212276	1	. Spacer
45	242568	1	. Hose Assy - See Pg 13 Item 2	109	221135	1	. 1st and 3rd Gear
46	242567	1	. Hose Assy - See Pg 13 Item 1	110	212288	1	. Output Gear 56T
47	245079	1	. 1St & 2Nd Clutch Cover Box	111	212273	2	. Gear Spacer
48	*a 229995	1	. Gasket	112	*a 212272	2	. Bearing
49	223217	23	. Capscrew	113	214779	2	. Ball
50	223218	23	. Washer, Belleville	114	200694	4	. Nut, Bearing Adjusting
53	*a 212313	1	. Gasket	115	*a 200696	2	. Nut, Lock
54	200694	1	. Clutch Cover	116	212287	1	. 2nd And 4th Shaft Spacer
55	R13811804	33	. Capscrew	117	247063	1	. Shaft, Reverse
56	591495	33	. Washer, Lock	118	212245	1	. Gear Spacer (Input Shaft)
57	00114672	24	. Capscrew	119	*a 212247	1	. Bearing
58	201567	24	. Washer, Lock	121	247037	1	. Ring, Snap
59	591496	20	. Capscrew	124	*a 212248	1	. Gasket
60	201567	20	. Washer, Lock	125	212256	1	. Rev Bearing Cap
63	242549	1	. Clutch Cover Plate	126	200604	5	. Washer, Lock
63A	242550	1	. Clutch Cover Plate Spacer	127	201618	5	. Capscrew
64	*a 242551	2	. Gasket	128	591497	1	. Input Gear 47T
65	242548	1	. 3rd & 4th Clutch Cover Plate	129	212232	1	. Input & Reverse Shaft Spacer
65A	248018	1	. Assembly-Cover 4th Clutch	130	*a 247036	1	. Bearing, Roller
66	*a 242547	1	. Gasket	131	214779	2	. Ball
66A	*a 248017	1	. Gasket	132	200694	1	. Nut, Bearing Adjusting
67	212302	1	. Assy-Oil Sump Frame & Screen	133	*a 200696	1	. Nut, Lock

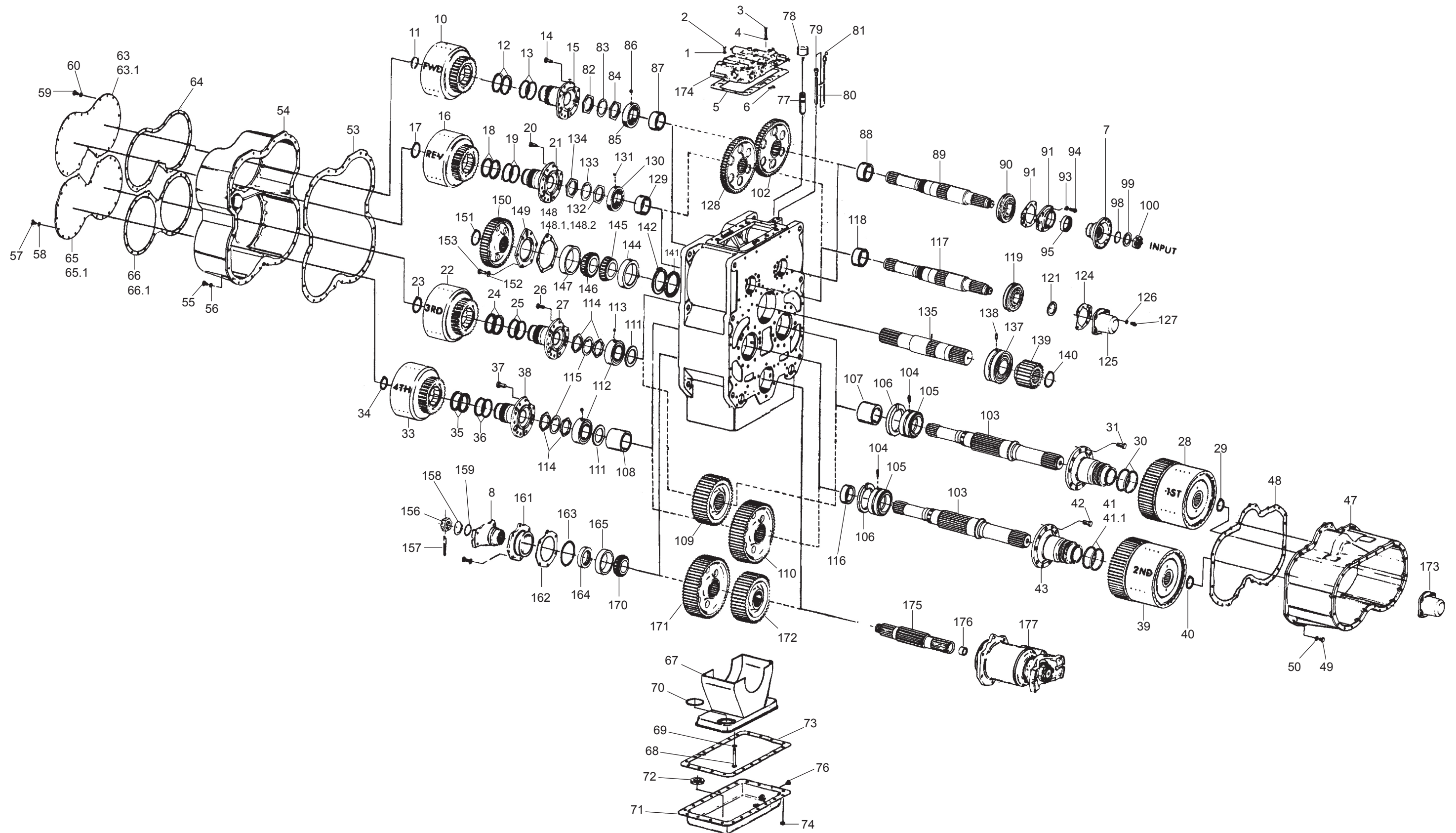
Transmission

Item	Part No.	Qty	Description	Item	Part No.	Qty	Description
134	200694	1	. Nut-Bearing Adjusting				
135	246800	1	. Shaft-Idler				
137	*a 247041	1	. Bearing				
138	214771	1	. Bearing Cup Pin Idler Shaft				
139	247040	1	. Idler Shaft Gear 26T				
140	*a 247039	1	. Ring, Snap				
141	247043	1	. Idler Shaft Oil Shield				
142	*a 247044	1	. Ring, Snap				
144	*a 247045	1	. Bearing, Cup				
145	*a 247046	1	. Bearing, Cone				
146	*a 247046	1	. Bearing, Cone				
147	*a 247045	1	. Bearing, Cup				
148	*a 247047	AR	. Shim-Bearing Cap				
148A	*a 247048	AR	. Shim				
148B	*a 247049	AR	. Shim				
149	247050	1	. Idler Shaft Bearing Cap				
150	247051	1	. Gear-47T				
151	*a 247052	1	. Ring, Snap				
152	200604	6	. Washer, Lock				
153	201618	6	. Capscrew				
154	247062	2	. Clutch Drum Gear, See Pg 10				
155	*a 212379	2	. Ring, Snap, See Pg 10				
156	212312	1	. Nut				
157	200616	1	. Cotter Pin				
158	212311	1	. Input Flange Nut Washer				
159	*a 212310	1	. O-Ring				
161	212308	1	. Cap-Output Shaft Bearing				
162	200572	6	. Capscrew				
163	200604	6	. Washer, Lock				
164	*a 212305	AR	. Shim				
165	*a 212306	AR	. Shim-.007				
166	*a 212307	AR	. Shim-.010				
167	*a 203540	1	. O-Ring				
168	*a 212303	1	. Seal				
169	*a 206540	1	. Bearing, Cup				
170	*a 212289	1	. Bearing, Cone				
171	221134	1	. Output Gear (54Teeth)				
172	212294	1	. Output Gear 40T				
173	248041	1	. Speed Sensor - See Pg 11				
174	244863	1	. Control Valve Assembly See Pg 14				
175	-----	1	. Output Shaft - See Pg 12				
176	-----	1	. Bushing - See Pg 12				
177	-----	1	. Disconnect Assembly - See Pg 12				

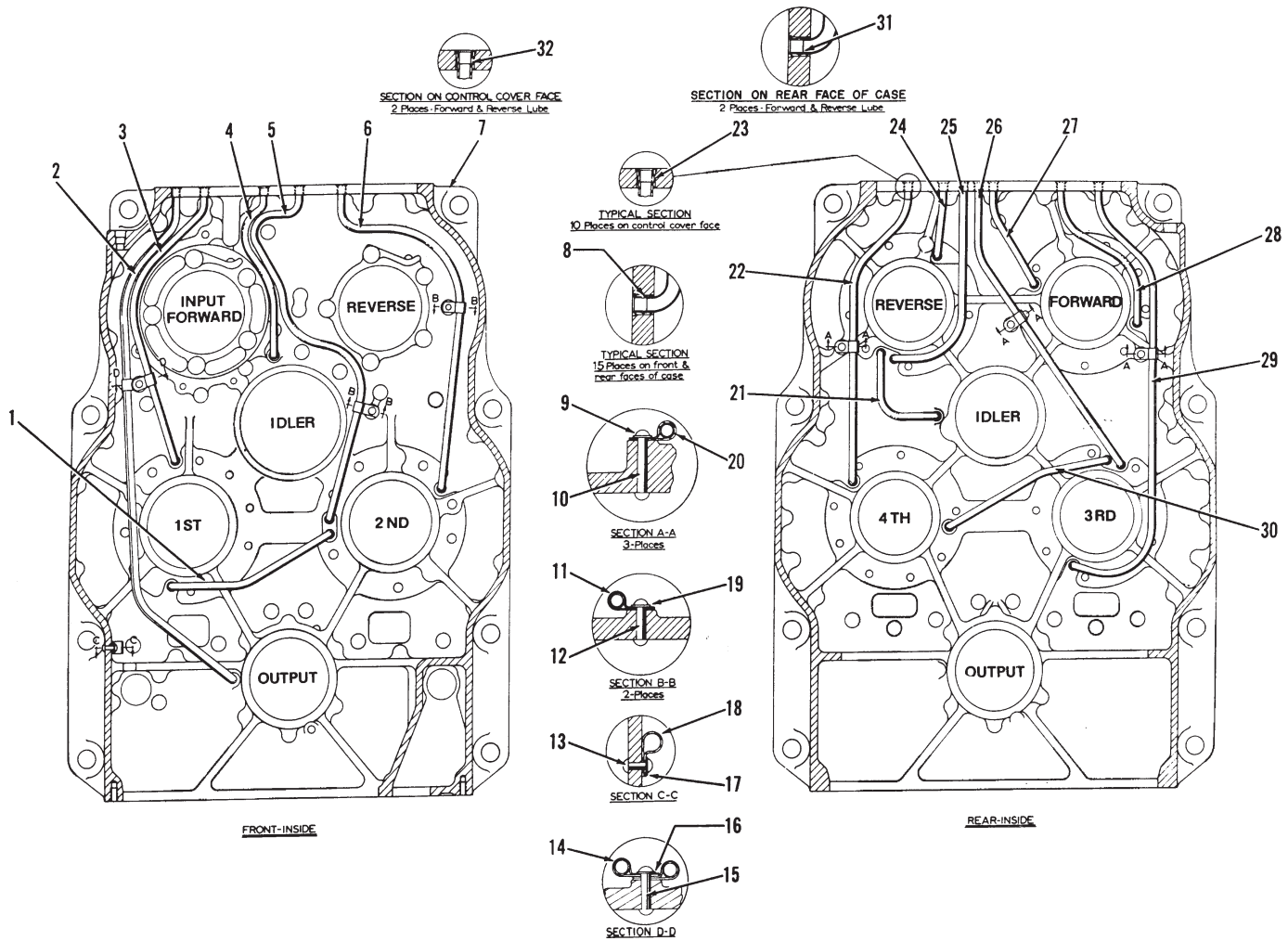
AR As Required

*a Included in 583010 Transmission Service Kit

PAGE INTENTIONALLY BLANK



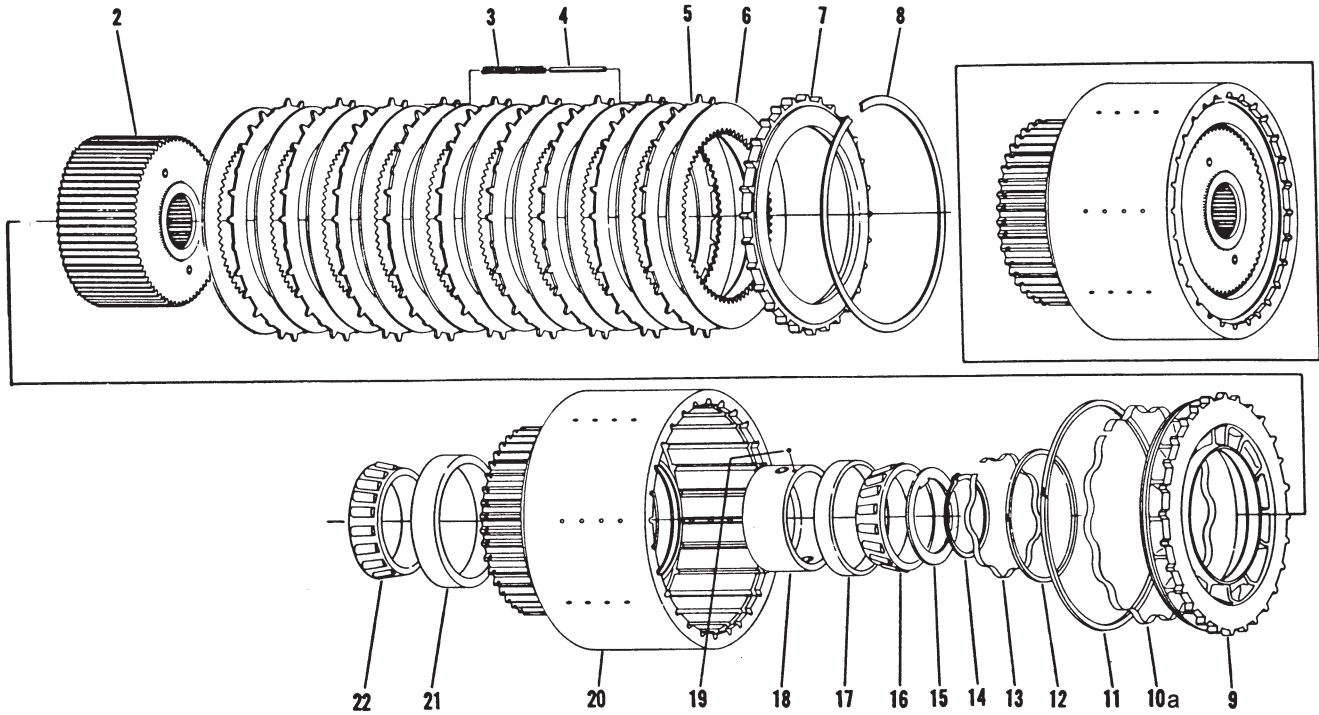
Transmission Case Assembly



Item	Part No.	Qty	Description	Item	Part No.	Qty	Description
591500 Transmission Case Assembly							
1	212315	1	. Tube	18	212327	1	. Tube Clip
2	240891	1	. Tube	19	R13802621	2	. Washer
3	212316	1	. Tube	20	212323	3	. Tube Clip
4	229996	1	. Tube	21	229998	1	. Tube
5	229997	1	. Tube	22	212329	1	. Tube
6	212318	1	. Tube	23	212320	10	. Tube Sleeve
7	NSS	1	. Trans Case	24	212330	1	. Tube
8	212320	15	. Tube Sleeve	25	223222	1	. Tube
9	R13802621	3	. Washer	26	212332	1	. Tube
10	591501	3	. Rivet	27	223223	1	. Tube
11	212323	2	. Tube Clip	28	212334	1	. Tube
12	591502	3	. Rivet	29	212335	1	. Tube
13	591503	1	. Rivet	30	212336	1	. Tube
14	212323	2	. Tube Clip	31	219757	2	. Tube Sleeve
15	591502	1	. Rivet	32	219757	2	. Tube Sleeve
16	R13802621	2	. Washer				
17	R13802619	1	. Washer				

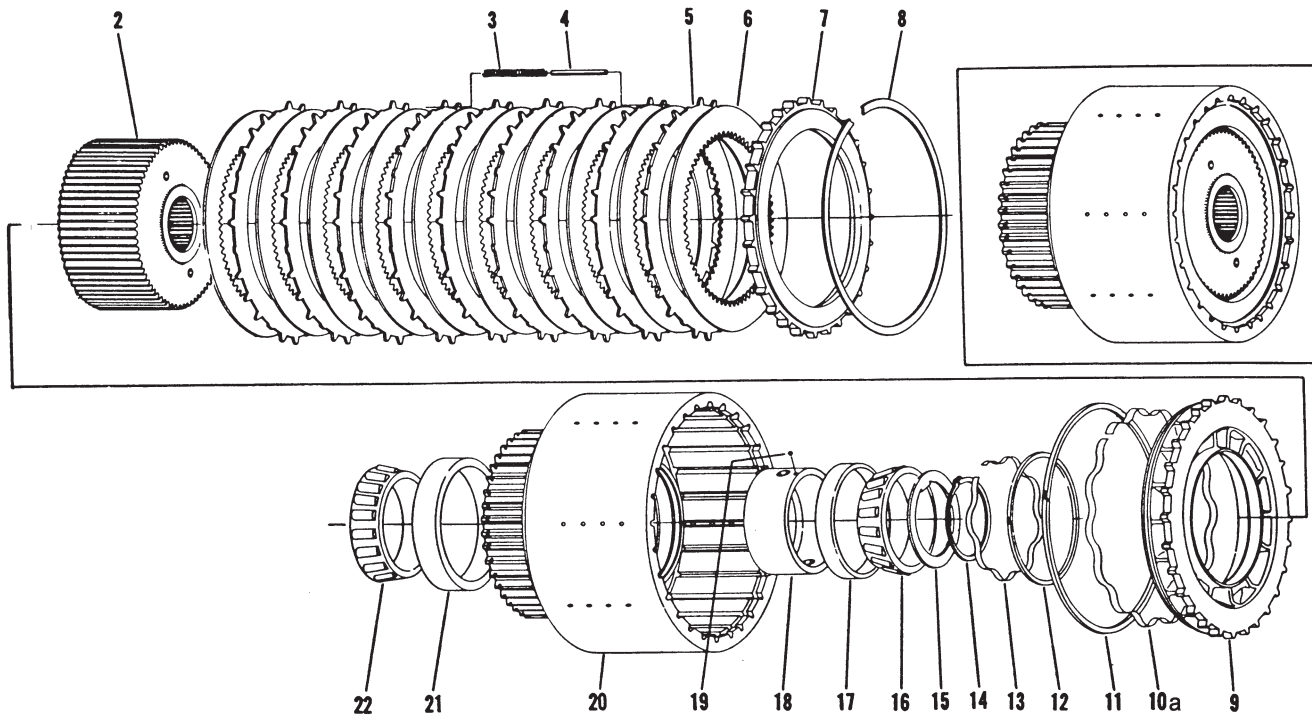
NSS Not Sold Separately

3rd Clutch Group



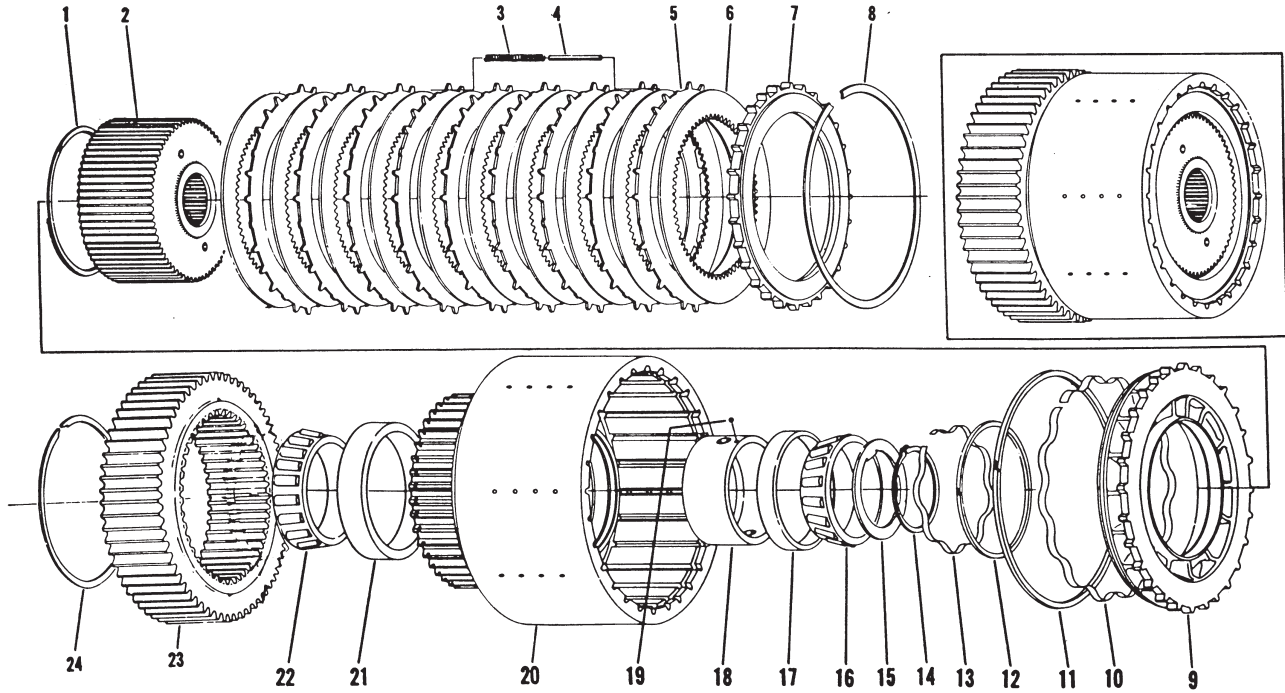
Item	Part No.	Qty	Description	Item	Part No.	Qty	Description
247038 3rd Clutch							
2	212338	1	. Disc Hub Assembly	14a	232250	AR	. Ring, Snap
3	212339	8	. Spring, Disc	15	*a 232251	AR	. Washer, Keyed
4	212340	8	. Pin	15a	*a 232252	AR	. Washer, Keyed
5	212341	9	. Disc	15b	*a 232253	AR	. Washer, Keyed
6	591498	10	. Disc, Inner	16	*a 240238	1	. Bearing, Roller
7	212343	1	. Plate, End	17	NSS	1	. Bearing Cup
8	*a 212348	1	. Ring, Snap	18	228759	1	. Race, Piston Ring
9	212349	1	. Piston	19	212358	1	. Ball, Steel
10	*a 247057	1	. Kit, Piston Ring	20	222889	1	. Clutch Drum
11	247058	1	. Ring, Piston	21	*a 222872	1	. Bearing, Cup
	*a 230770	1	. Kit, Piston Ring	22	*a 222871	1	. Bearing, Cone
12	R11787	1	. Ring, Piston				
13	NSS	1	. Spring				
14	*a 232249	AR	. Ring, Snap				
				AR	As Required		
				NSS	Not Sold Separately		
				*a	Included in 583010 Transmission Service Kit		

4th Clutch Group



Item	Part No.	Qty	Description	Item	Part No.	Qty	Description
248021 4th Clutch							
2	241138	1	. Disc Hub Assembly	15	*a 232251	AR	. Washer, Keyed
3	212339	8	. Spring, Disc	15a	*a 232252	AR	. Washer, Keyed
4	212340	8	. Pin	15b	*a 232253	AR	. Washer, Keyed
5	212341	9	. Disc	16	*a 240238	1	. Bearing, Roller
6	591498	10	. Disc, Inner	17	NSS	1	. Bearing Cup
7	212343	1	. Plate, End	18	219770	1	. Race, Piston Ring
8	*a 212348	1	. Ring, Snap	19	212358	1	. Ball, Steel
9	212349	1	. Piston	20	222889	1	. Clutch Drum
10	*a 247057	1	. Kit, Piston Ring	21	*a 222872	1	. Bearing, Cup
11	247058	1	. Ring, Piston	22	*a 222871	1	. Bearing, Cone
12	R11787	1	. Ring, Piston				
13	R11786	1	. Spring				
14	*a 232249	AR	. Ring, Snap	AR	As Required		
14a	232250	AR	. Ring, Snap	NSS	Not Sold Separately		
				*a	Included in 583010 Transmission Service Kit		

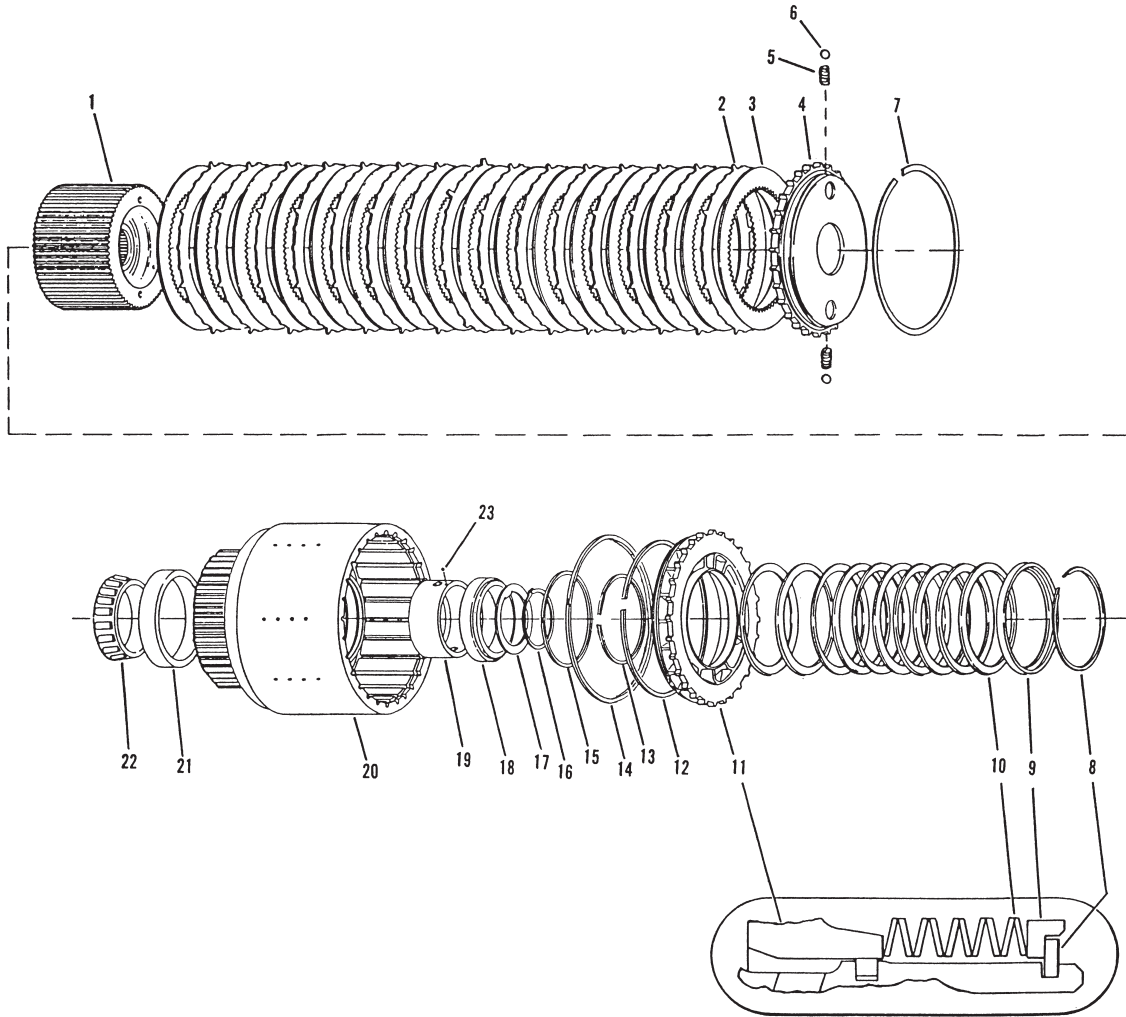
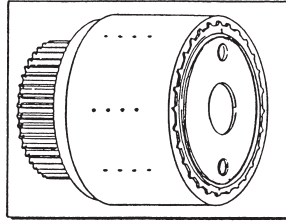
1st & 2nd Clutch Group



Item	Part No.	Qty	Description	Item	Part No.	Qty	Description
591492 1st & 2nd Clutch Group							
1	*a 212362	1	. Ring	14	*a 219768	AR	. Ring, Snap (.111/.117)
2	219766	1	. Hub Assy, Disc	14A	*a 247059	AR	. Ring, Snap (.102/.108)
3	212339	7	. Spring, Disc	15	223227	AR	. Washer, Keyed
4	212340	7	. Pin	15A	591493	AR	. Washer, Keyed
5	212364	9	. Disc, Outer	16	*a 219769	1	. Bearing, Cone
6	249663	10	. Disc, Inner	17	*a 202852	1	. Bearing, Cup
7	212366	1	. Plate	18	219770	1	. Race
8	*a 212367	1	. Ring, Snap	19	212358	1	. Ball, Steel
9	212368	1	. Piston	20	591494	1	. Brake Drum
10	*a 230001	1	. Spring, Expander	21	*a 219772	1	. Bearing, Cup
11	*a 230002	1	. Spring, Piston	22	*a 219773	1	. Bearing, Cone
12	*a 230000	1	. Ring, Piston	23	-----	1	Drum Gear, see Pg 2 Item 154
13	*a 229999	1	. Spring, Expander	24	*a -----	1	Ring, Snap; see Pg 2 Item 155
14	*a 219767	AR	. Ring, Snap (.119/.125)				

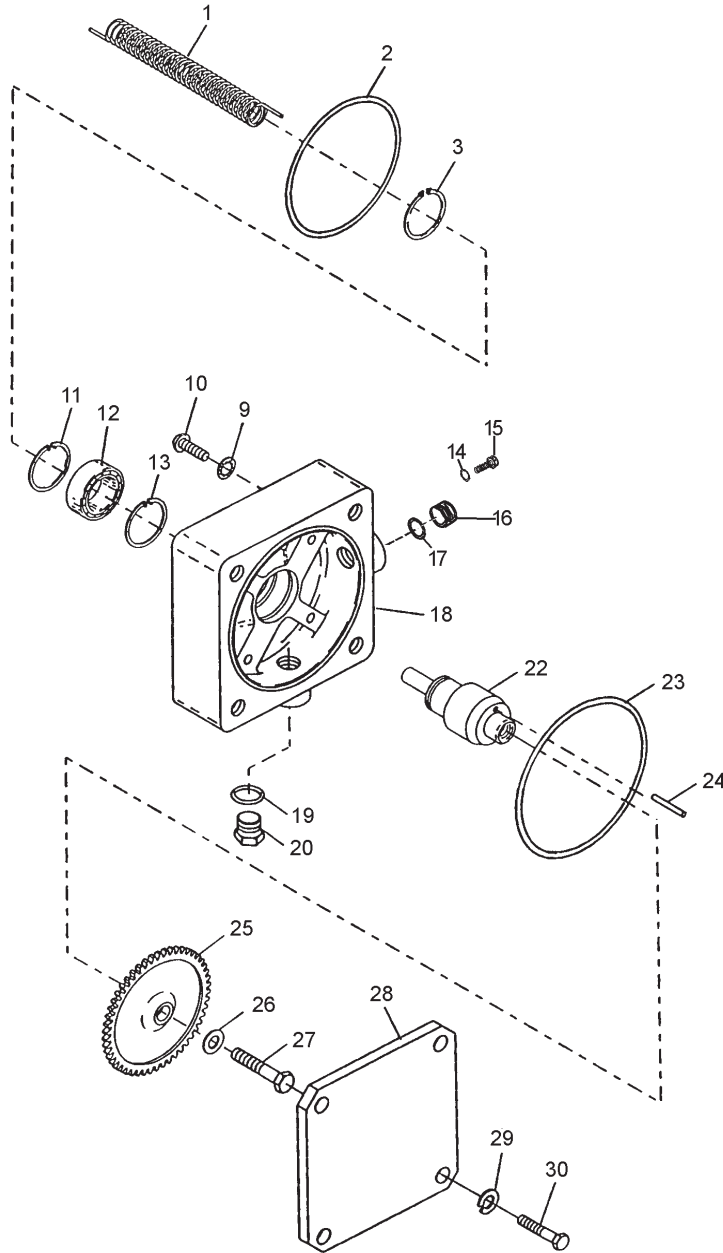
AR As Required
 *a Included in 583010 Transmission Service Kit

Forward & Reverse Clutch



Item	Part No.	Qty	Description	Item	Part No.	Qty	Description
591490 Forward & Reverse Clutch							
1	248023	1	. Disc Hub and Washer Assy	16	*b 232249	AR	. Ring, Snap
2	248024	15	. Outer Clutch Disc	16a	232250	AR	. Ring, Snap
3	591491	16	. Inner Clutch Disc	17	232251	AR	. Washer, Keyed
4	248026	1	. End Plate	17a	232252	AR	. Washer, Keyed
5	248027	2	. End Plate Spring	17b	232253	AR	. Washer, Keyed
6	214779	2	. Ball, Steel	18	*b 240238	1	. Bearing, Roller
7	*b 248028	1	. End Plate Retaining Ring	19	228759	1	. Race, Piston Ring
8	248029	1	. Spring Retainer	20	*a 248035	1	. Clutch Drum Assy
9	248030	1	. Ring, Snap Retainer	21	*b 222872	1	. Bearing, Cup
10	248031	1	. Disc Spring Assy	22	*b 222871	1	. Bearing, Cone
11	248032	1	. Clutch Piston	23	212358	1	. Ball, Steel
12	*b 248033	1	. Expander Ring				
13	*b R11786	1	. Spring				
14	*b 248034	1	. Piston Ring				
15	*b R11787	1	. Ring, Piston				
				AR	As Required		
				*a	Includes Items 19 and 23		
				*b	Included in 583010 Transmission Service Kit		

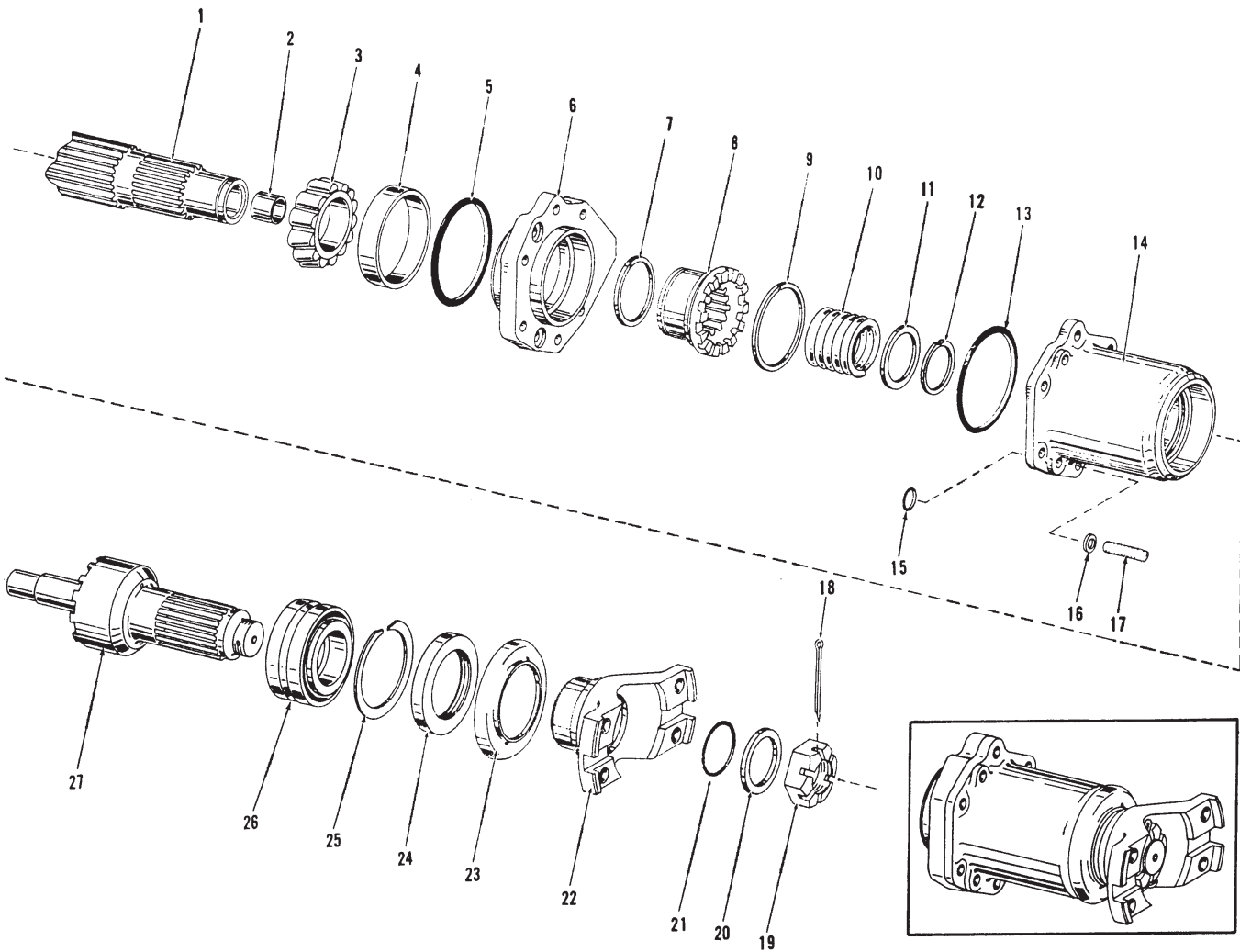
Speed Sensor Installation



Item	Part No.	Qty	Description	Item	Part No.	Qty	Description
248041 Speed Sensor							
1	248042	1	. Spring	19	*a 203431	1	. O-Ring
2	*a 203535	1	. O-Ring	20	245075	1	. Plug, Screw
3	*a 245072	1	. Ring, Snap	22	245076	1	. Shaft, Drive
9	217798	4	. Washer	23	*a 57597W	1	. O-Ring
10	245073	4	. Capscrew	24	245077	1	. Pin, Spring
11	*a 241548	1	. Ring, Snap	25	245078	1	. Gear
12	*a 241547	1	. Bearing	26	218433	1	. Washer, Plain
13	*a 241548	1	. Ring, Snap	27	R13807912	1	. Capscrew
14	248043	1	. Screw	28	212492	1	. Cover
15	R13802619	1	. Washer, Flat	29	200604	4	. Washer, Lock
16	228773	1	. Plug	30	00179879	4	. Screw
17	*a 16485W	1	. O-ring				
18	248044	1	. Housing				

*a Included in 583010 Transmission Service Kit

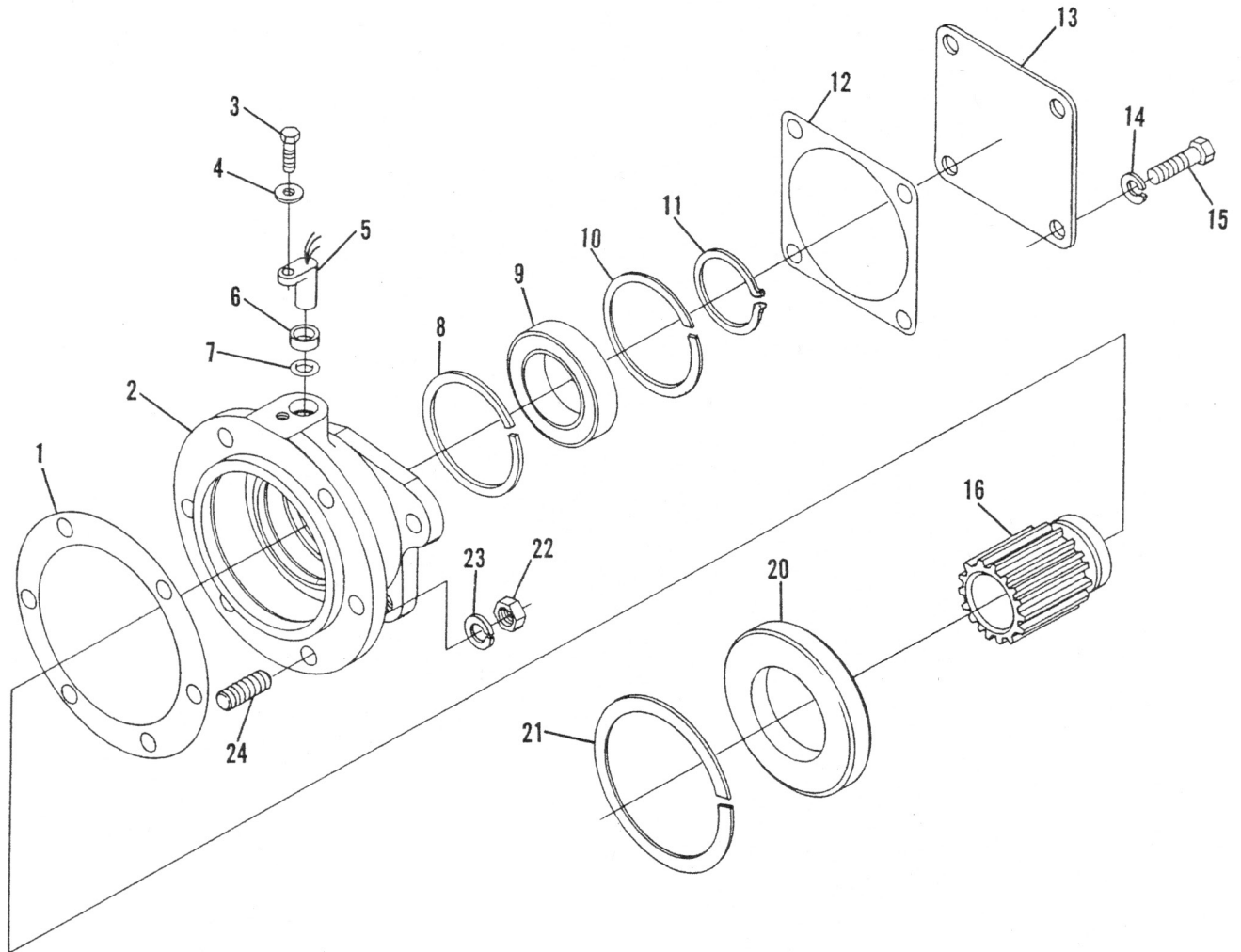
Disconnect Assembly



Item	Part No.	Qty	Description	Item	Part No.	Qty	Description
Disconnect Assembly							
1	240799	1	. Output Shaft	14	240803	1	. Disconnect Housing
2	*a 212290	1	. Bushing	15	*a 15862W	5	. O-Ring
3	*a 212289	1	. Bearing, Cone	16	200604	6	. Washer, Lock
4	*a 206540	1	. Bearing, Cup	16A	205124	6	. Nut - Not Illustrated
5	*a 203540	1	. O-Ring	17	240804	6	. Stud
6	252363	1	. Adapter	18	200616	1	. Cotter Pin
6A	R13801762	1	. Plug - Not Illustrated	19	212312	1	. Nut
7	*a 221129	1	. Ring	20	212311	1	. Washer
7A	*a 221130	1	. Spring	21	*a 212310	1	. O-Ring
8	248388	1	. Shift Hub	22	230011	1	. Flange & Deflector Assembly
9	*a 219676	1	. Ring	23	230010	1	. Deflector
9A	*a 219677	1	. Ring	24	*a 230009	1	. Oil Seal
10	240802	1	. Spring	25	*a 240156	1	. Ring, Snap
11	*a 240154	1	. Washer	26	*a 240157	1	. Bearing
12	*a 240155	1	. Ring, Snap	27	248387	1	. Shaft Assembly
13	*a 55289W	1	. O-Ring	28	591229	1	. Plug - Not Illustrated

*a Included in 574042 Service Kit

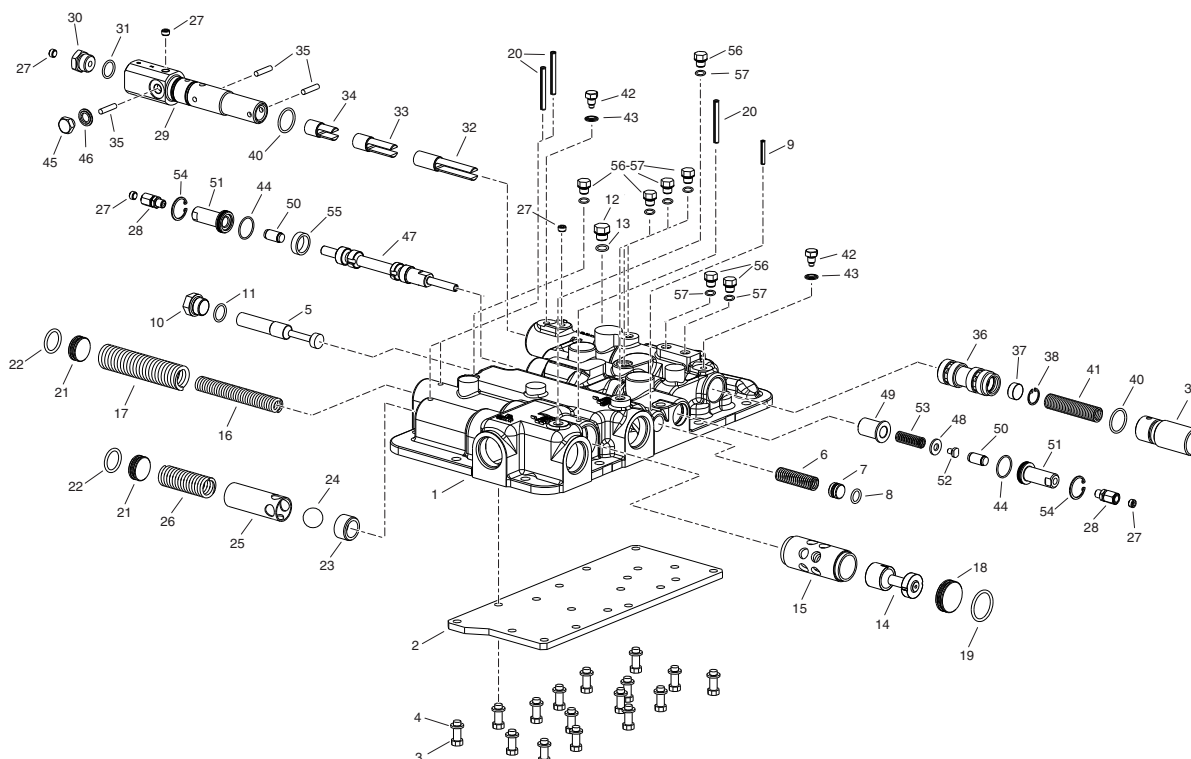
Emergency Steering Pump Mounting



Item	Part No.	Qty	Description	Item	Part No.	Qty	Description
258888 Emergency Steer Pump Mtg							
1	*a 240529	1	. Gasket	15	00179881	2	. Screw
2	248037	1	. Steer Pump Adaptor	16	241139	1	. Sleeve, Pump Drive
5	228773	1	. Plug	20	240527	1	. Dam, Oil
7	*a 16485W	1	. O-Ring	21	*a 248040	1	. Ring, Snap
8	*a R12967794	1	. Ring, Snap	22	R13803692	6	. Nut, Hex
9	*a R7019578	1	. Bearing	23	240533	6	. Washer, Lock
10	*a R12967794	1	. Ring, Snap	24	233078	6	. Stud
11	*a R11992915	1	. Ring, Snap	25	237575	1	. Coupler - Not Illustrated
12	*a 591497	1	. Gasket	26	215132	1	. Ring, Snap - Not Illustrated
13	248039	1	. Cover	27	*a R224039	1	. Ring, Snap - Not Illustrated
14	200604	2	. Washer, Lock				

*a Included in 583010 Transmission Service Kit

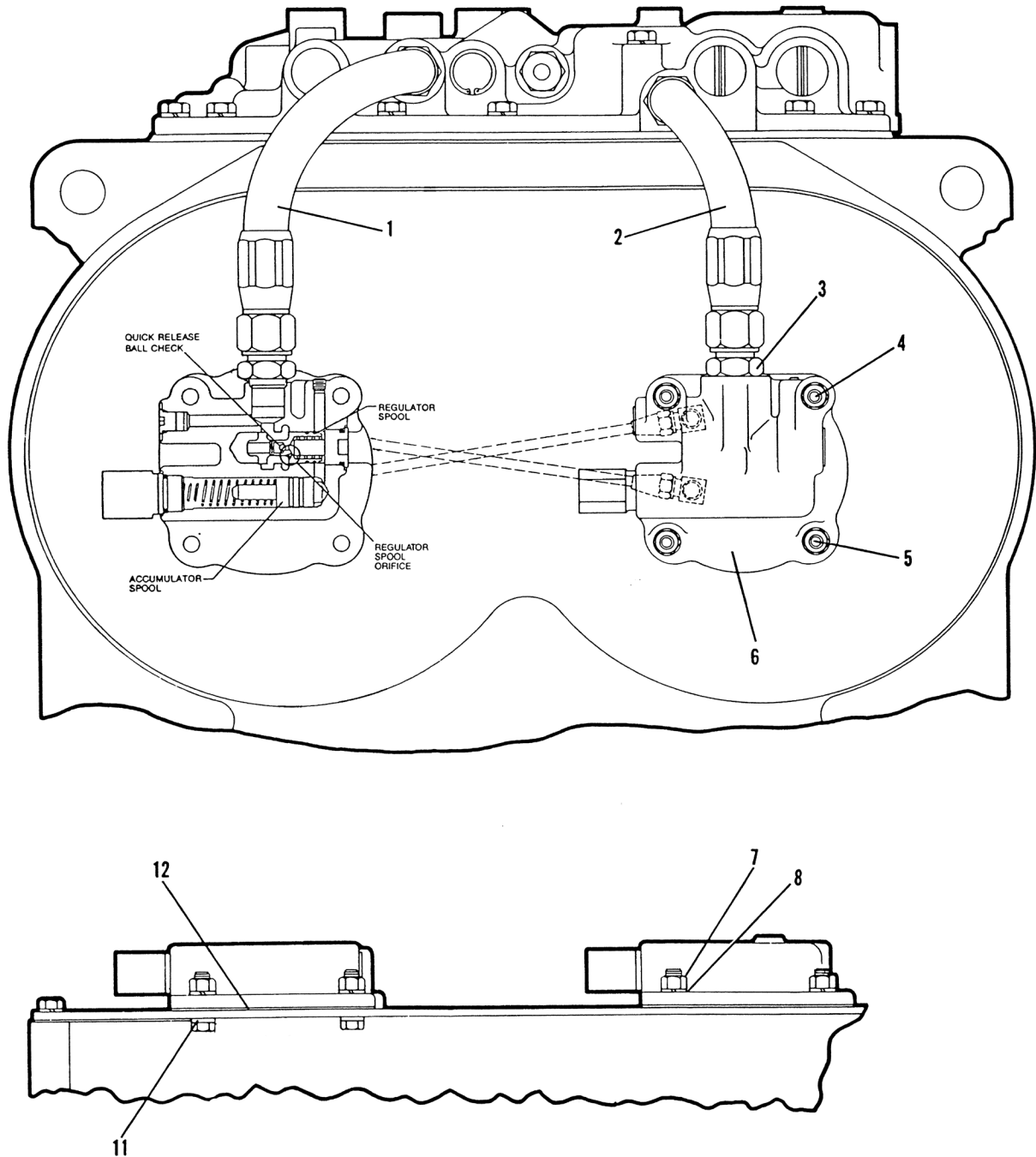
Control Valve Assembly



Item	Part No.	Qty	Description	Item	Part No.	Qty	Description
	244863		Control Valve Assembly				
1	244866	1	Cover-Control	30	219817	1	Plug
2	212419	1	Plate-Control Cover	31	*a 16485W	1	O-Ring
3	00114672	16	Capscrew	32	219825	1	1st Speed Valve
4	201567	16	Lockwasher	33	219824	1	2nd Speed Valve
5	240240	1	Shut Off Spool	34	219818	1	3rd Speed Valve
6	*a 212414	1	Spring Shut-Off Valve	35	219820	3	Pin
7	212411	1	Valve Stop	36	219828	1	Selector Valve
8	*a 203430	1	O-Ring	37	219829	1	Selector Valve Plug
9	212402	1	Roll Pin	38	*a 219830	1	Snap Rings
10	215250	1	Fitting-Plug	39	219832	1	End Plug Hsg.
11	209207	1	O-Ring	40	*a 17304	2	O-Ring
12	212762	1	Fitting-Plug	41	*a 219831	1	Selector Valve Spring
13	211564	1	O-Ring	42	219826	2	Plug
14	212413	1	Regulator Valve Spool	43	*a 219827	2	Washer-Seal
15	212410	1	Sleeve Regulator Valve	44	*a 232257	2	O-Ring
16	*a 212425	1	Spring-Inner	45	219822	1	Plug
17	*a 212382	1	Spring-Outer	46	*a 219821	1	Washer-Seal
18	212409	1	Plug	47	244864	1	Valve Spool Fwd And Rev Selector
19	*a 203444	1	O-Ring	48	232260	1	Spacer
20	212400	3	Roll Pin	49	232262	1	Sleeve-Outer
21	212381	2	Stop Regulator Valve	50	232258	2	Fwd. And Rev. Piston
22	*a 212380	2	O-Ring	51	232256	2	Forward And Reverse Piston Guide
23	212426	1	Seat-Check Valve	52	232259	1	Cap-Stop
24	212427	1	Ball	53	*a 232261	1	Spring
25	212429	1	Safety Valve Spacer	54	*a 212395	2	Snap Ring
26	*a 212428	1	Spring-Safety Valve	55	244865	1	Spacer
27	232076	5	Plug	56	209423	7	Fitting-Plug
28	219839	2	Fitting-Connector Male Pipe	57	209743	7	O-Ring
29	219819	1	Shift Cylinder Housing				

*a Included in 581904 Service Kit

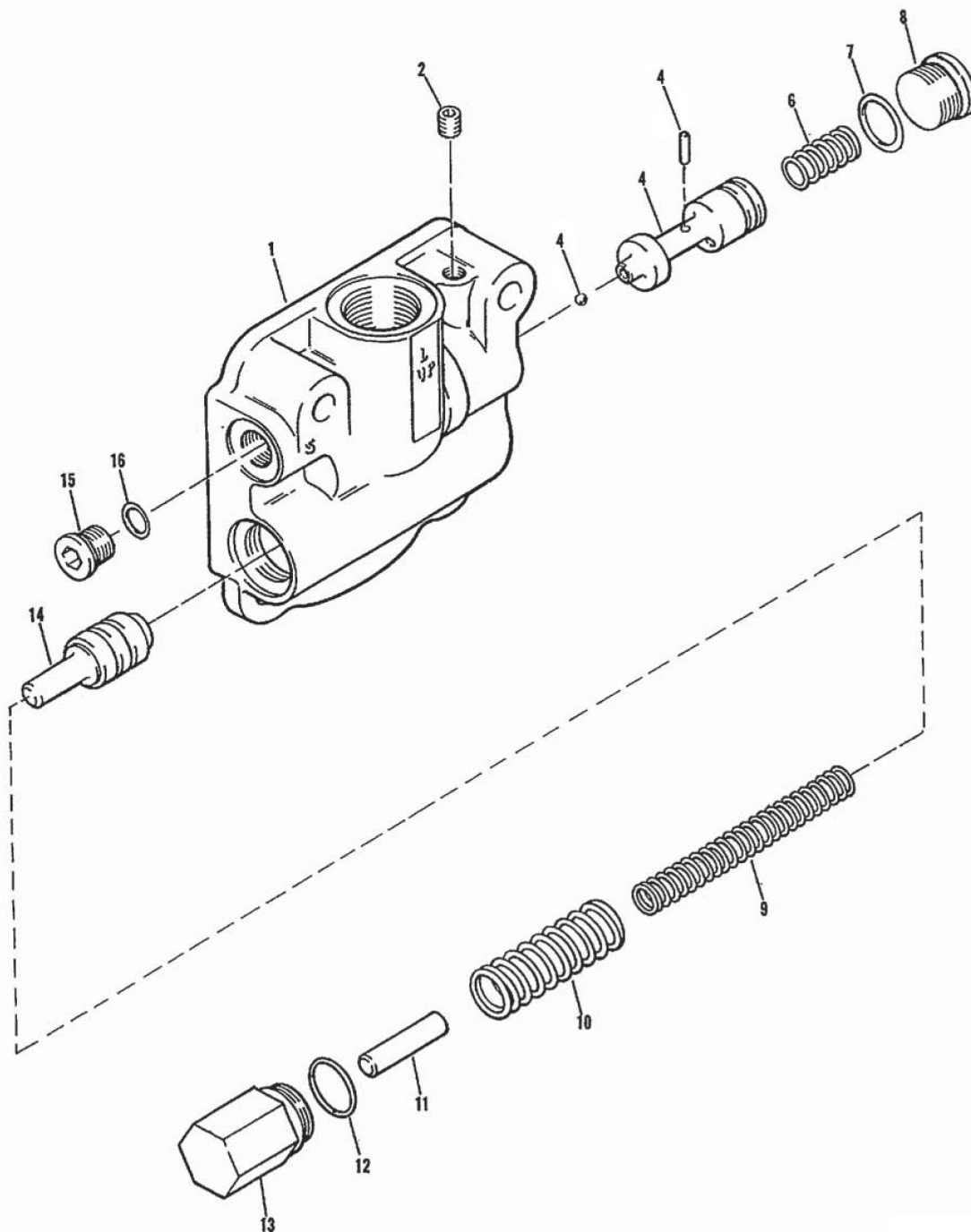
Modulator Valve Installation



Item	Part No.	Qty	Description	Item	Part No.	Qty	Description
Modulator Valve Installation				7	00102635	8	. Nut
1	-----	1	. Hose Assy - See Pg 2 Item 45	8	201567	8	. Washer, Lock
2	-----	1	. Hose Assy - See Pg 2 Item 46	11	R851374	8	. Washer
3	-----	4	. Fitting - See Pg 2 Item 44	12	*a 242572	2	. Gasket
4	201610	4	. Screw	13	227825	2	. Plug - Not Illustrated
5	00180124	4	. Screw				
6	242569	2	. Valve, Modulator				

*a Included in 583010 Transmission Service Kit

Modulator Valve Assembly



Item	Part No.	Qty	Description	Item	Part No.	Qty	Description
	242569		Modulator Valve Assembly	12	*a 209207	1	. O-Ring
2	228775	1	. Plug	13	242574	1	. Plug
4	NSS	1	. Spool, Regulator	14	NSS	1	. Spool, Accumulator
6	228774	1	. Spring, Regulator	15	229383	1	. Plug
7	*a 209207	1	. O-Ring	16	*a 211564	1	. O-Ring
8	228773	1	. Plug				
9	242522	1	. Spring, Inner				
10	242523	1	. Spring, Outer				
11	242573	1	. Pin				

*a Included in 583010 Transmission Service Kit
 NSS Not Sold Separately