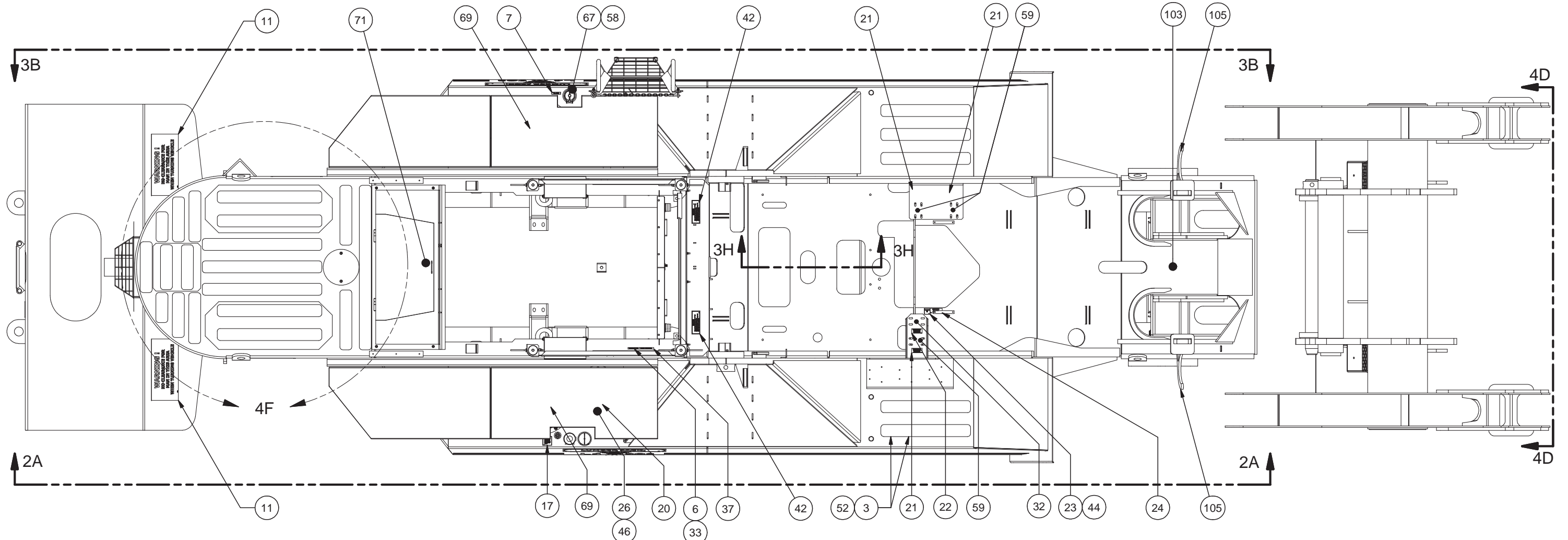


---

Decal Locations

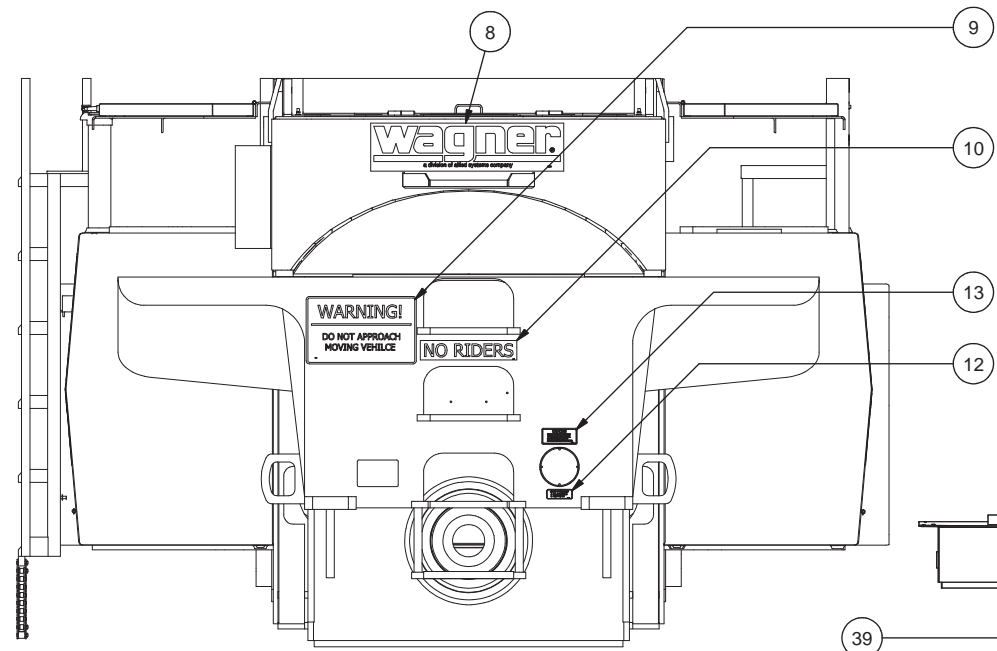
## Decal Locations

Item	Part No.	Qty	Description	Item	Part No.	Qty	Description
	<b>591245</b>		<b>Decal Locations</b>				
1	558504	2	. Decal, Logger For L120, L130	50	516699	1	. Plate,Cover
2	557352	1	. Decal, Pressurized Breather	51	541869	2	. Plate, Cover
3	219382	1 Roll	. Tape, Non-Skid	52	222737	2 Tube	. Sealer, Edge
4	576139	2	. Decal, Warning..	53	558533	1	. Wrench, Fire Extinguisher
5	529474	50'	. Decal, Racing Stripe, 6 Wide	54	206745	2	. Adapter
6	563640	1	. Decal, Oil Fill, All Units	55	228041	1	. Coupler
7	504195	1	. Nameplate,Diesel Fuel	56	231135	1	. Gauge
8	558506	2	. Decal, Wagner , 7.5X30	57	546456	1	. Wrench, Spindle Nut
9	547451	3	. Decal, Warning..	58	219373	50 Gal	. Oil, Diesel Fuel
10	547453	2	. Decal, No Riders	59	587386	3	. Element, Filter
11	545430	4	. Decal, Warning-No Clearance	61	242997	26 Gal	. Paint, W/R Yellow Finish
12	539197	3	. Decal, Fire Extinguisher	62	243000	2 Gal	. Paint, W/R White Alkyd Enamel
13	539226	2	. Decal, Fire Extinguisher	63	219374	35 lb	. Oil, Grease
14	587028	1	. Nameplate, Load Capacity	64	566936	2	. Decal, S, 3.5
15	558098	1	. Plate, Wagner Manuf & Serial #'s	65	561587	32	. Shipping Plate
16	243274	1	. Valve, Hi-Press	66	564451	8	. Shipping Plate
17	560276	1	. Decal, Tank Pressure	67	556042	1	. Wrench, S/Nut
18	504197	1	. Nameplate, Hydraulic Oil	69	572863	2	. Decal, Confined Space Entry
19	561918	1	. Decal, Strainer	70	576856	2	. Decal, Warning...Welding..
20	557353	1	. Decal, Filter Pressure	71	221340	12 Gal	. Anti-Freeze
21	587606	3	. Decal, Element 587386	72	587058	1	. Label, Implement Pump Inlet
22	587607	1	. Decal, Filter Element 587384	73	587059	1	. Label, Steering Pump Inlet
23	557118	1	. Decal, Trans Oil Fill	74	587060	1	. Label, Tilt Pump Inlet
24	528880	2	. Decal, Trans Oil Level/Idle	75	587061	1	. Label, Radiator Fan Pump Inlet
25	579532	1	. Decal, Replace...Element	76	587062	1	. Label, Tilt Pump Pressure
26	243458	2	. Element, Filter	77	587065	1	. Label, Radiator Fan Pump Press.
27	523145	2	. Decal, Log, 9.25 X 35.375	78	587066	1	. Label, Implement Pump Pressure
28	247429	2	. Element	79	587067	1	. Label, Steering Pump Pressure
29	557494	1	. Decal, Battery Disconnect	80	587068	1	. Label, Brake Pump Pressure
30	505158	1	. Decal, Trans Instruction	81	587069	1	. Label, Orbitrol Supply Pressure
31	565935	2	. Decal, L (3.5 )	82	587070	1	. Label, Brake System Pressure
32	587384	1	. Element, Filter	83	587071	1	. Label, Pilot System Pressure
33	236077	9 Gal	. Oil, Engine	84	587072	1	. Label, Brake Cooling Inlet
34	565930	2	. Decal, 90 (3.5 )	85	587073	1	. Label, Brake Cooling Return
35	562250	1	. Decal, Filter Restriction	86	587090	1	. Label, Steering Filter
36	587608	1	. Decal, Transmission Operation	87	587091	1	. Label, Main Filter
37	563641	1	. Decal, Oil Check, All Units	88	587092	1	. Label, Brake/Pilot Filter
38	557341	1	. Decal, Warning: Read Ops Man	92	587096	1	. Label, Converter In Pressure
39	586693	1	. Nameplate, FOPS	93	587097	1	. Label, Converter Out Pressure
40	505159	1	. Decal, Wheel Nut	96	587100	1	. Label, Trans Lube Pressure
41	504204	1	. Decal, Caution, Do Not Reverse...	97	587101	1	. Label, Forward Clutch Pressure
42	560278	2	. Decal, Caution..Baffle Plate..	98	587102	1	. Label, Reverse Clutch Pressure
43	587109	1	. Nameplate, Emission Control	99	587103	1	. Label, Return Filter
44	238206	20 Gal	. Oil, Hydraulic	100	587104	1	. Label, Transmission Filter
45	* 582769	1	. Fire Extinguisher Installation	102	FD70000434	2	. Decal, Manuf In USA
46	238206	550 Gal	. Oil, Hydraulic	103	235720	180 lb	. Lubricant, Gear
47	542918	2170 lb	. Ballast Weight	104	244353	2 Gal	. Paint, W/R Flat Black
48	565936	2	. Decal, -4- (3.5 )	105	573434	2	. Bracket Weldment,Shipping
49	246090	30 Gal	. Paint, W/R Yellow Primer	106	589178	5635 lb	. Ballast

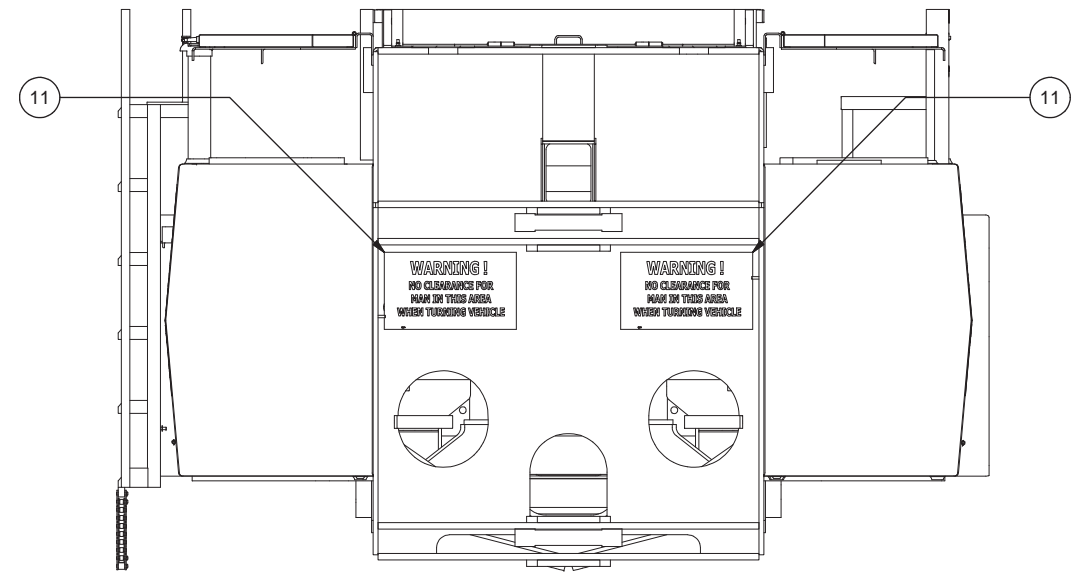


**NOTE:**

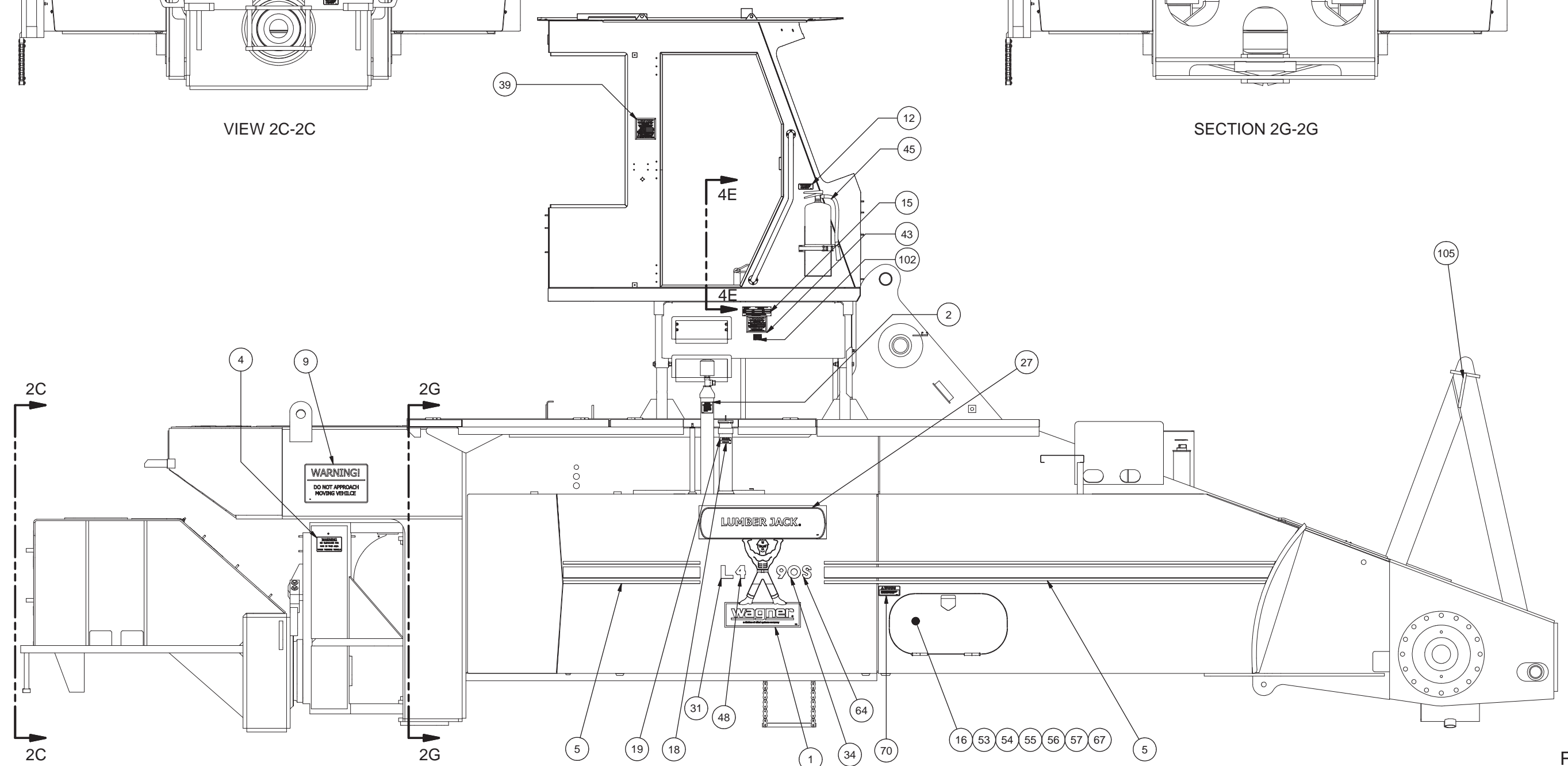
- ITEM 72-100 ARE TEST PORT AND FILTER DECALS. USE THE ANSI HYDRAULIC SCHEMATIC AND HYDRAULIC SYSTEM TRANSMISSION DOCUMENTATION FOR PORT AND FILTER LOCATIONS.



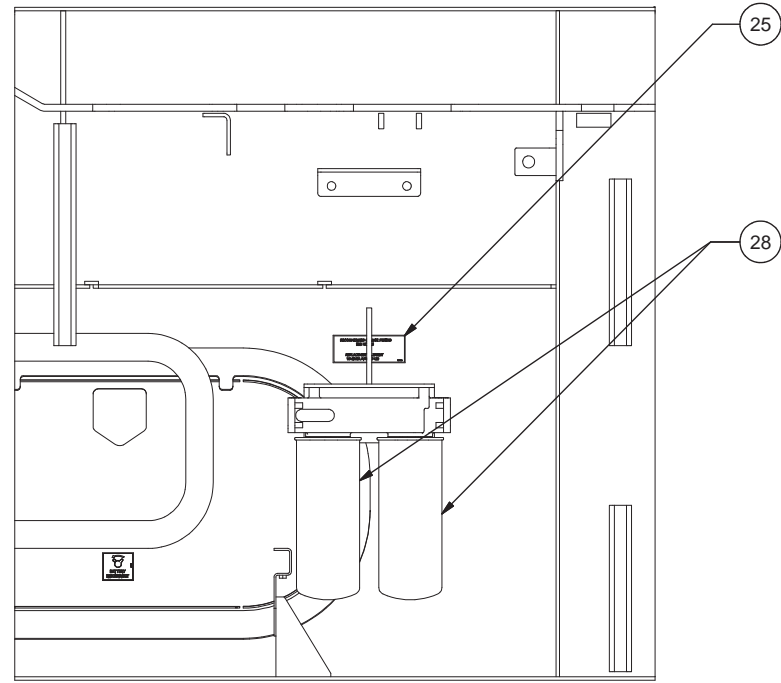
VIEW 2C-2C



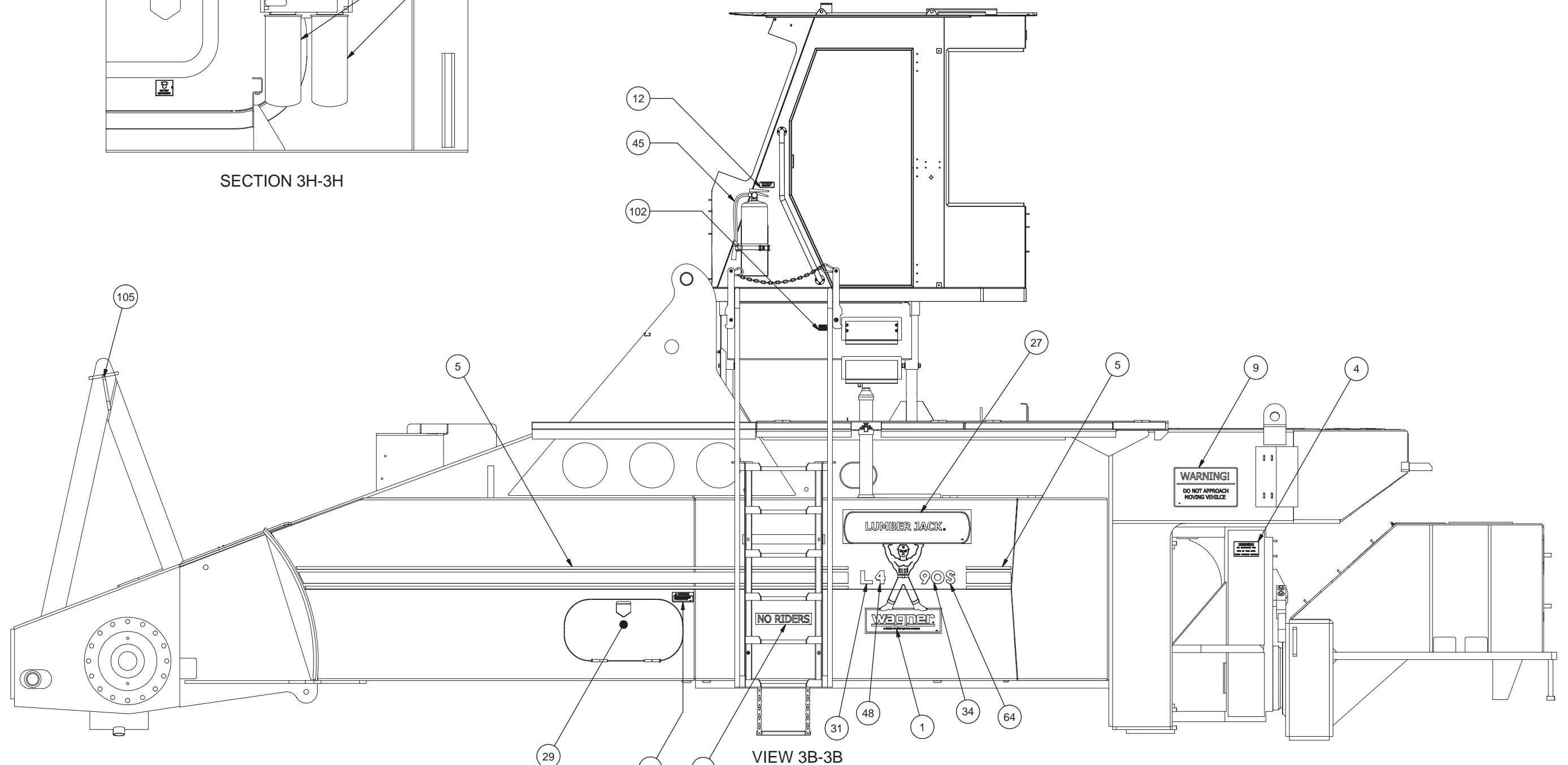
SECTION 2G-2G



VIEW 2A-2A

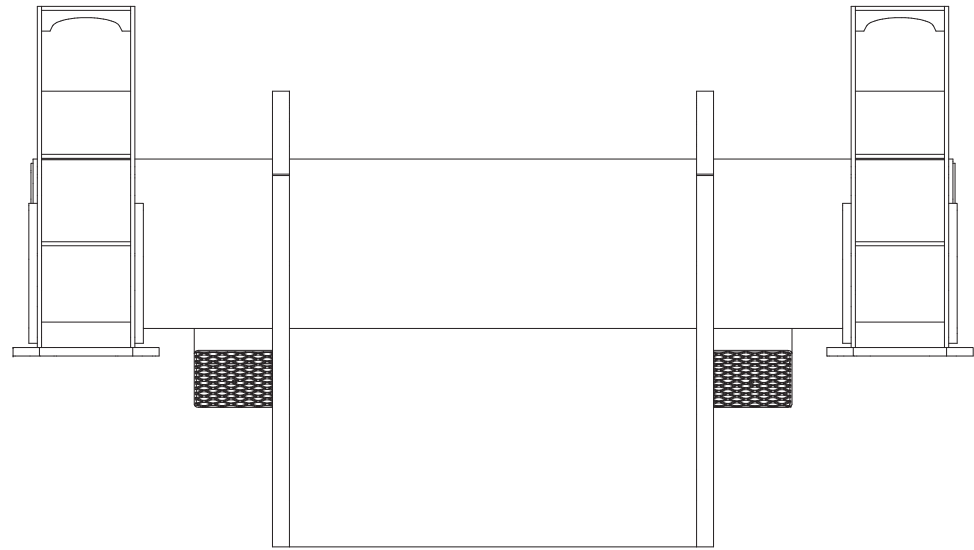


SECTION 3H-3H

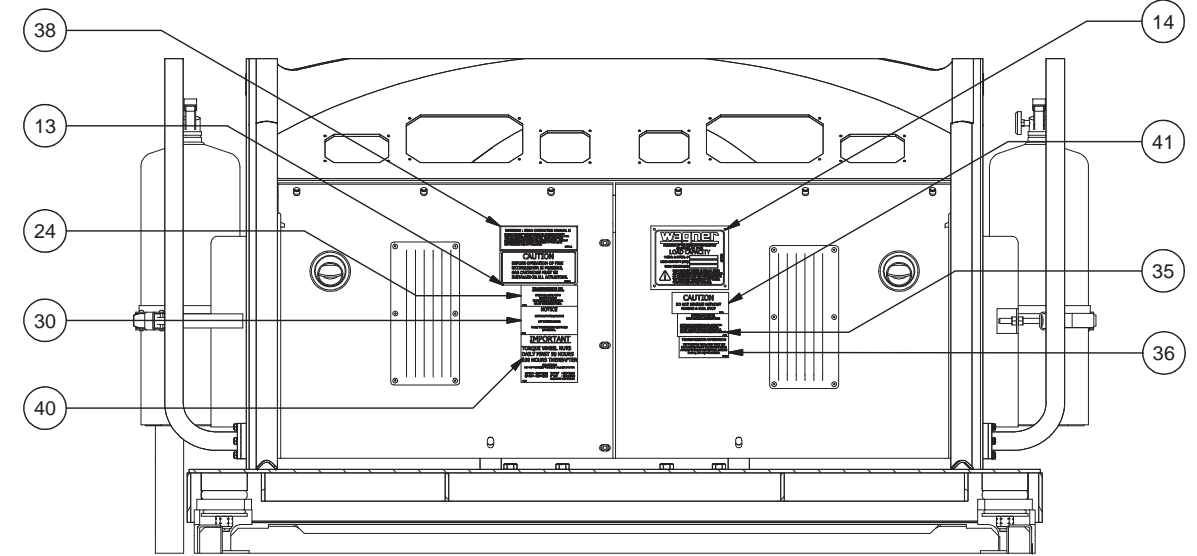


VIEW 3B-3B

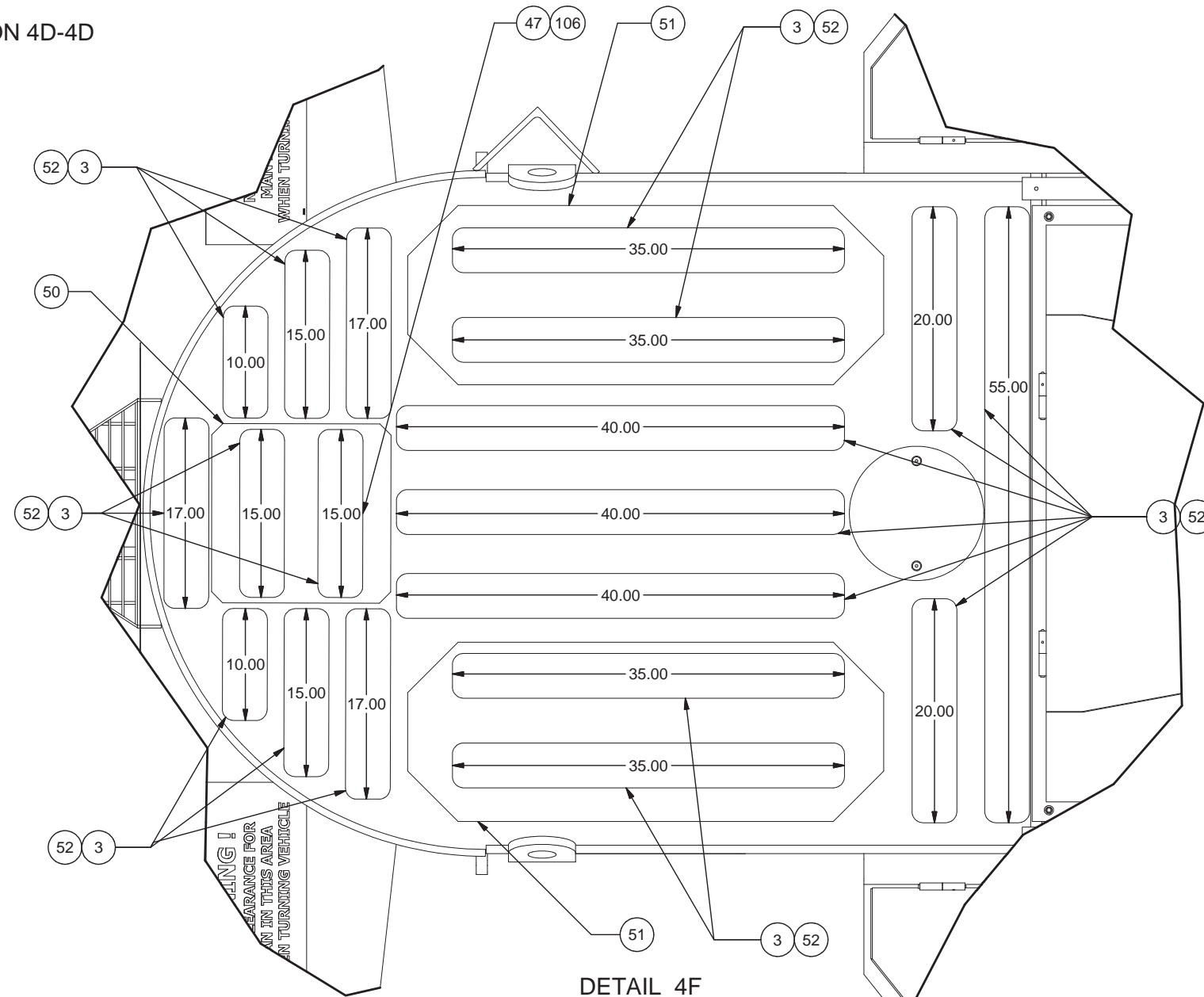
INSTALL INSIDE BATTERY  
COMPARTMENT NEAR  
DISCONNECT SWITCH



SECTION 4D-4D



SECTION 4E-4E



DETAIL 4F  
PLACE ITEM 3 APPROX. AS SHOWN