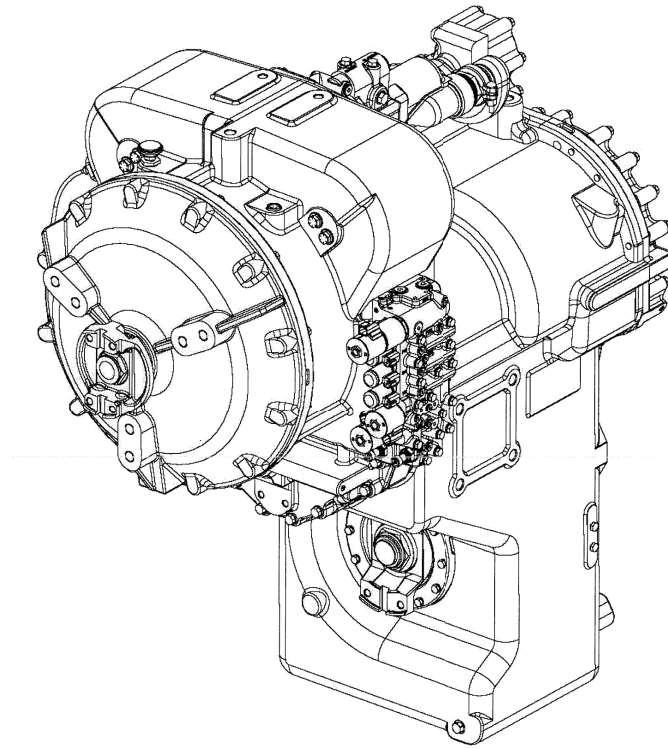
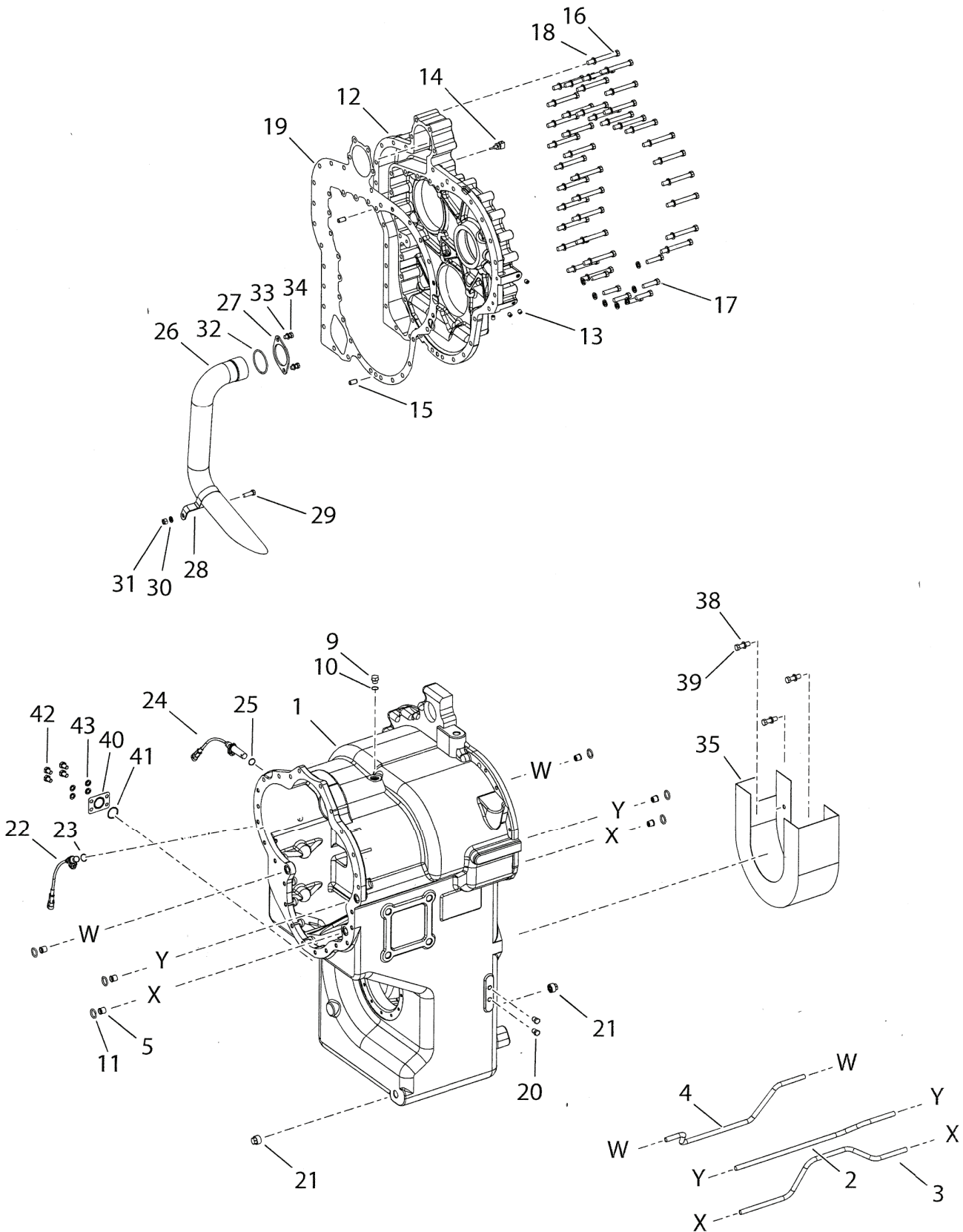


Transmission



GROUP	PAGE	GROUP	PAGE
Case & Rear Cover	2	1ST Speed Clutch Shaft	24
Converter Housing	4	4TH Speed Clutch Shaft	26
Converter Housing Lockup Spacer	6	Idler Shaft Gear	28
Kit, Flex Plate.....	7	Idler Shaft	29
Turbine Shaft	8	Output Shaft	30
Input Drive Gear	10	Flange	32
Pump Drive	11	Regulator Valve For Selector Lube	33
Impeller - Group	12	Valve Regulator Assembly	34
Fwd/Rev - 2ND/4TH Clutch Shaft Assy	14	Control Valve	36
1ST Gear	15	Remote Filter Adapter	38
Forward Clutch Shaft	16	Shipping Cover	39
3RD Speed Clutch Shaft.....	18	Lock-Up Modulator Valve Assembly	40
3RD Speed Shaft	20	Lock-Up Modulator Valve Assembly	41
Rev/2ND Clutch Shaft	22		

Case & Rear Cover

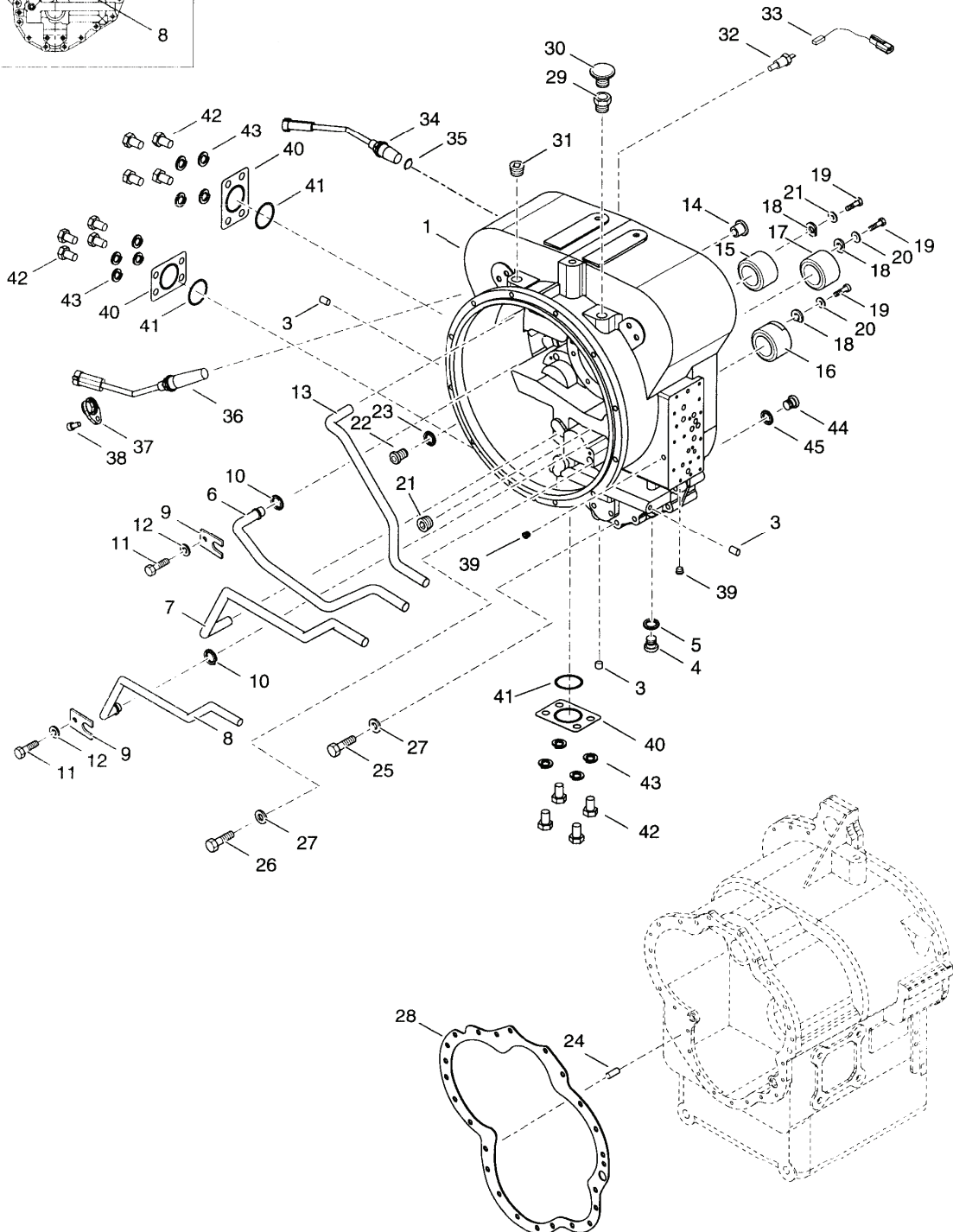
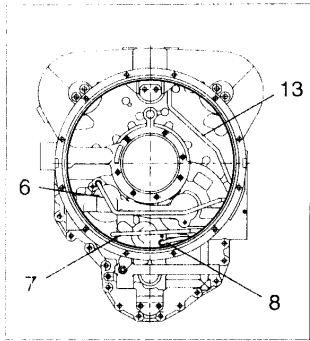


Case & Rear Cover

Item	Part No.	Qty	Description	Item	Part No.	Qty	Description
593279 Case & Rear Cover Group							
1	592858	1	.Transmission Case, Assy	27	592874	1	.Flange Suction Tube
2	592859	1	.. Tube, 1ST Spd CL Pressure	28	592875	1	.Clamp, Suction Tube
3	592860	1	.. Tube, Low Shaft Rear Brg	29	218512	1	. Capscrew
4	592861	1	.. Tube, 3RD Speed Clutch Pres	30	201567	1	. Washer, Lock
5	212320	6	. Sleeve, Press & Luber Tube	31	00102635	1	. Nut
9	212762	1	. Plug	32	*a 592876	1	. O-Ring
10	*a 211564	1	.. O-Ring	33	201567	2	. Washer, Lock
11	*a R13803633	6	. O-Ring, Clutch Pres Tube	34	00179837	2	. Screw, Retainer Washer
12	592863	1	. Rear Cover And Exp Plug	35	592877	1	. Baffle, Assy
13	NSS	4	.. Plug, Expansion	38	592878	3	. Washer, Seal
14	592864	1	. Sensor, Temperature	39	592879	3	. Capscrew
15	212486	2	. Pin, Case To Rear Cover Dowel	39A	592880	3	. Spacer, Baffle
16	238757	37	. Capscrew	40	592881	1	. Cover, Split Flange
17	592865	7	. Capscrew	41	*a 592882	1	. O-Ring
18	200603	44	. Washer, Lock	42	592883	4	. Capscrew
19	*a 592866	1	. Gasket,Rear Cover To Trans Case	43	592884	4	. Washer, Lock
20	209512	2	. Plug, Oil Level	44	NI 592885	1	. Cap, Protection F/Sensor
21	592868	2	. Plug, Magnetic Drain				
22	592869	1	. Speed Sensor, Assy				
23	*a 592870	1	.. O-Ring	NSS	Not Sold Separately		
24	592871	1	. Speed Sensor, Assy	NI	Not Illustrated		
25	*a 592870	1	.. O-Ring	*a	Included in 593315 Kit, Seal		
26	592873	1	.Suction Tube, Assy				

Note: 593315 Kit, Seal is used on multiple transmissions and may contain extra parts not used on this installation.

Converter Housing



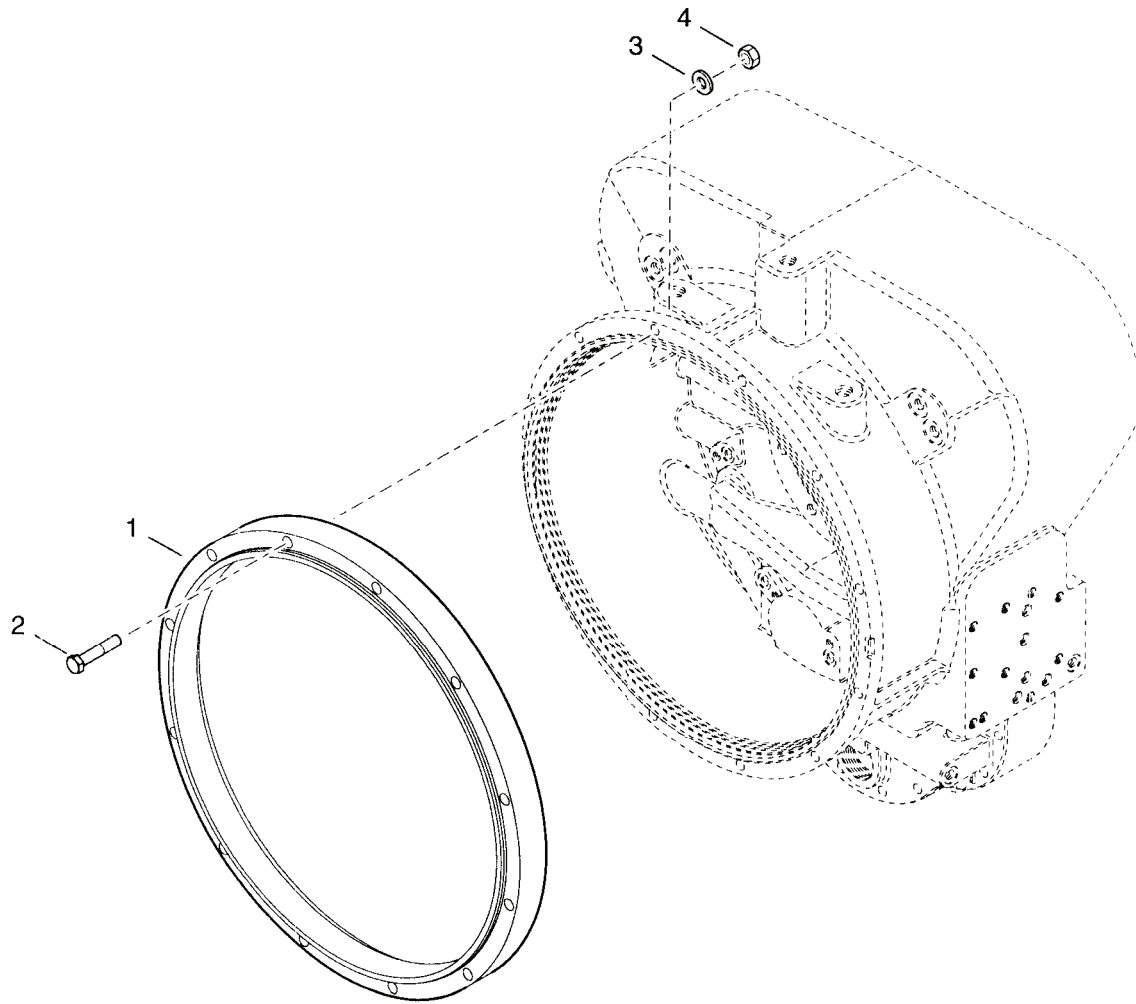
Converter Housing

Item	Part No.	Qty	Description	Item	Part No.	Qty	Description
	593280		Converter Housing Group				
1	592886	1	. Converter Housing, Assy	24	212486	2	. Dowel Pin
	NI 592887	1	.. Conv Hsg & Expansion Plugs, Assy	25	*a 593416	14	. Capscrew
3	NSS	3	... Plug, Expansion	26	201615	9	. Capscrew
4	592888	1	.. Plug	27	200603	23	. Washer, Lock
5	*a 592890	1	... O-Ring	28	*a 593417	1	. Gasket, Converter To Trans
6	592891	1	.. Forward Pressure Tube Assy	29	209505	1	. Bushing, Pipe Reducing
7	592892	1	.. Tube, 3RD	30	R238535	1	. Air, Breather
8	592893	1	.. 4Th Pressure Tube, Assy	31	200622	1	. Pipe Plug
9	592894	2	.. Clip, Tube	32	592872	1	. Switch, Temperature
10	*a R13803622	2	.. O-Ring	33	593082	1	. Adaptor, Temp Switch
11	R13800168	2	.. Capscrew	34	592869	1	. Speed Sensor, Assy
12	201566	2	.. Washer, Lock	35	*a 592870	1	.. O-Ring, Speed Sensor
13	592895	1	.. Tube, Valve Oil Supply	36	593083	1	. Speed Sensor, Assy
14	212320	1	.. Sleeve, Pressure & Lubr Tube	36A	*a 592870	1	.. O-Ring, Speed Sensor
15	592896	1	.. Sleeve Converter Housing	39	209511	2	. Pipe Plug
16	592898	1	.. Sleeve, Conv Housing Rev, 2ND	40	592881	3	. Cover, Split Flange
17	592899	1	.. Sleeve, Conv Housing 4TH	41	*a 592882	3	. O-Ring
18	218446	3	.. Washer	42	592883	12	. Capscrew
19	R13800168	3	.. Capscrew	43	592884	12	. Washer, Lock
20	201566	3	.. Washer, Lock	44	592901	1	. Plug, Screw Type
21	232076	1	.. Plug	45	*a 232087	1	. O-Ring
22	592901	2	.. Plug, Screw Type		NI 593312	2	. Bracket
23	*a 232087	2	.. O-Ring				

NSS Not Sold Separately
 NI Not Illustrated
 *a Included in 593315 Kit, Seal

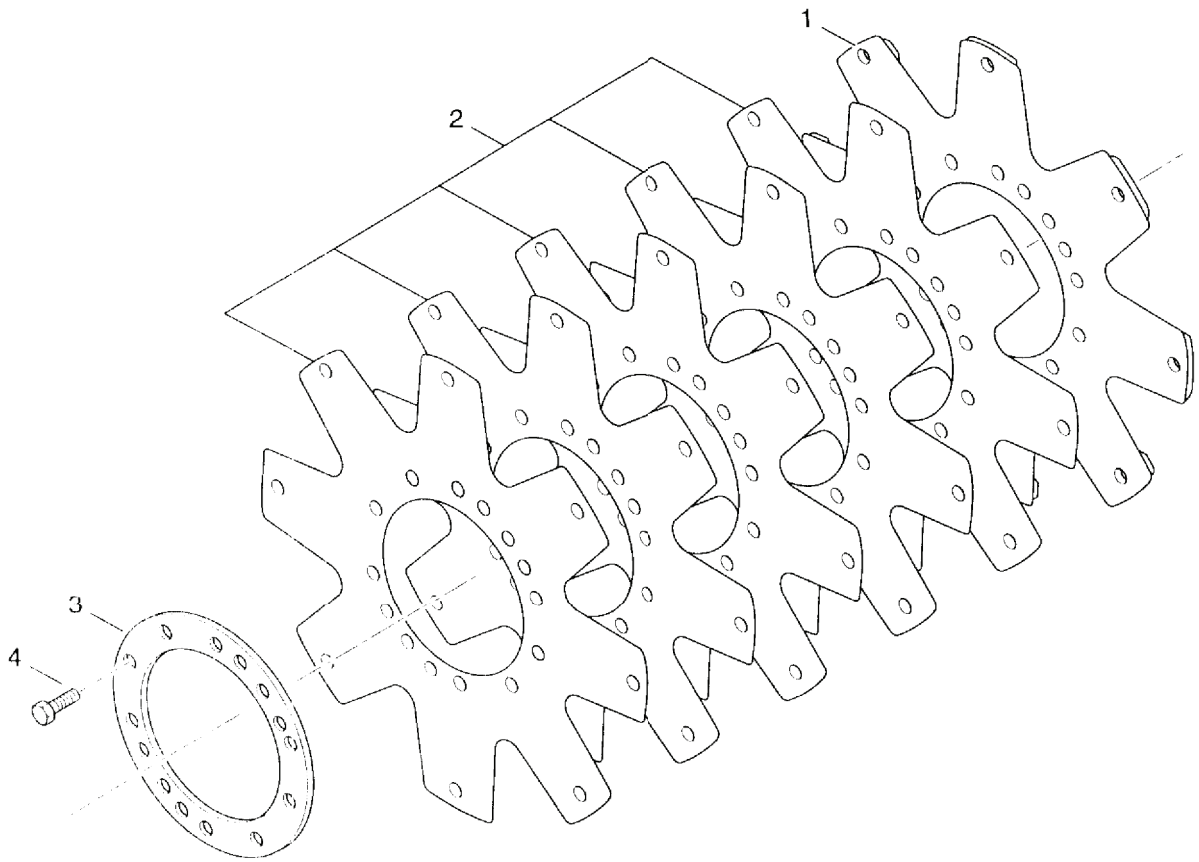
Note: 593315 Kit, Seal is used on multiple transmissions and may contain extra parts not used on this installation.

Converter Housing Lockup Spacer



Item	Part No.	Qty	Description	Item	Part No.	Qty	Description
	593281		Converter Housing Lockup Spacer Group				
1	593084	1	. Adaptor Ring				
2	00179870	2	. Capscrew				
3	200603	2	. Washer, Lock				
4	593085	2	. Nut				

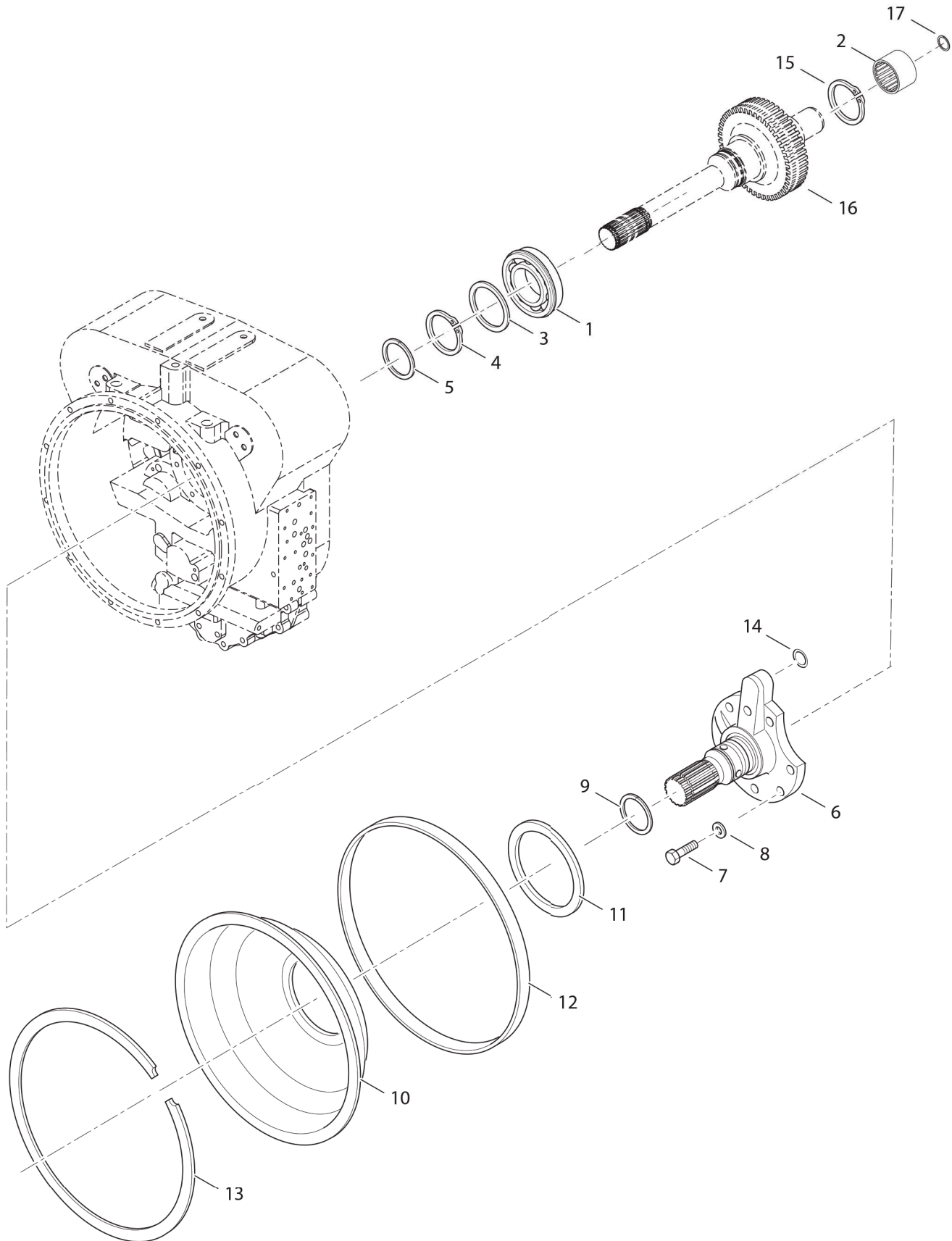
Kit, Flex Plate



Item	Part No.	Qty	Description	Item	Part No.	Qty	Description
			Kit, Flex Plate				
1	593086	1	. Kit, Flex Plate				
2	NSS	5	. Plate, Drive				
3	256300	1	. Ring, Drive Plate Backing				
4	256303	14	. Capscrew				

NSS Not Sold Separately

Turbine Shaft - Group



Turbine Shaft - Group

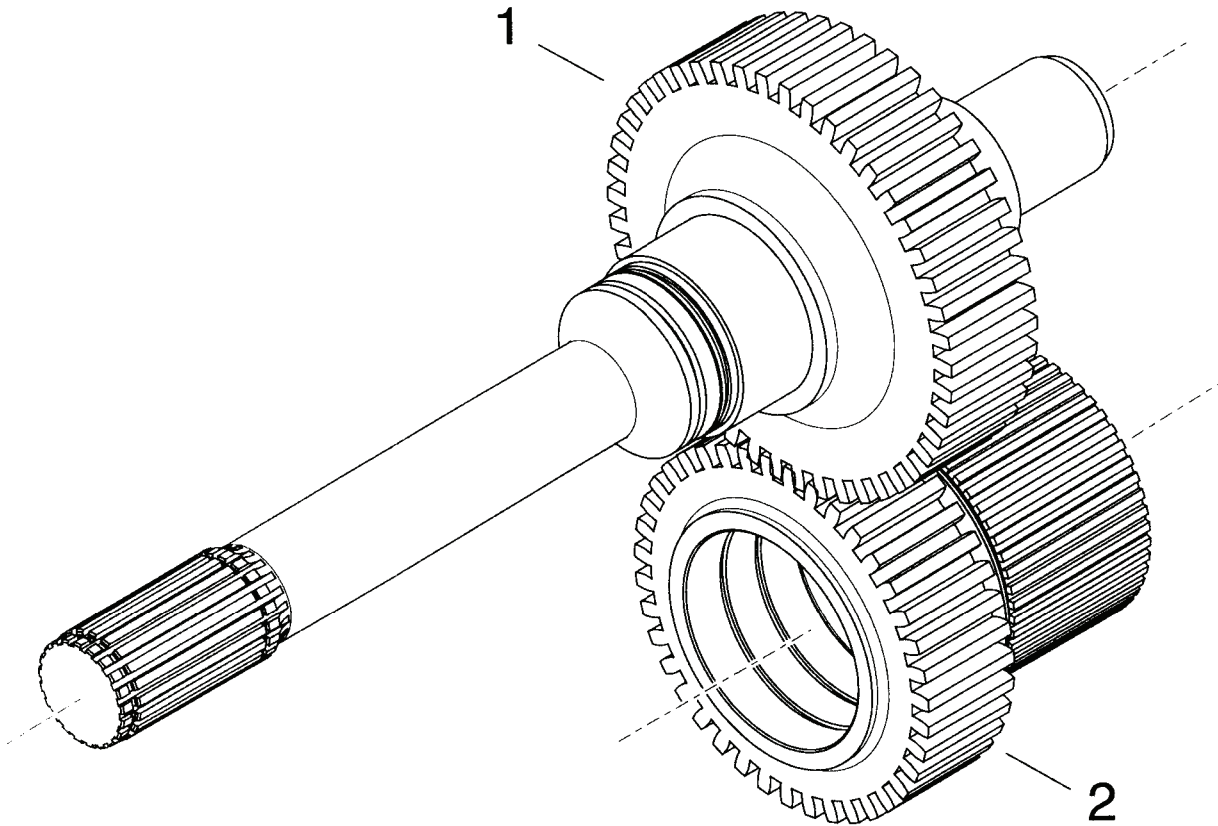
Item	Part No.	Qty	Description	Item	Part No.	Qty	Description
	593282		Turbine Shaft - Group				
1	*b 593087	1	. Bearing, Turbine Shaft Front	10	593094	1	. Baffle, Oil
2	*b 593088	1	. Bearing, Turbine Shaft Rear	11	*a 593093	1	. Seal, Oil Baffle
3	593045	1	. Spacer, Front Bearing	12	*a R229804	1	. Ring, Oil Baffle Seal
4	*b 593046	1	. Ring, Snap	13	R229805	1	. Ring, Oil Baffle Ret
5	*a 593089	1	. Ring, Piston	14	*a 593254	1	. O-Ring
6	593090	1	. Stator Support & Sleeve, Assy	15	593095	1	. Snap Ring, Internal
7	593091	7	. Capscrew	16	-----		Reference Only. See Page 10
8	593092	7	. Washer, Lock	17	*a 208537	1	. Ring, Lockup Piston
9	*a 242393	1	. Ring, Piston				

*a Included in 593315 Kit, Seal

*b Included in 593268 Kit, Bearing

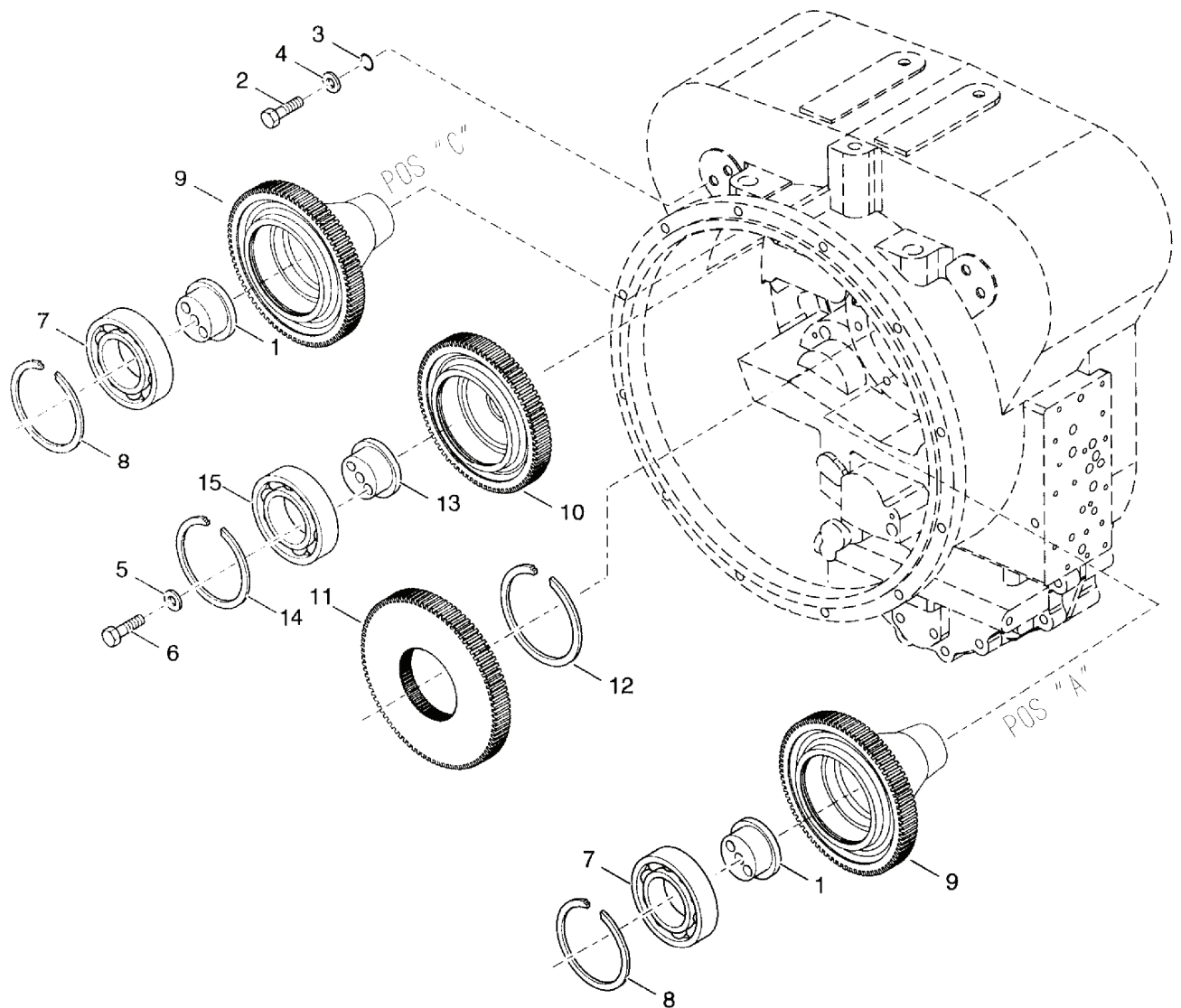
Note: 593315 Kit, Seal and 593268 Kit, Bearing are used on multiple transmissions and may contain extra parts not used on this installation.

Input Drive Gear



Item	Part No.	Qty	Description	Item	Part No.	Qty	Description
	593283		Input Drive Gear Group				
1	593096	1	. Shaft, Turbine				
2	593097	2	. Gear, Clutch Driven 39T				

Pump Drive



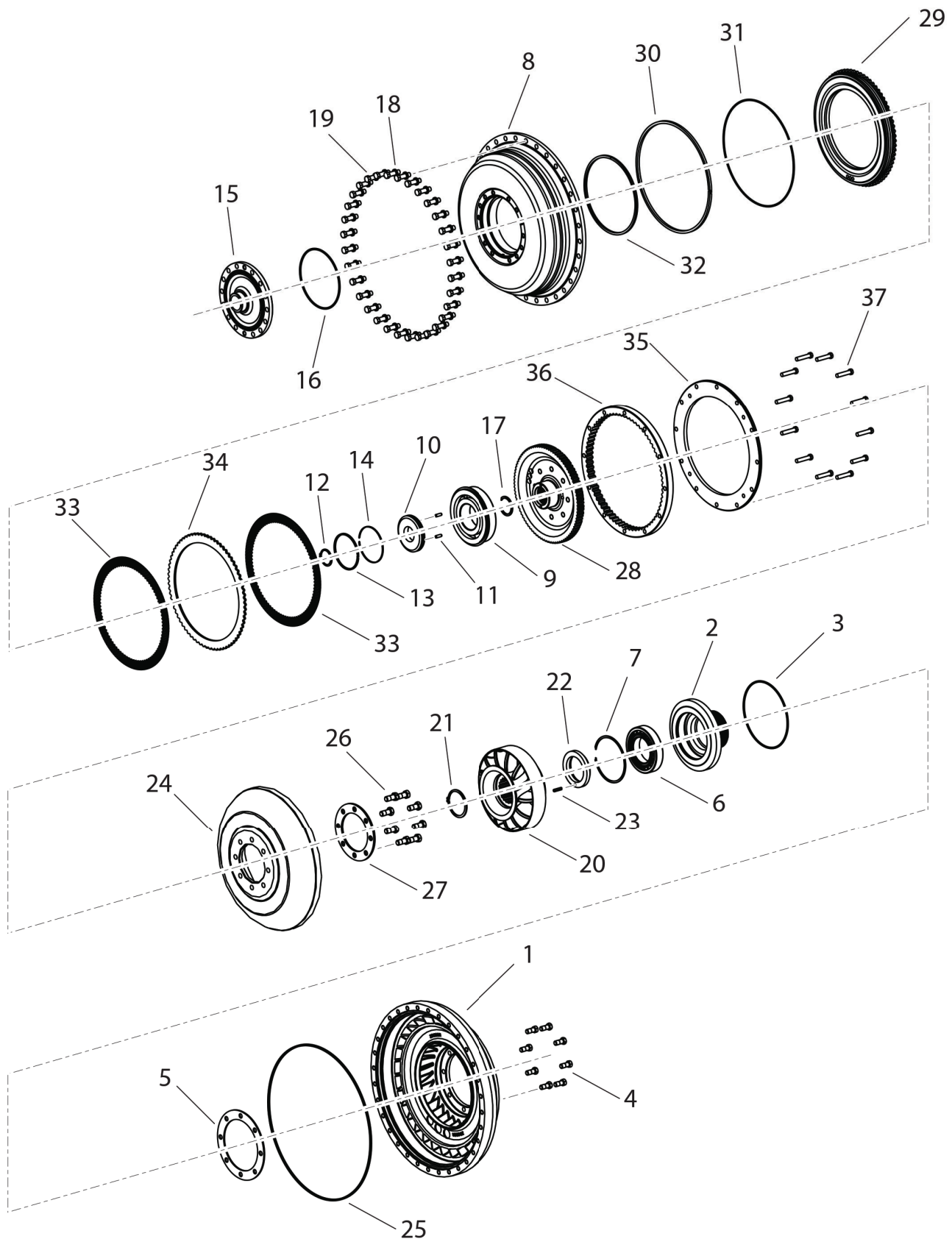
Item	Part No.	Qty	Description	Item	Part No.	Qty	Description
	593284		Pump Drive - Group				
1	593098	2	. Support, Pump Drive Bearing	9	593100	2	. Gear, Aux Pump Drive
2	181436	4	. Capscrew, Bearing Support	10	593101	1	. Gear, Charge Pump Drive
3	593047	4	. Washer, Plain	11	593102	1	. Gear, Impeller Hub
4	*a 219821	4	. Washer, Seal	12	212472	1	. Ring, Snap Impeller Hub Gear
5	200604	2	. Washer, Lock, Charge Pump	13	593103	1	. Support, Pump Drive Bearing
6	210961	2	. Capscrew, Bearing Support	14	*b R11992936	1	. Snap Ring
7	*b 593099	2	. Bearing, Ball	15	*b 593104	1	. Bearing, Ball
8	*b 239903	2	. Ring, Snap Pump Gear				

*a Included in 593315 Kit, Seal

*b Included in 593268 Kit, Bearing

Note: 593315 Kit, Seal and 593268 Kit, Bearing are used on multiple transmissions and may contain extra parts not used on this installation.

Impeller - Group



Impeller - Group

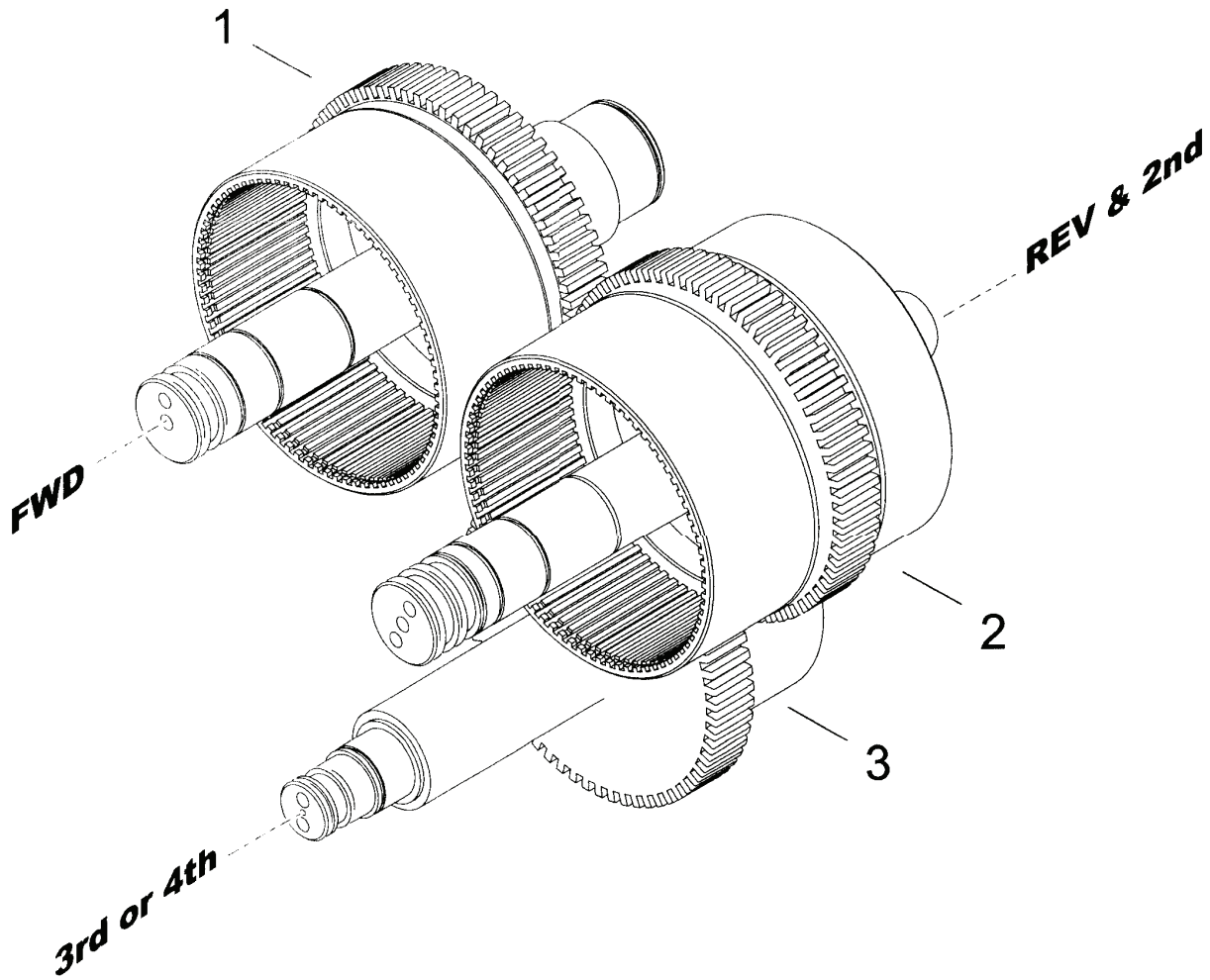
Item	Part No.	Qty	Description	Item	Part No.	Qty	Description
	593285		Impeller - Group				
1	593105	1	. Impeller, 15.5	22	593108	1	. Spacer, Reaction Member
2	201286	1	. Hub, Impeller	23	212526	1	. Pin, Dowel
3	*a 212528	1	. O, Ring, Impeller Hub	24	593109	1	. Turbine 31 Blades
4	233079	8	. Screw, Self Lock Impeller To Hub	25	*a 214760	1	. O-Ring, Impeller To Cover
5	233082	1	. Ring, Impeller Hub Screw Backing	26	233081	8	. Screw, Turbine Hub
6	*b 212506	1	. Bearing, Roller Impeller Hub	27	233084	1	. Ring, Turbine Hub Screw Backing
7	*b 212527	1	. Ring, Snap Bearing	28	593110	1	. Hub, Turbine
8	593106	1	. Cover, Impeller	29	593111	1	. Piston, Clutch
9	*b 212521	1	. Bearing, Ball Turbine Hub	30	593112	1	. Ring, Piston
10	212513	1	. Turbine Hub Retainer	31	*a 592867	1	. O-Ring
11	212523	2	. Pin, Dowel	32	214865	1	. Ring, Piston
12	*b 212514	1	. Ring, Snap	33	593113	2	. Disc, Lockup
13	222457	1	. Ring, Piston	34	593114	1	. Plate Clutch Outer
14	222458	1	. Spring, Piston Ring Expander	35	593115	1	. Backing Plate
15	257363	1	. Cap, Impeller Cover Brg	36	593116	1	. Disc, Outer Drive
16	212515	1	. O-Ring	37	593117	12	. Capscrew
17	*b 212511	1	. Ring, Snap				
18	200603	32	. Washer, Lock				
19	222416	32	. Capscrew				
20	593107	1	. Reaction Member 15.0				
21	Y435242.62	1	. Ring, Snap				

*b Included in 593268 Kit, Bearing

*a Included in 593315 Kit, Seal

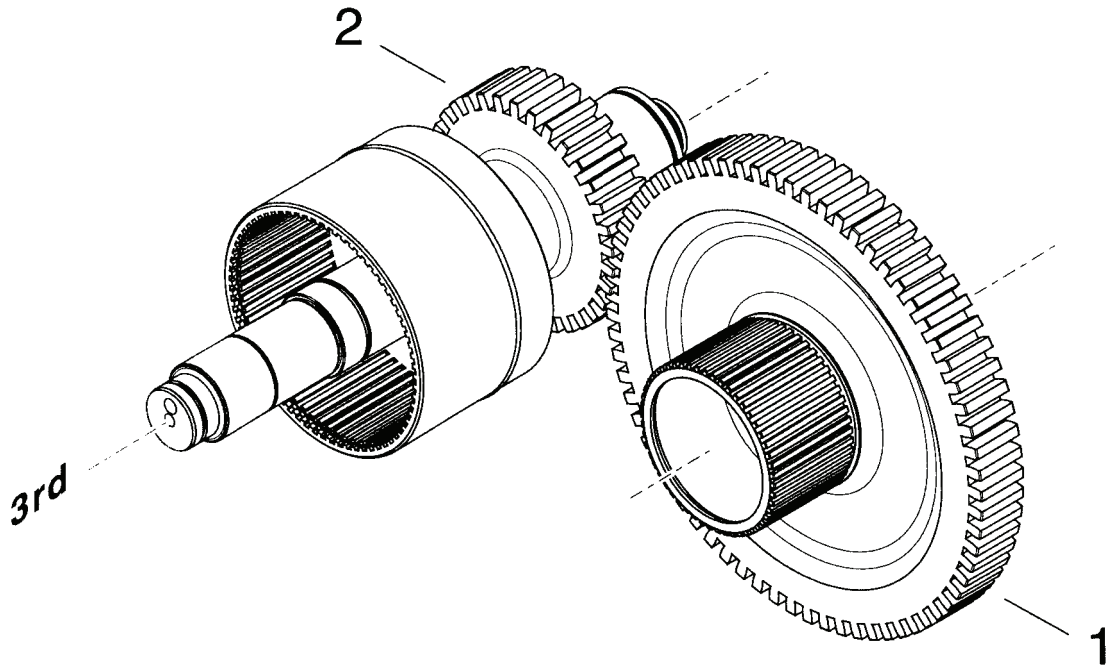
Note: 593315 Kit, Seal and 593268 Kit, Bearing are used on multiple transmissions and may contain extra parts not used on this installation.

Fwd/Rev - 2ND/4TH Clutch Shaft Assy



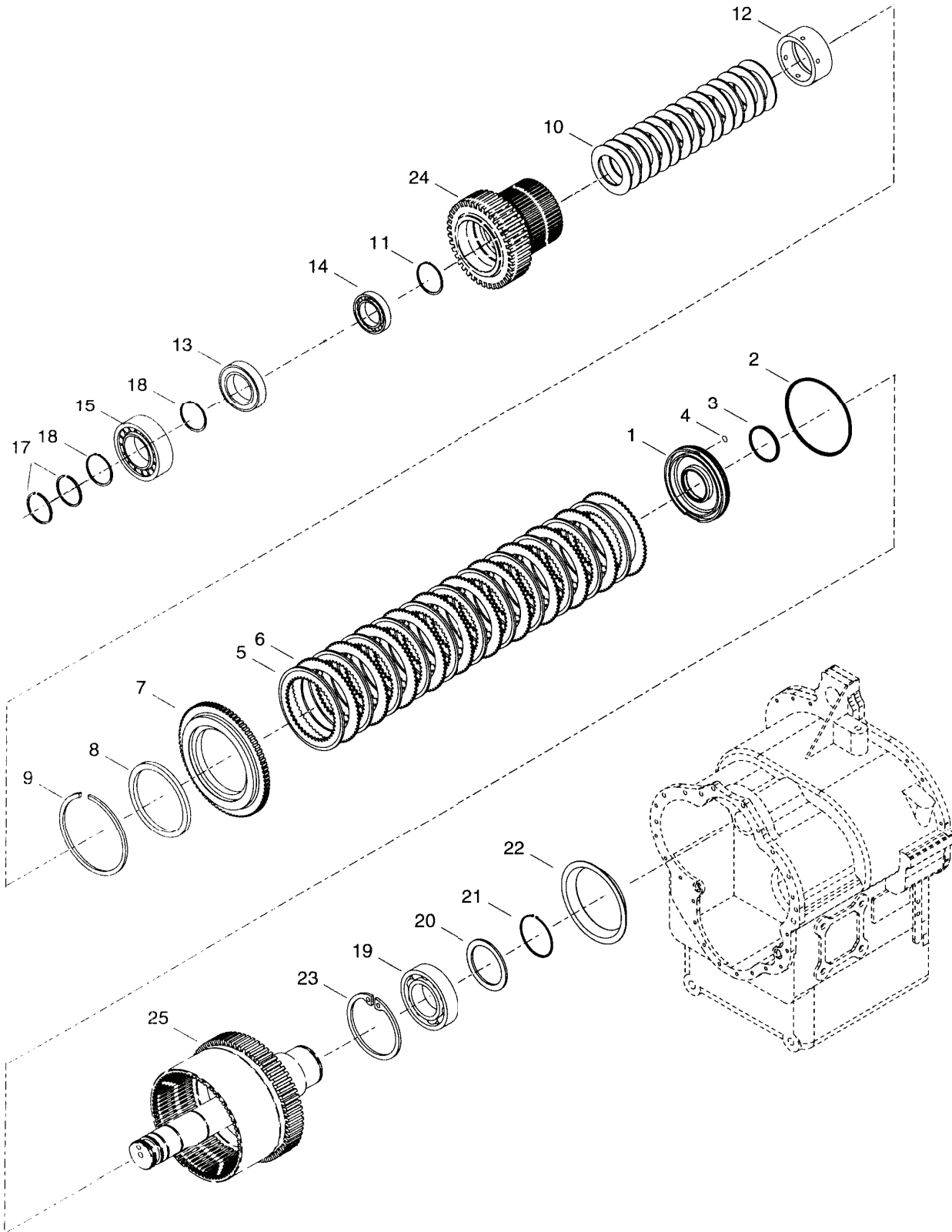
Item	Part No.	Qty	Description	Item	Part No.	Qty	Description
	593286		Fwd/Rev - 2ND/4TH Clutch Shaft Assy - Group				
1	593105	1	. Impeller, 15.5				
2	201286	1	. Hub, Impeller				
3	*a 212528	1	. O-Ring, Impeller Hub				

1ST Gear



Item	Part No.	Qty	Description	Item	Part No.	Qty	Description
	593287		1ST Gear - Group				
1	593146	1	. Gear 1ST Speed 69T				
2	593147	1	. 3RD Clutch Shaft One Piece & Drum				

Forward Clutch Shaft



Forward Clutch Shaft

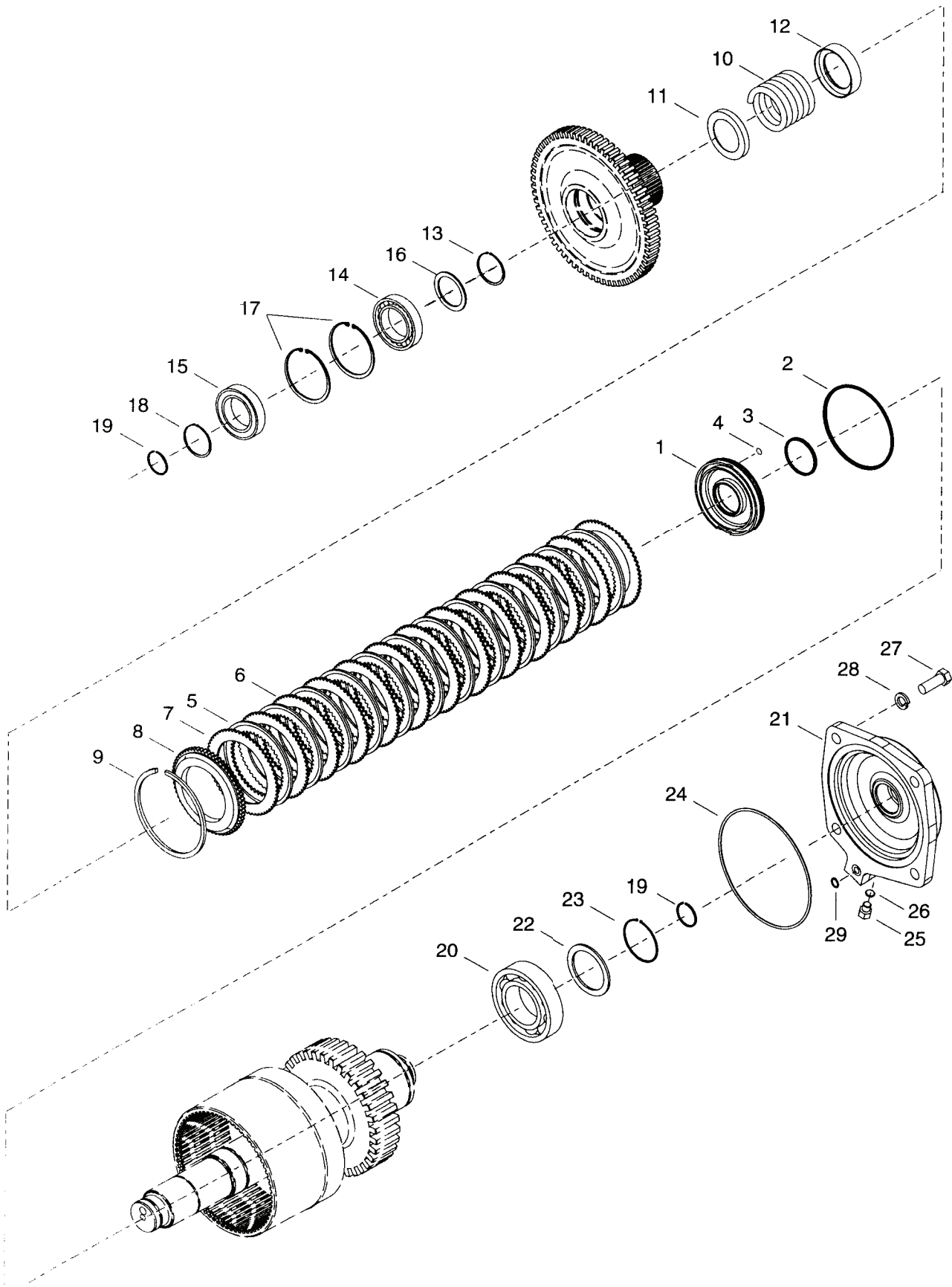
Item	Part No.	Qty	Description	Item	Part No.	Qty	Description
	593288		Forward Clutch Shaft - Group				
1	593048	1	. Piston, Screen & Seals, Assy	14	*b 593059	1	. Bearing, Rear
2	*a 593049	1	. . Seal, Clutch Piston Outer	15	*b 93129	1	. Bearing, Rear
3	*a 251233	1	. . Seal, Clutch Piston	17	*a 593060	2	. Ring, Piston
4	NSS	1	. . Screen	18	*b 593056	2	. Ring, Retaining
5	593050	11	. Plate, Friction	19	*b 212521	1	. Ball Bearing
6	593051	11	. Disc, Clutch Outer	20	593045	1	. Spacer Front Bearing
7	593052	1	. End Plate, Fwd	21	*b 593046	1	. Ring, Snap
8	*a 593053	1	. Seal, Lip	22	593130	1	. Oil, Retainer
9	593054	1	. Ring, Snap	23	*b 593131	1	. Ring, Snap
10	593055	1	. Spring, Belleville	24	-----		Reference Only. See Page 10
11	*b 593056	1	. Ring, Retaining	25	-----		Reference Only. See Page 14
12	593057	1	. Sleeve, Selective Lube				
13	*b 593058	1	. Bearing, Clutch Driven Gear				

*a Included in 593315 Kit, Seal

*b Included in 593268 Kit, Bearing

Note: 593315 Kit, Seal and 593268 Kit, Bearing are used on multiple transmissions and may contain extra parts not used on this installation.

3RD Speed Clutch Shaft



3RD Speed Clutch Shaft

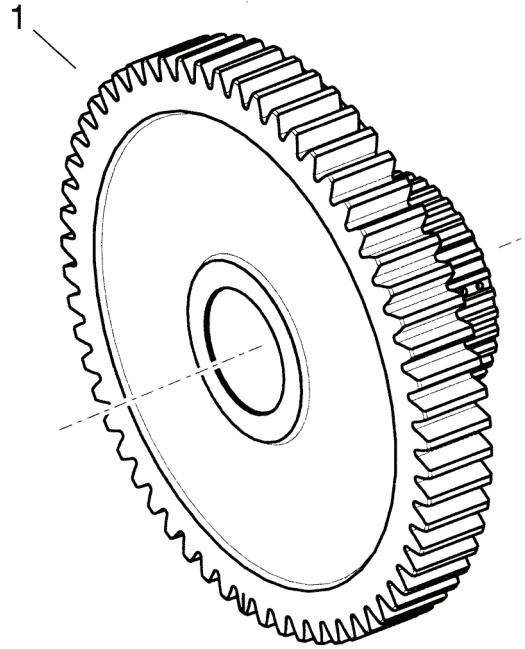
Item	Part No.	Qty	Description	Item	Part No.	Qty	Description
	593289		3RD Speed Clutch Shaft - Group				
1	593061	1	. CL Piston,Screen & Seals, Assy	16	R11992900	1	. Washer, Bearing Support
2	*a 593062	1	. . Seal, Clutch Piston Outer	17	*b 215309	2	. Ring, Snap
3	*a 251233	1	. . Seal, Clutch Piston	18	593134	1	. Ring, Snap
4	593063	1	. . Screen	19	*a 593071	2	. Ring, Piston
5	593064	12	. Disc, Clutch Inner	20	*b 212521	1	. Ball Bearing
6	593065	11	. Disc, Friction Outer	21	593135	1	. Cap 3RD Speed Shaft Rear Bearing
7	593066	2	. Disc, Friction Outer Half	22	593045	1	. Spacer Front Bearing
8	593067	1	. End Plate	23	*b 593046	1	. Ring, Snap
9	218565	1	. Snap Ring	24	R13803661	1	. O Ring
10	593068	1	. Spring, Piston Return	25	593072	1	. Plug
11	593069	1	. Spring, Retainer	26	*a 593073	1	. O-Ring
12	593070	1	. Spacer, Clutch Piston Spacer	27	200574	4	. Capscrew
13	*b 593056	1	. Ring, Retaining	28	200605	4	. Washer, Lock
14	*b 593132	1	. Bearing	29	*a R13803621	1	. O-Ring
15	*b 593133	1	. Bearing				

*a Included in 593315 Kit, Seal

*b Included in 593268 Kit, Bearing

Note: 593315 Kit, Seal and 593268 Kit, Bearing are used on multiple transmissions and may contain extra parts not used on this installation.

3RD Speed Shaft



3RD Speed Shaft

Item	Part No.	Qty	Description	Item	Part No.	Qty	Description
1	593136	1	3RD Speed Shaft - Group Gear 3Rd Speed 64T				

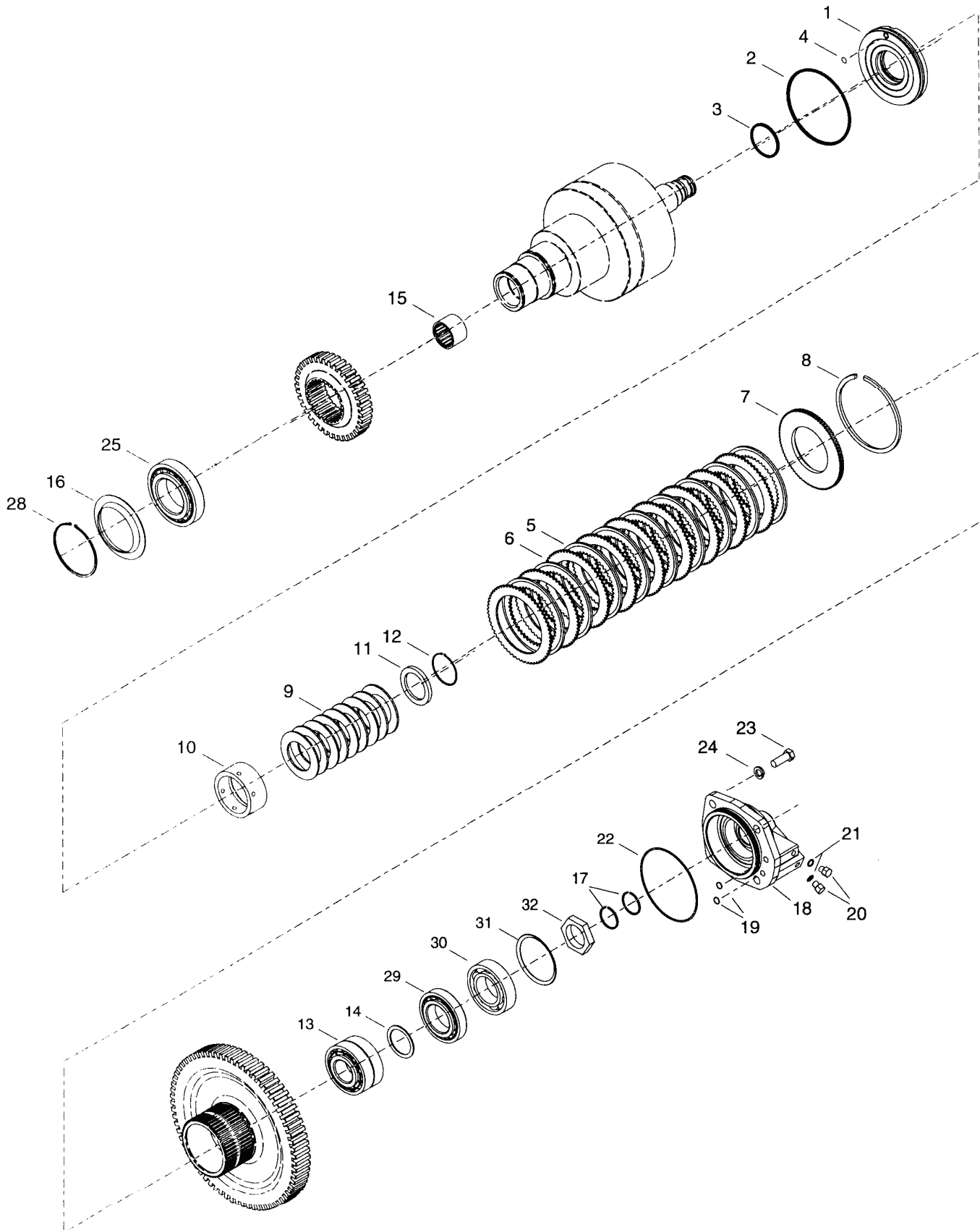
Rev/2ND Clutch Shaft

Item	Part No.	Qty	Description	Item	Part No.	Qty	Description
	593290		Rev/2ND Clutch Shaft - Group				
1	593048	1	. Piston, Screen & Seals, Assy	24	*b 593058	1	. Bearing, Clutch Driven Gear
2	*a 593049	1	.. Seal, Clutch Piston Outer	25	*b 593059	1	. Bearing, Rear
3	*a 251233	1	.. Seal, Clutch Piston	27	593056	1	. Ring, Retaining
4	NSS	1	.. Screen	28	*b 593140	1	. Bearing, Ball
5	593138	1	. Spring, Belleville	29	593056	1	. Ring, Retaining
6	593139	1	. Clutch Piston Spacer	30	593148	1	. Ring, Dence
7	593056	1	. Ring, Retaining	31	593149	1	. Bearing, Thrust Washer
8	593050	7	. Plate, Friction	32	593150	1	. Hub 2ND Clutch Disc
9	593074	7	. Disc, Clutch Outer	33	593151	1	. Snap Ring, Internal
10	593075	1	. End Plate	34	593152	1	. Retainer, 2ND Clutch Disc Hub
11	593054	1	. Ring, Snap	35	593076	1	. External Snap Ring
12	593048	1	. Piston, Screen & Seals, Assy	36	*a 593060	3	. Ring, Piston
13	*a 593049	1	.. Seal, Clutch Piston Outer	37	-----	0	Reference Only. See Page 10
14	*a 251233	1	.. Seal, Clutch Piston	38	-----	0	Reference Only. See Page 14
15	NSS	1	.. Screen				
16	593056	1	. Ring, Retaining				
17	593050	11	. Plate, Friction				
18	593051	11	. Disc, Clutch Outer				
19	593052	1	. End Plate Rev				
20	*a 593053	1	. Seal Lip				
21	593054	1	. Ring, Snap				
22	593055	1	. Spring, Belleville				
23	593057	1	. Sleeve, Selective Lube				

*a Included in 593315 Kit, Seal
 *b Included in 593268 Kit, Bearing

Note: 593315 Kit, Seal and 593268 Kit, Bearing are used on multiple transmissions and may contain extra parts not used on this installation.

1ST Speed Clutch Shaft - Group



1ST Speed Clutch Shaft - Group

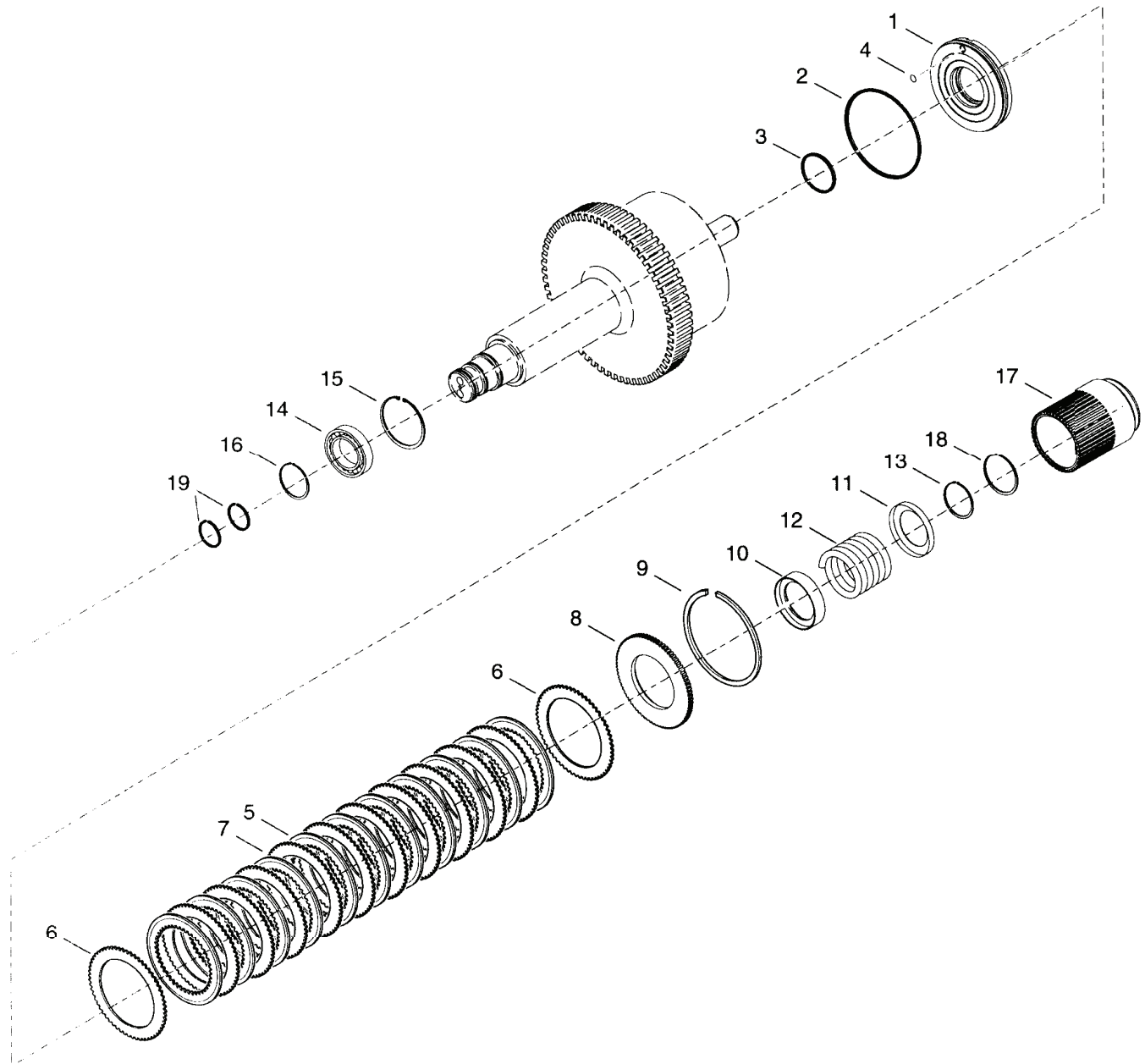
Item	Part No.	Qty	Description	Item	Part No.	Qty	Description
	593291		1ST Speed Clutch Shaft - Group				
1	593048	1	. Piston, Screen & Seals, Assy	17	*a 593071	2	. Ring, Piston
2	*a 593049	1	. . Seal, Clutch Piston Outer	18	593157	1	. Cap 1St Speed Shaft Rear Brg
3	*a 251233	1	. . Seal, Clutch Piston	19	*a R13803621	2	. O-Ring
4	593063	1	. . Screen	20	593072	2	. Plug
5	593050	11	. Plate, Friction	21	*a 593073	1	. . O Ring
6	593074	11	. Disc, Clutch Outer	22	*a 593158	1	. O-Ring
7	593075	1	. End Plate	23	200574	4	. Capscrew
8	593418	1	. Retainer , Snap Ring	24	200605	4	. Washer, Lock
9	593077	1	. Spacer, Clutch Piston	25	*b 593159	1	. Bearing
10	593077	1	. Spacer, Clutch Piston	28	*b 593160	1	. Snap Ring
11	593153	1	. Retainer, Snap Ring	29	*b 593161	1	. Bearing Roller Rear
12	*b 593056	1	. Ring, Retaining	30	*b 593162	1	. Bearing Ball Rear
13	*b 593154	1	. Tapered Roller Bearing, Assy	31	593163	1	. Spring, Disc
14	R11992900	1	. Washer, Bearing Support	32	593164	1	. Nut
15	*b 593155	1	. Bearing, Needle Roller				
16	593156	1	. Oil Retainer				

*a Included in 593315 Kit, Seal

*b Included in 593268 Kit, Bearing

Note: 593315 Kit, Seal and 593268 Kit, Bearing are used on multiple transmissions and may contain extra parts not used on this installation.

4TH Speed Clutch Shaft



4TH Speed Clutch Shaft

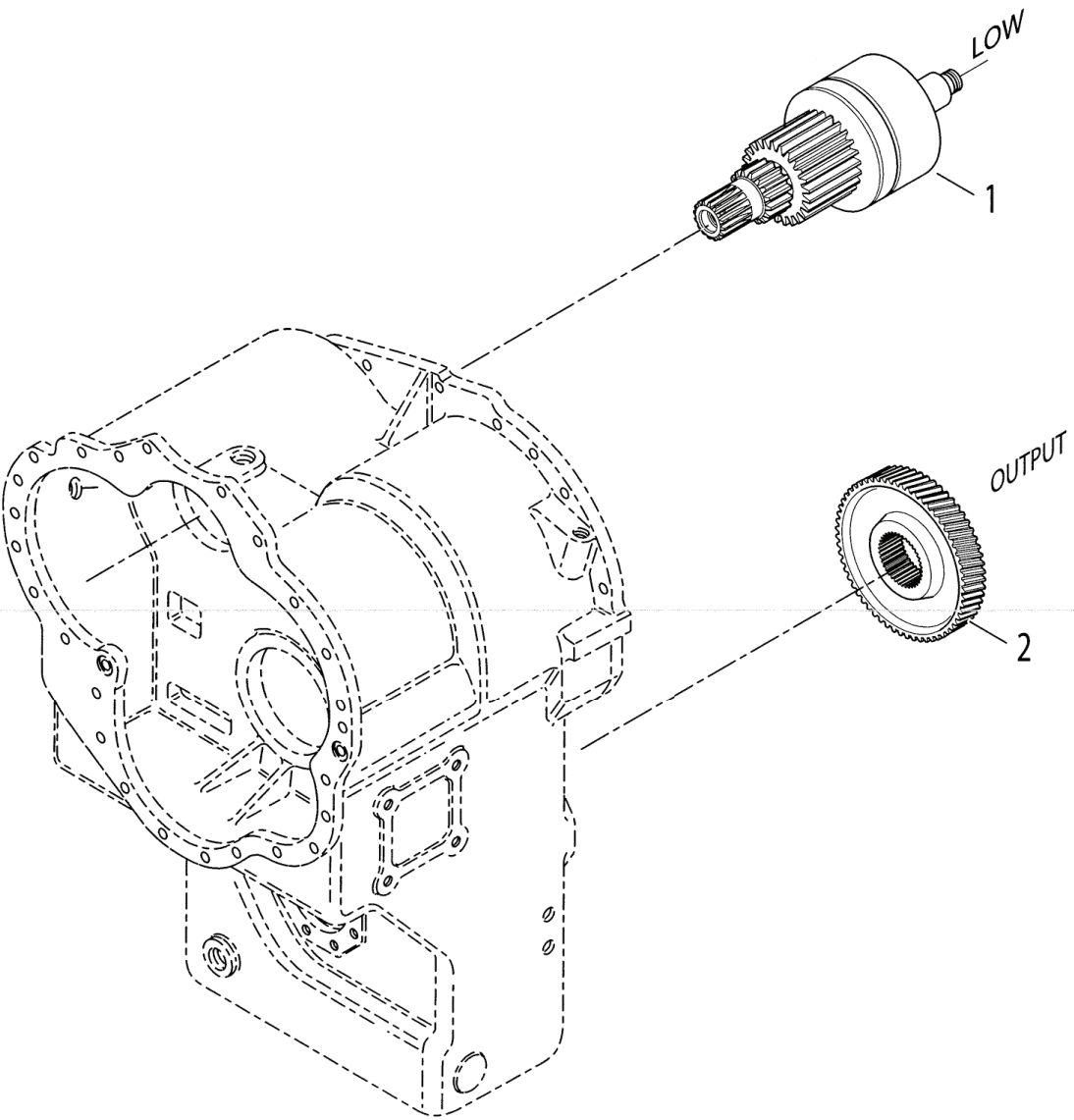
Item	Part No.	Qty	Description	Item	Part No.	Qty	Description
	593296		4TH Speed Clutch Shaft - Group				
1	593061	1	. CL.Piston, Screen & Seals, Assy	10	593070	1	. Spacer, Clutch Piston
2	*a 593062	1	. . Seal, Clutch Piston	11	593069	1	. Spring Retainer
3	*a 251233	1	. . Seal, Clutch Piston	12	593068	1	. Spring, Piston Return
4	593063	1	. . Screen	13	593056	1	. Ring, Retaining
5	593064	11	. Disc, Clutch Inner	14	*b 593165	1	. Bearing, Front
6	593066	2	. Disc, Friction Outer Half	15	*b 593166	1	. Snap Ring, Internal
7	593065	10	. Disc, Friction Outer	16	*b 593167	1	. Ring, Snap
8	593067	1	. End Plate 4TH	17	593168	1	. Hub 4TH Clutch Disc
9	218565	1	. Snap Ring	18	*b 593076	1	. External Snap Ring
				19	*a 593071	1	. Ring, Piston

*b Included in 593268 Kit, Bearing

*a Included in 593315 Kit, Seal

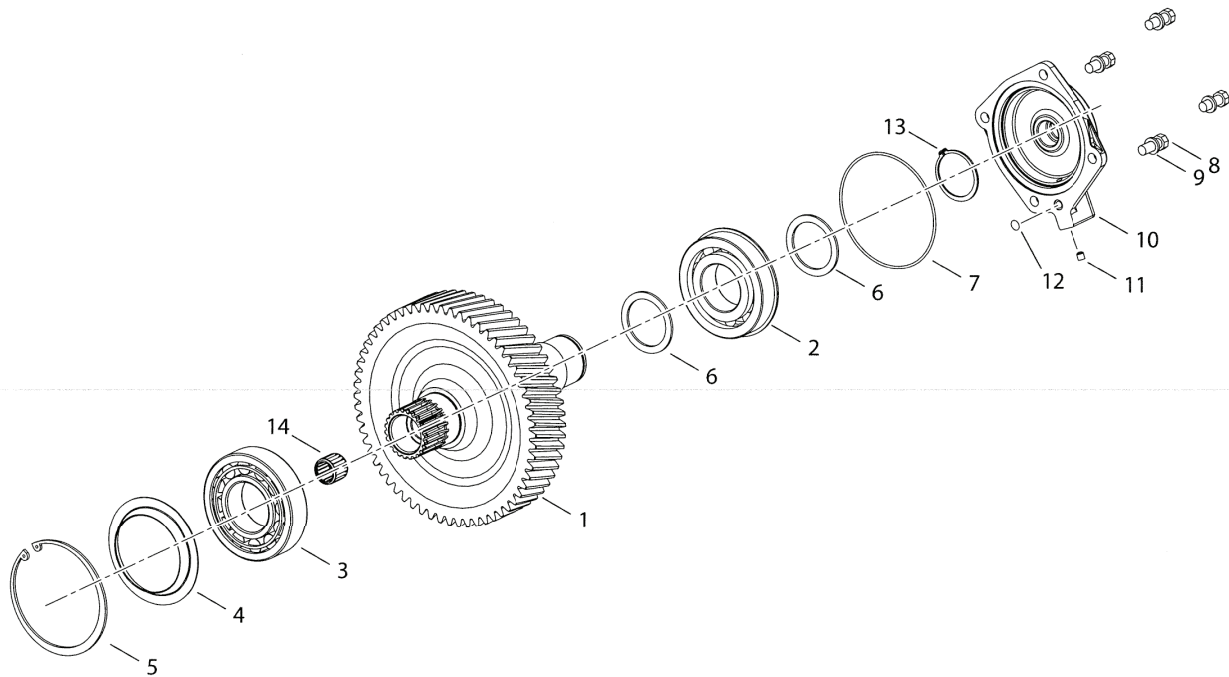
Note: 593315 Kit, Seal and 593268 Kit, Bearing are used on multiple transmissions and may contain extra parts not used on this installation.

Idler Shaft Gear



Item	Part No.	Qty	Description	Item	Part No.	Qty	Description
	593297		Idler Shaft Gear - Group				
1	593169	1	. 1ST Speed Shf & 3RD Driven Gear				
2	593170	1	. Gear, Output 55T				

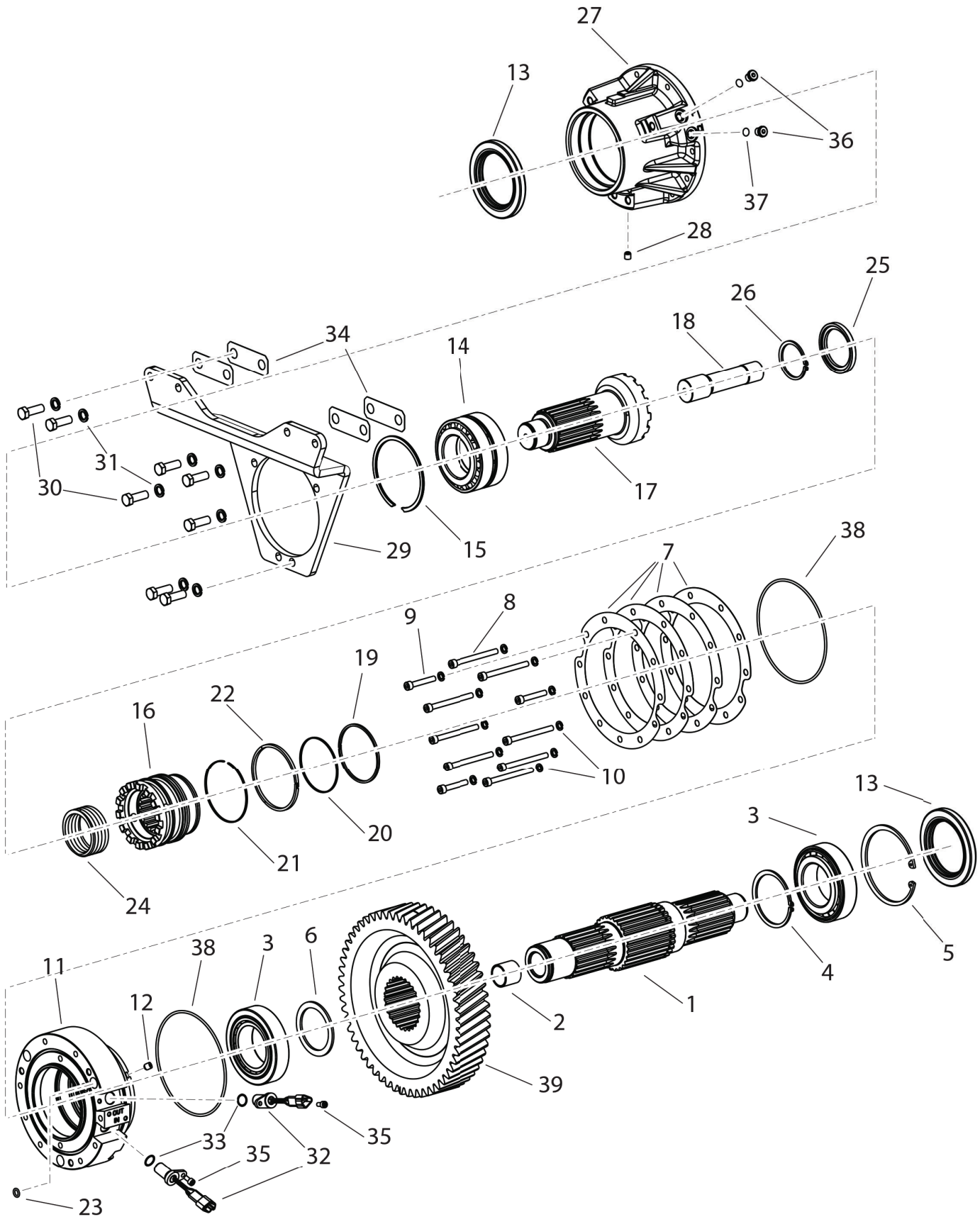
Idler Shaft



Item	Part No.	Qty	Description	Item	Part No.	Qty	Description
593298 Idler Shaft - Group							
1	593171	1	. Shaft, Idler 60T	10	593175	1	. Idler Bearing Cap & Plug, Assy
2	*b 212521	1	. Bearing, Ball	11	NSS	1	. Plug, Expansion
3	*b 593172	1	. Bearing, Idler Shaft Front	12	*a R13803621	1	. O-Ring
4	593173	1	. Oil, Retainer	13	*b 593046	1	. Ring, Snap
5	*b 593174	1	. Snap Ring	14	*b 593265	1	. Bearing, Needle
6	593045	2	. Spacer Front Bearing				
7	*a 216592	1	. O-Ring	*b Included in 593268 Kit, Bearing			
8	200574	4	. Capscrew	*a Included in 593315 Kit, Seal			
9	200605	4	. Washer, Lock, Bearing Cap Stud				

Note: 593315 Kit, Seal and 593268 Kit, Bearing are used on multiple transmissions and may contain extra parts not used on this installation.

Output Shaft

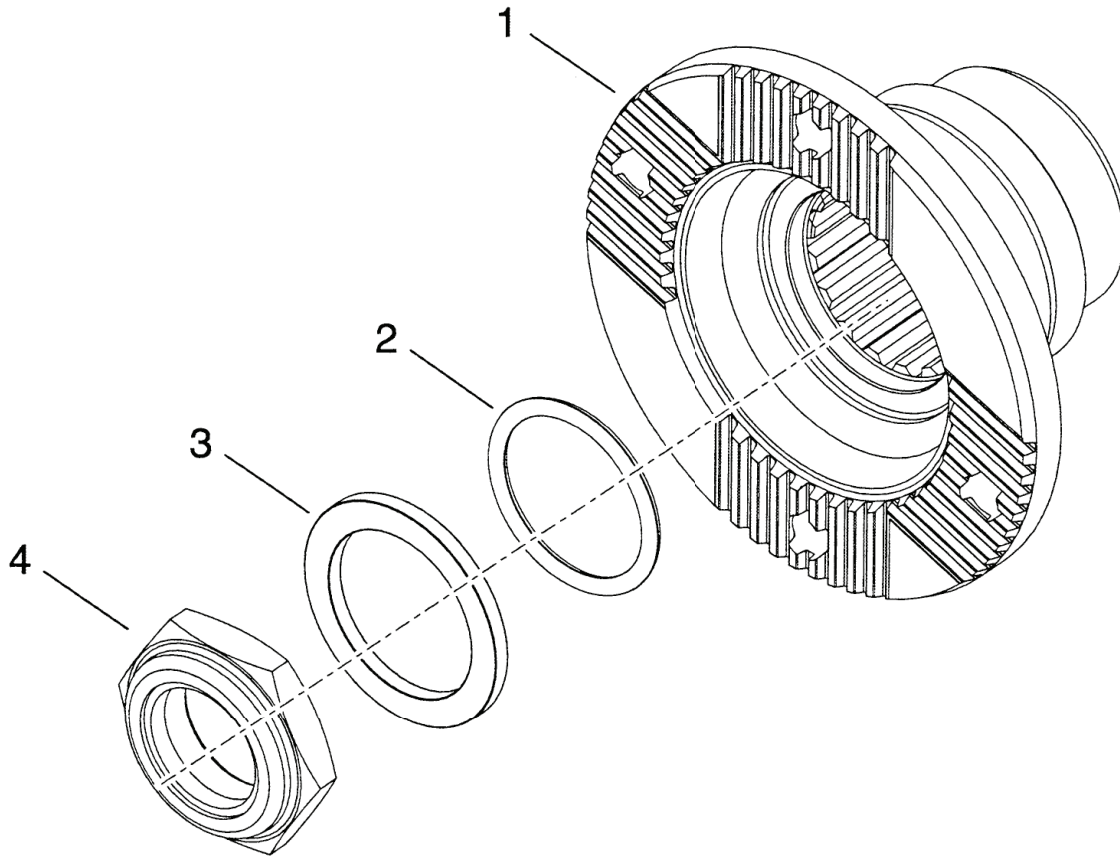


Output Shaft

Item	Part No.	Qty	Description	Item	Part No.	Qty	Description
593299 Output Shaft - Group							
1	593176	1	. Output Shaft And Bushing, Assy	21	219677	1	. Spring, Piston Ring Expander
2	212290	1	. . Bushing	22	219676	1	. Ring, Piston
3	*b 593177	2	. Bearing, Output	23	*a R13803621	1	. O-Ring
4	*b 593178	1	. Ring, Snap	24	593191	1	. Spring, Helical
5	*b 593179	1	. Snap, Ring	25	593192	1	. Washer, Spring
6	R236081	1	. Spacer, Impeller Cover Hub Brg	26	*b 593193	1	. Snap Ring
7	593180	2	. Shim, 0.10 mm	27	593194	1	. Housing Disconnect & Plugs, Assy
7A	593181	2	. Shim, 0.18 mm	28	NSS	1	. . Plug, Expansion
7B	593182	2	. Shim, 0.25 mm	29	593195	1	. Bracket, Disconnect Support
7C	593183	2	. Shim, 0.50 mm	30	593196	8	. Capscrew
8	593184	8	. Capscrew	31	593079	8	. Washer, Lock
9	593185	3	. Capscrew	32	593197	2	. Sensor, Proximity
10	593078	11	. Washer, Lock	33	*a 593419	2	. . O-Ring
11	593186	1	. Output Cap And Plug, Assy	34	593198	2	. Shim, Bracket
12	NSS	1	. . Plug, Expansion	35	593199	2	. Capscrew
13	*a 593187	2	. Seal, Oil	36	593200	2	. Plug
14	*b 240157	1	. Bearing, Conical	37	593201	2	. . O-Ring
15	*b 240156	1	. Ring, Snap	38	*a 216592	2	. O-Ring
16	593188	1	. Hub, Shift Hydraulic Disconnect	39	-----	0	Reference Only. See Page 29
17	593189	1	. Hydraulic Disconnect Shaft, Assy				
18	593190	1	. Hydraulic Disconnect Shaft				
19	222457	1	. Ring, Piston				
20	222458	1	. Spring, Piston Ring Expander				
				NSS Not Sold Separately			
				*b Included in 593268 Kit, Bearing			
				*a Included in 593315 Kit, Seal			

Note: 593315 Kit, Seal and 593268 Kit, Bearing are used on multiple transmissions and may contain extra parts not used on this installation.

Flange

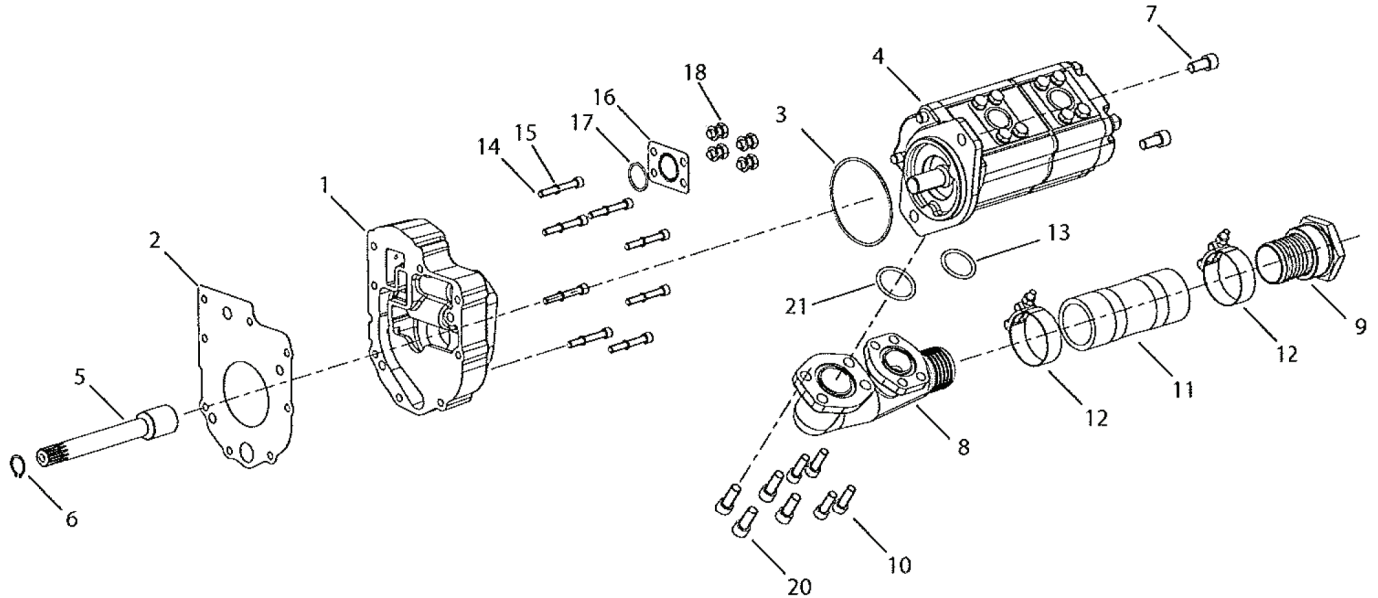


Item	Part No.	Qty	Description	Item	Part No.	Qty	Description
593302 Flange - Group							
1	593202	1	. Flange, Companion 9C				
2	*a 212310	1	. O-Ring				
3	593203	1	. Washer Flange				
4	218522	1	. Lock Nut				

*a Included in 593315 Kit, Seal

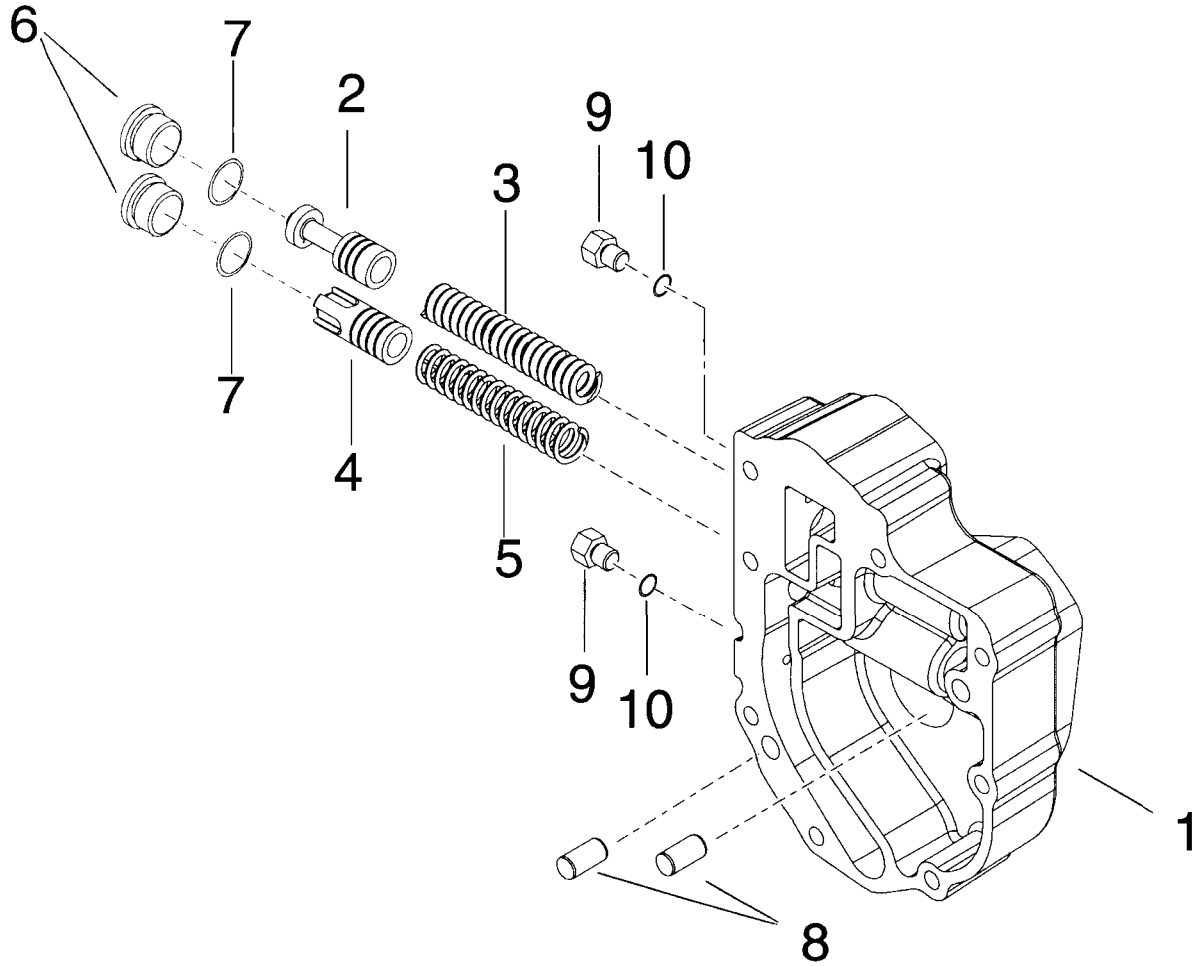
Note: 593315 Kit, Seal is used on multiple transmissions and may contain extra parts not used on this installation.

Regulator Valve For Selector Lube



Item	Part No.	Qty	Description	Item	Part No.	Qty	Description
593303				Regulator Valve For Selector - Group			
1	593204	1	. Valve Regulator, Assy	14	593218	8	. Capscrew
2	*a 593205	1	. Gasket, Valve	15	238114	8	. Washer, Lock
3	*a 593206	1	. O-Ring	16	592881	1	. Cover, Split
4	593207	1	. Pump, Charging	17	*a 592882	1	. O-Ring
5	593208	1	. Shaft, Gear	18	592883	4	. Capscrew
6	593209	1	. Snap Ring, External	20	593220	4	. Capscrew
7	593210	2	. Capscrew	21	*a 593221	1	. O-Ring
7A	593047	2	. Washer, Plain				
8	593211	1	. Suction, Adaptor				*a Included in 593315 Kit, Seal
9	593212	1	. Adaptor, Suction				Note: 593315 Kit, Seal is used on multiple transmissions and may contain extra parts not used on this installation.
10	593213	4	. Capscrew				
11	593214	1	. Hose, Suction				
12	593215	2	. Clamp, Suction				
13	*a 593216	1	. O-Ring				

Valve Regulator Assembly



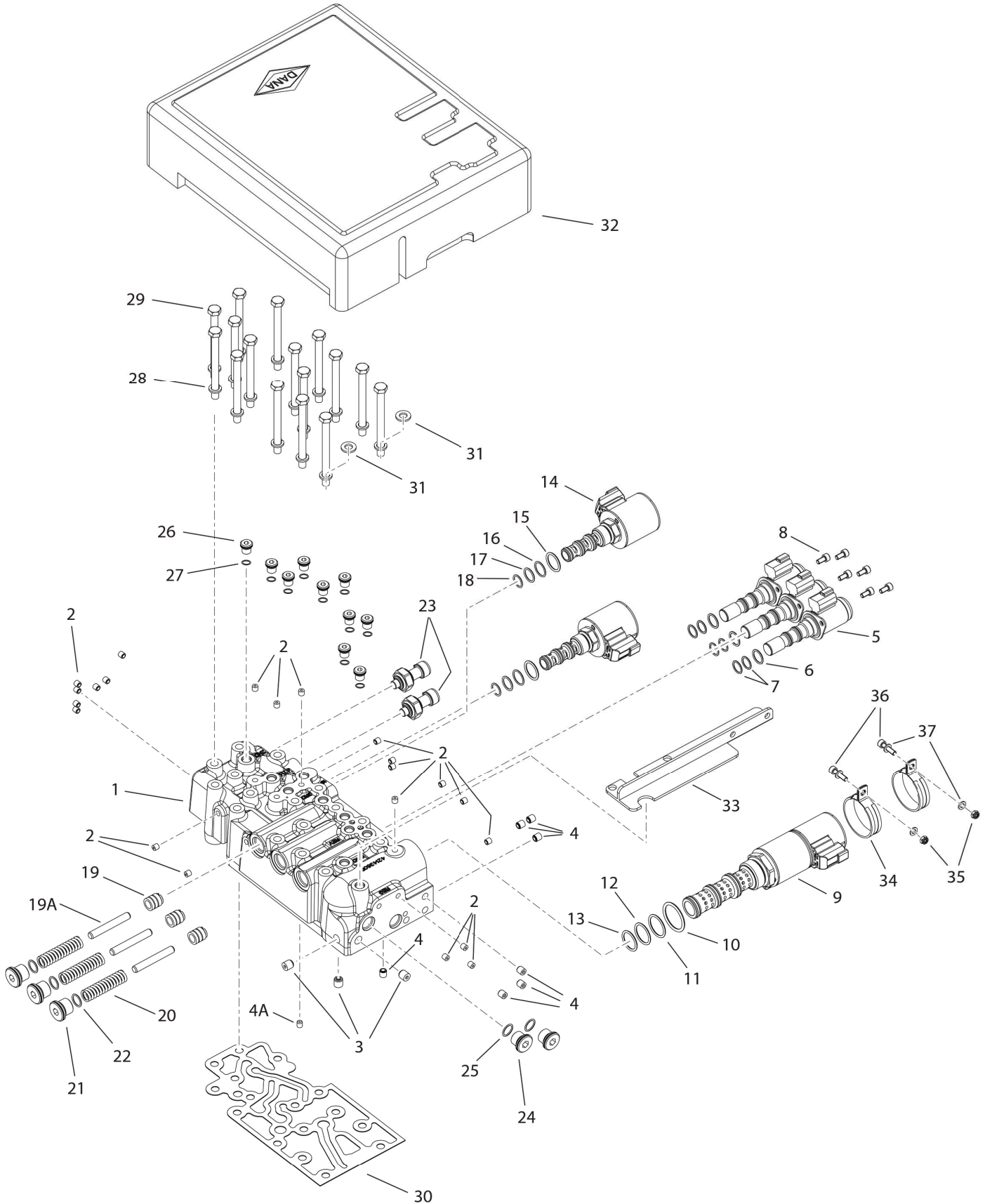
Valve Regulator Assembly

Item	Part No.	Qty	Description	Item	Part No.	Qty	Description
	593304		Valve Regulator, Assy				
1	NSS	1	. Body, Valve Regulator	8	NSS	2	. Pin, Dowel
2	NSS	1	. Spool, Pressure Regulator	9	593072	2	. Plug
3	NSS	1	. Spring, Helical	10	*a *c 593073	2	.. O-Ring
4	NSS	1	. Spool Safety				
5	NSS	1	. Spring, Helical				
6	228773	2	. Fitting, Plug	NSS	Not Sold Separately		
7	*a *c 209207	2	.. O-Ring				

*a Included in 593315 Kit, Seal
*c Included in 593267 Kit, Seal

Note: 593315 Kit, Seal is used on multiple transmissions and may contain extra parts not used on this installation.

Control Valve

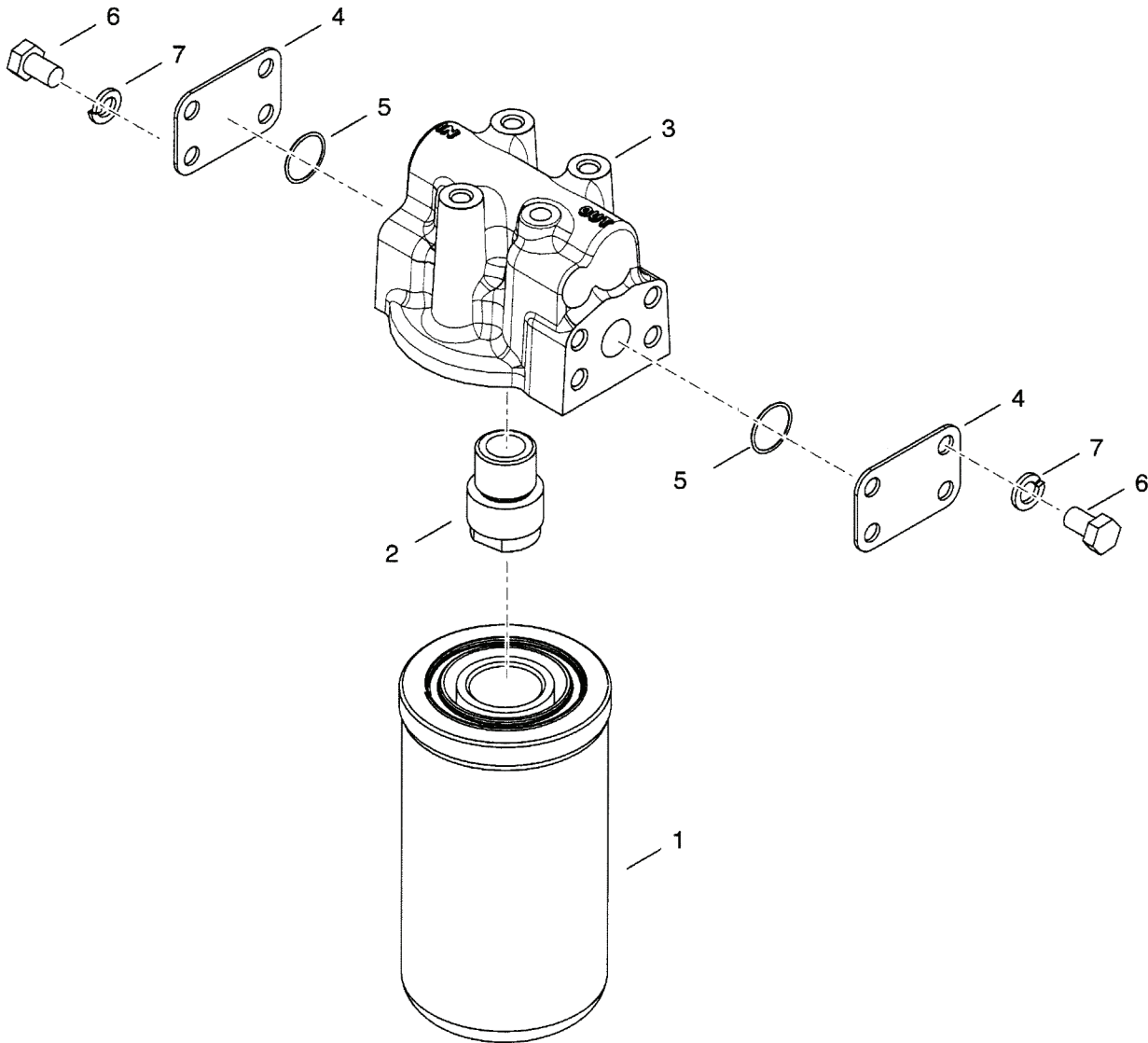


Control Valve

Item	Part No.	Qty	Description	Item	Part No.	Qty	Description
	593306		Control Valve - Group				
1	593222	1	. Full Flow Control Valve, Assy	20	593234	3	. Spring, Accumulator
1A	593223	1	.. Control Valve & Plugs, Assy	21	593235	3	. Plug
2	NSS	22	... Plug, Expansion	22	*a 593419	3	.. O-Ring
3	NSS	3	... Plug, Expansion	23	593236	2	. Sensor, Valve
4	NSS	4	... Plug, Expansion	24	593237	2	. Plug
4A	593224	1	... Plug, Orifice	25	203429	2	.. O-Ring
5	593225	3	. Solenoid, Valve	26	593072	10	. Plug
6	*a 593080	3	.. O-Ring	27	*a 209743	10	.. O-Ring
7	*a 593420	6	.. O-Ring	28	593078	16	. Washer, Lock
8	593226	6	. Capscrew	29	593238	16	. Capscrew
9	593227	1	. Solenoid, Assembly	30	*a 593239	1	. Gasket, Valve To Transmission
10	*a 593228	1	.. O-Ring	31	593240	2	. Washer, Plain
11	*a 593229	1	.. O-Ring	32	593241	1	. Cover, Valve Protection
12	*a R13805269	1	.. O-Ring	33	593242	1	. Bracket, Solenoid
13	*a 593230	1	.. O-Ring	34	593244	2	. Clamp, Solenoid
14	593231	2	. Solenoid, Assembly	35	593245	2	. Nut
15	*a 592890	2	.. O-Ring	36	593246	2	. Capscrew
16	*a 593419	2	.. O-Ring	37	593247	4	. Washer, Lock
17	*a 593420	2	.. O-Ring				
18	*a 593421	2	.. O-Ring				
19	593232	3	. Spool				
19A	593233	3	. Pin, Accumulator Stop				
				NSS	Not Sold Separately		
				*a	Included in 593315 Kit, Seal		

Note: 593315 Kit, Seal is used on multiple transmissions and may contain extra parts not used on this installation.

Remote Filter Adapter

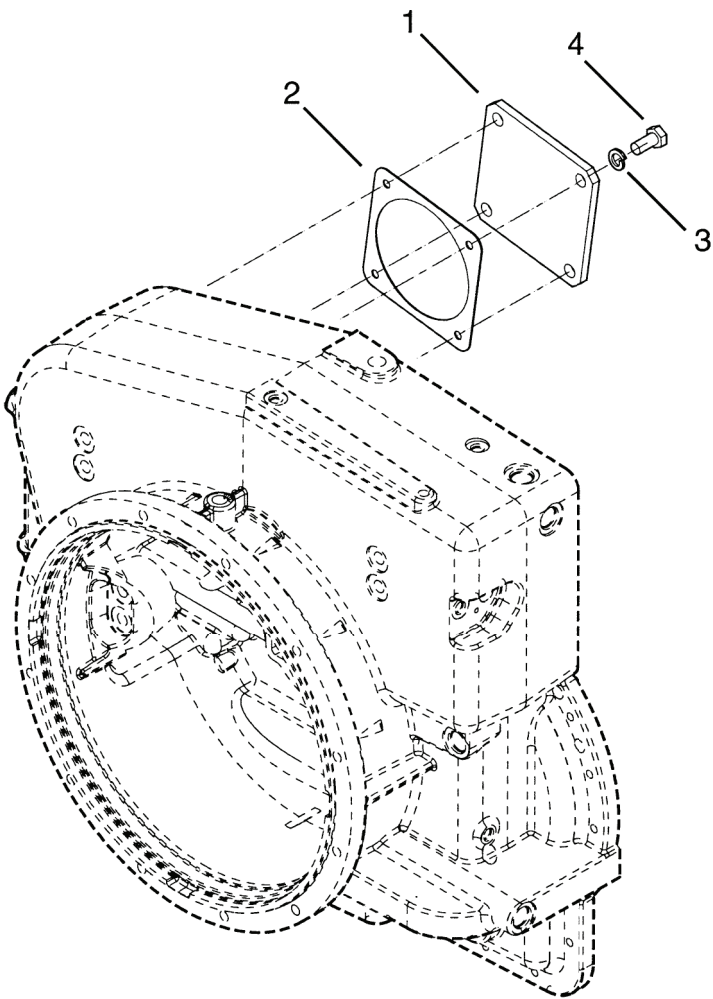


Item	Part No.	Qty	Description	Item	Part No.	Qty	Description
	593307		Remote Filter Adapter - Group				
1	593081	2	. Element, Transmission Filter	6	592883	16	. Capscrew
2	593250	2	. Adapter, Filter	7	592884	16	. Washer, Lock
3	593251	2	. Body, Remote	8	593252	2	. Remote Filter Adaptor
4	592881	4	. Cover, Split				
5	*a 592882	2	. O-Ring				

*a Included in 593315 Kit, Seal

Note: 593315 Kit, Seal is used on multiple transmissions and may contain extra parts not used on this installation.

Shipping Cover

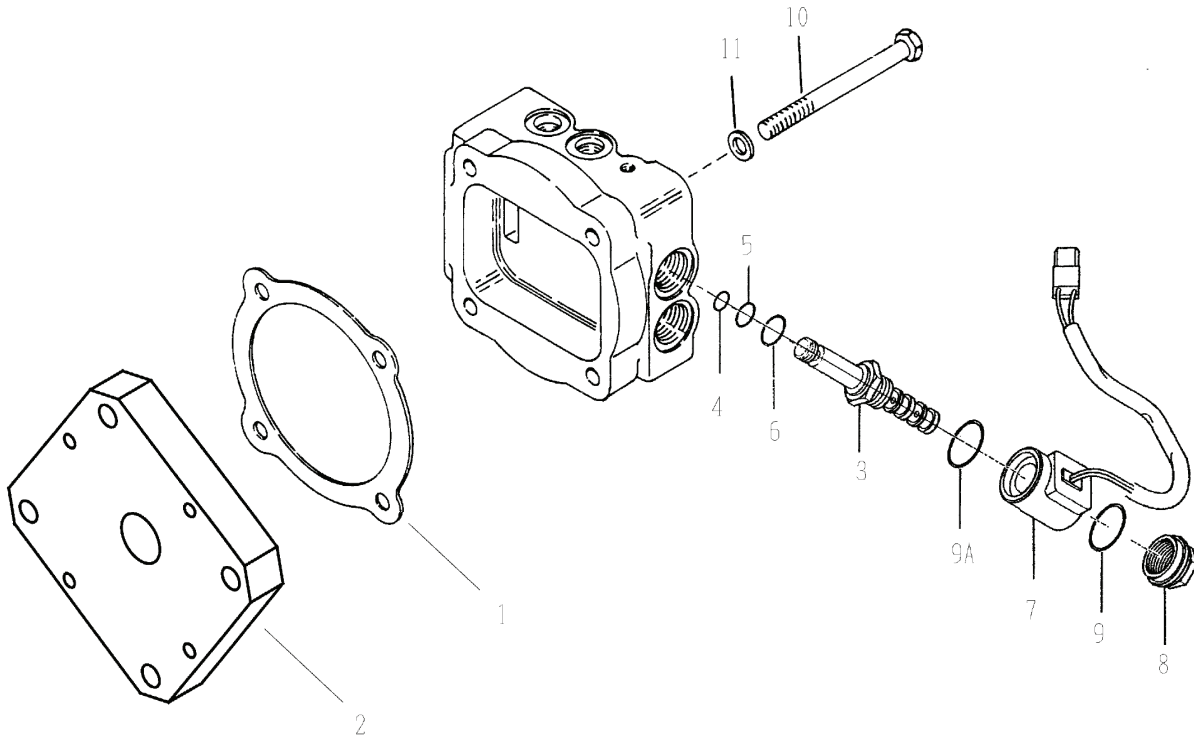


Item	Part No.	Qty	Description	Item	Part No.	Qty	Description
	593308		Shipping Cover - Group				
1	212492	1	. Cover, Shipping				
2	*a 236884	1	. Gasket, Shipping Cover				
3	593079	4	. Washer, Lock				
4	593255	4	. Capscrew				

*a Included in 593315 Kit, Seal

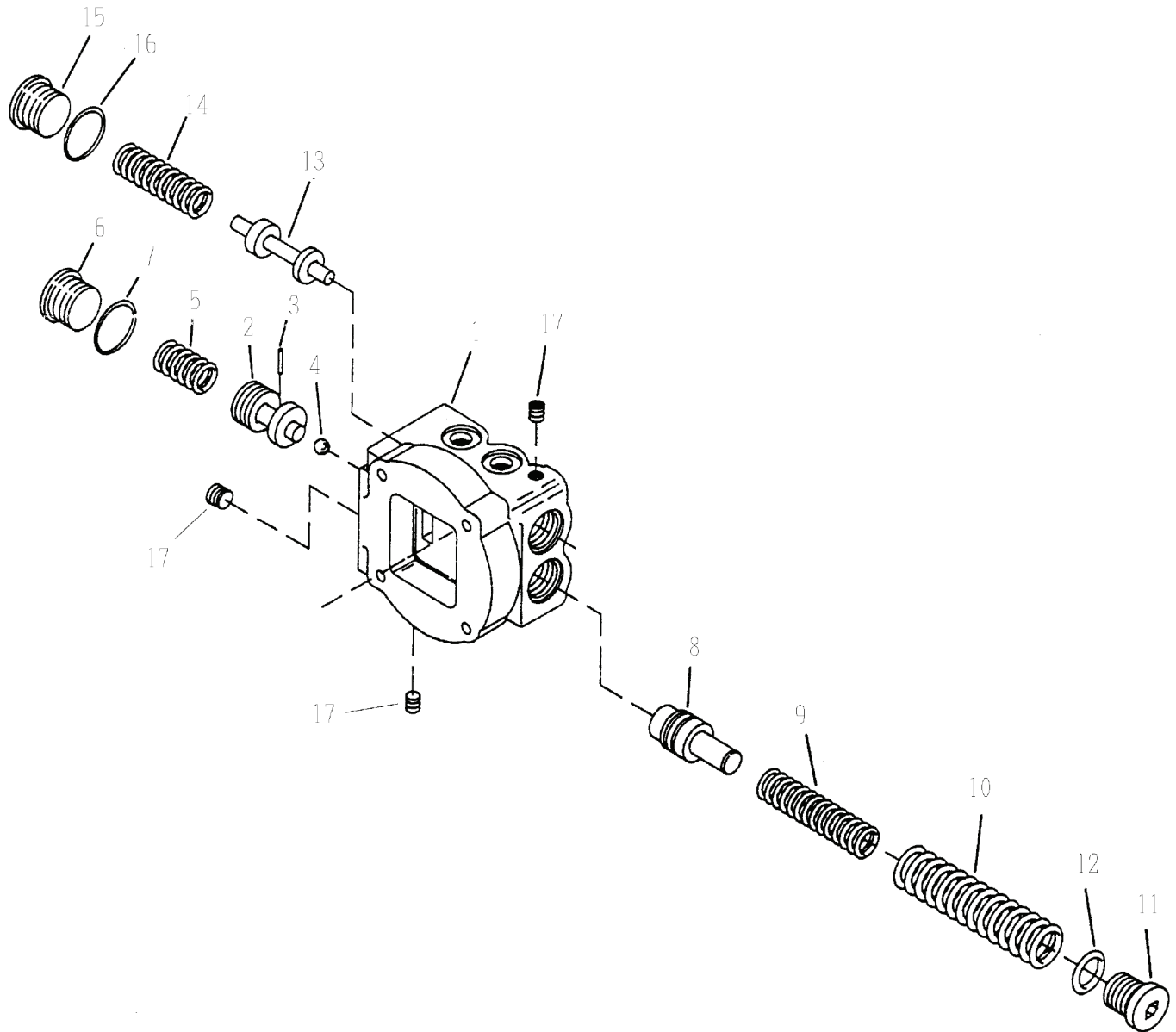
Note: 593315 Kit, Seal is used on multiple transmissions and may contain extra parts not used on this installation.

Lock-Up Modulator Valve Assembly



Item	Part No.	Qty	Description	Item	Part No.	Qty	Description
	593310		Lock-Up Modulator Valve Assy - Group				
1	242572	1	. Gasket, Low Speed Drive Brg Cap	9	*a 593080	1	. O-Ring
2	245453	1	. Plate	9A	*a 593080	1	. O-Ring
3	593259	1	. Cartridge, Ball	10	245450	4	. Capscrew
4	593260	1	.. O-Ring	11	201567	4	. Washer, Lock
5	593261	1	.. O-Ring				
6	R13804057	1	.. O-Ring				
7	593262	1	. Coil, Solenoid 24V				
8	593431	1	. Nut, Solenoid				

Lock-Up Modulator Valve Assembly



Item	Part No.	Qty	Description	Item	Part No.	Qty	Description
	593311		Lock-Up Modulator Valve Assembly				
1	593263	1	. Housing, Lockup	13	245447	1	. Spool
2	245448	1	. Regulator, Assy	14	245446	1	. Spring
3	245449	1	.. Plug, Regulator	15	228773	1	. Plug
4	593432	1	.. Ball	16	209207	1	.. O-Ring
5	228774	1	. Spring, Regulator	17	R239243	3	. Plug
6	228773	1	. Plug	18	229383	2	. Plug
7	209207	1	.. O-Ring	19	229345	1	. Valve Housing Plug
8	593264	1	. Valve				
9	R241669	1	. Spring, Accumulator				
10	R241077	1	. Spring, Accumulator				
11	228773	1	. Plug				
12	209207	1	.. O-Ring				

INTENTIONALLY BLANK