

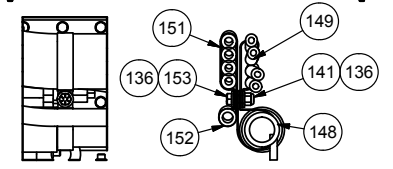
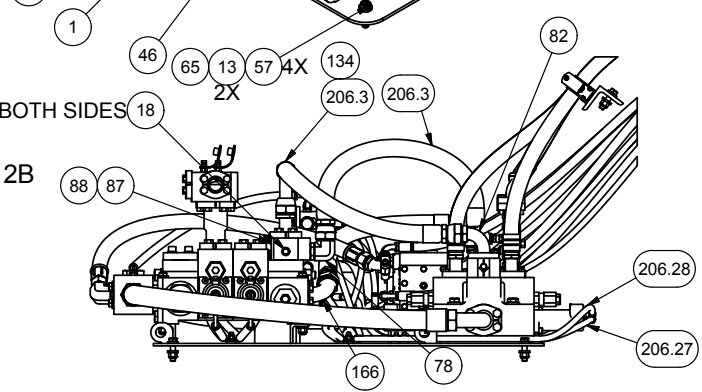
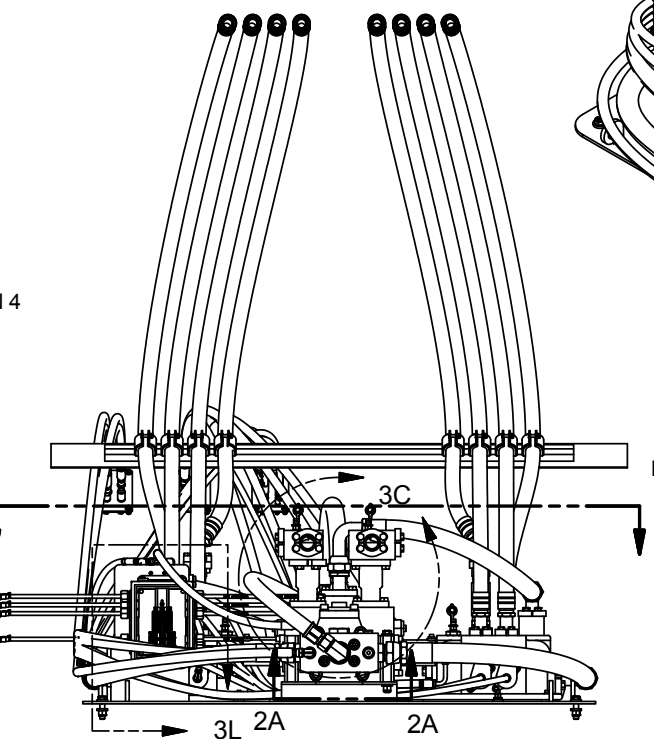
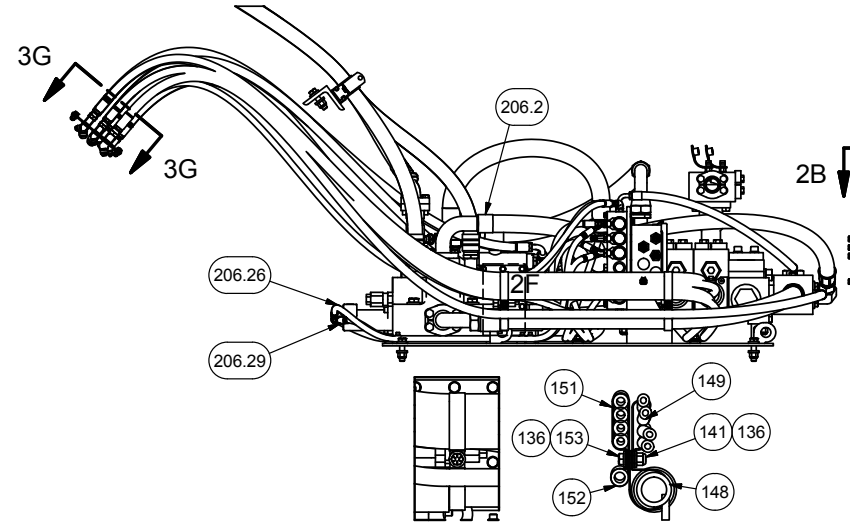
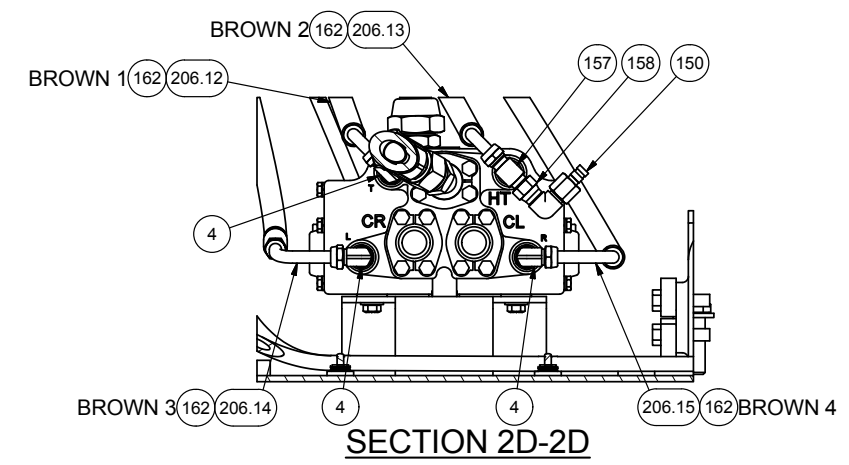
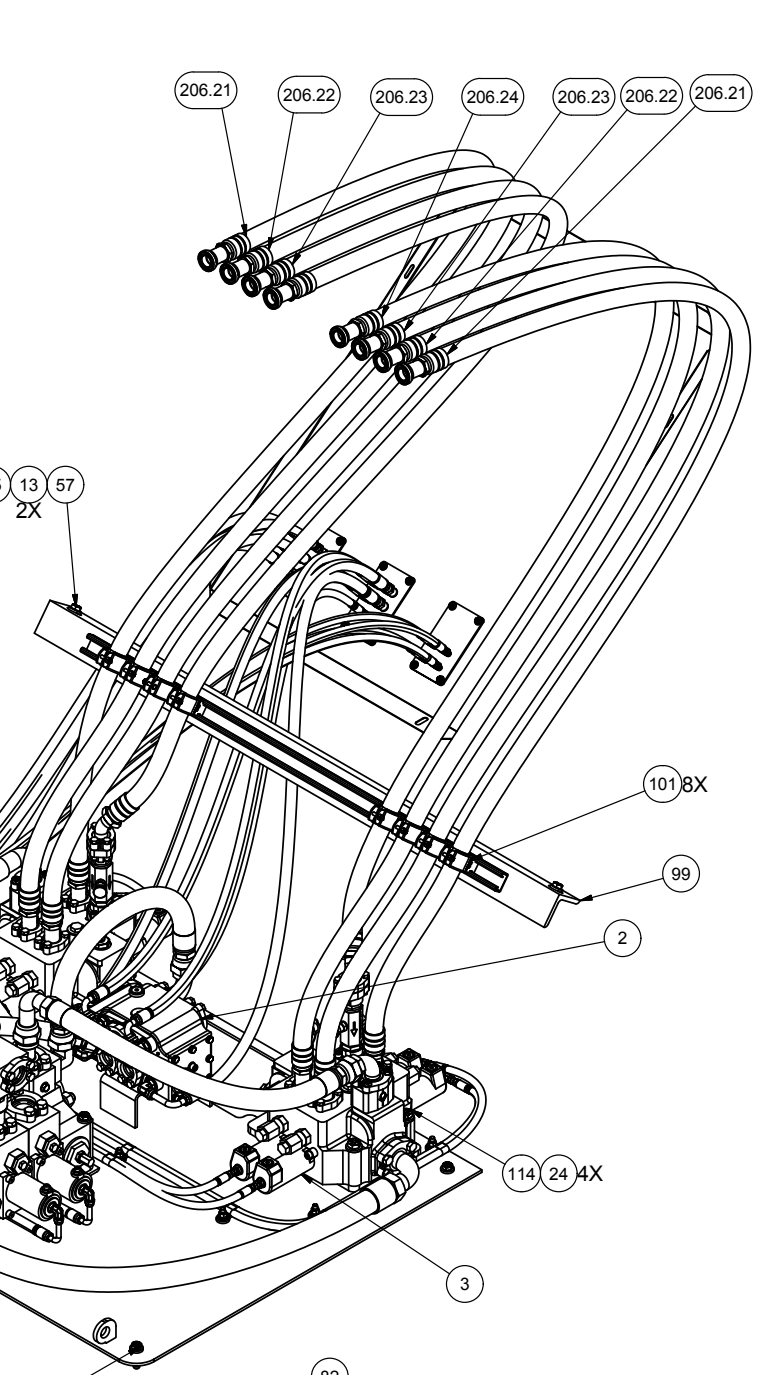
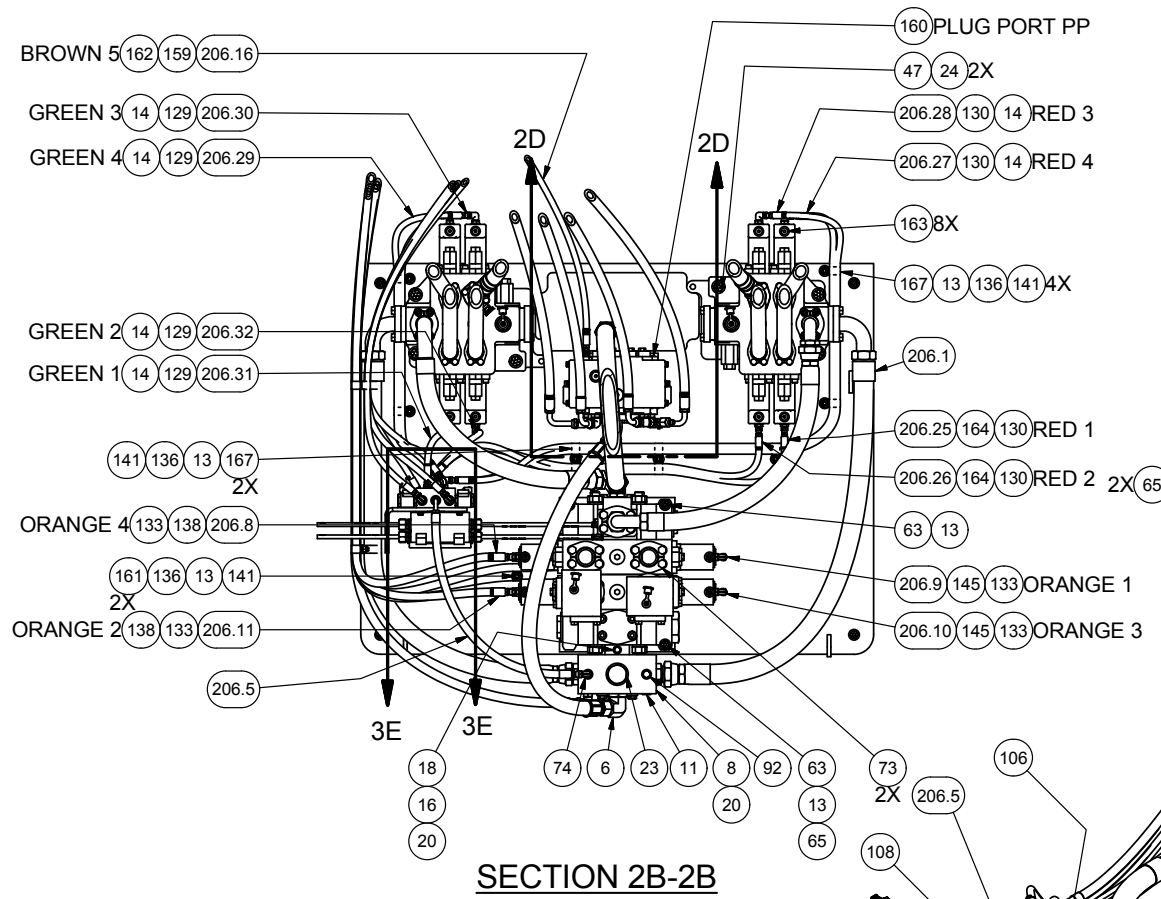
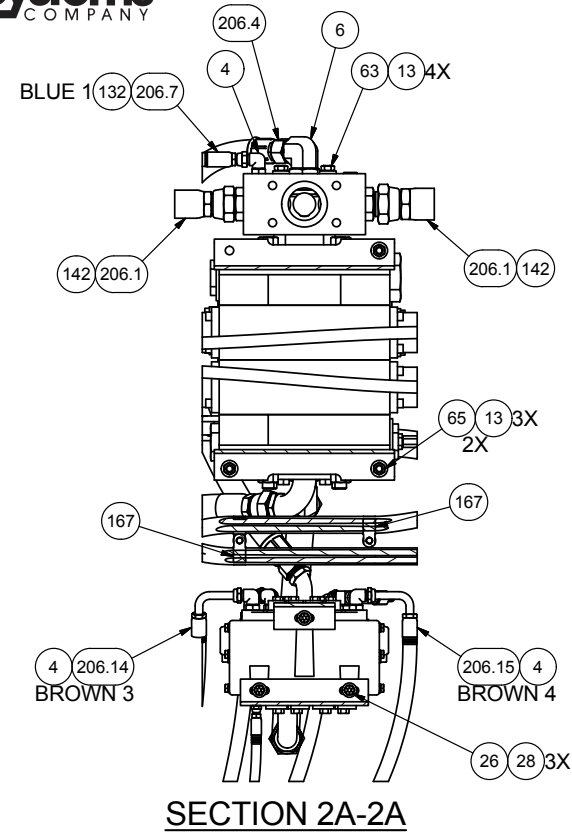
---

Valve Module

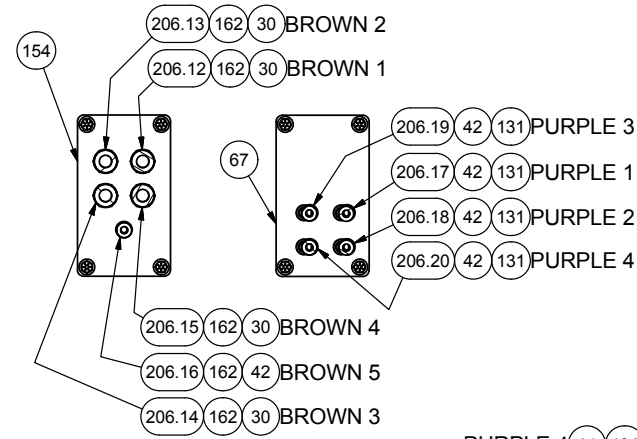
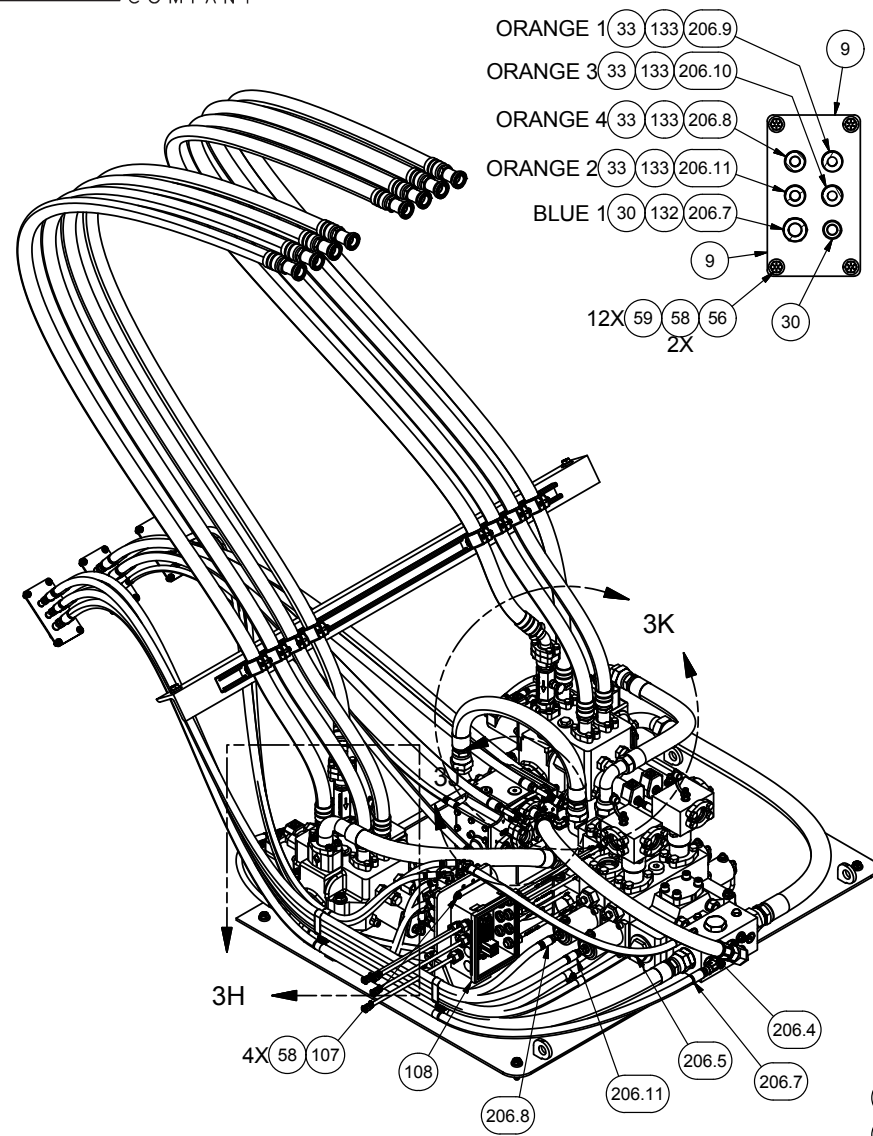
## Valve Module

Item	Part No.	Qty	Description	Item	Part No.	Qty	Description
	<b>591069</b>		<b>Valve Module</b>				
1	* 250637	1	. Valve, Hoist & Tilt	136	221767W	12	. Hard Washer
2	* 234990	1	. Valve, Flow Amplifier	138	590884	2	. Fitting
3	* 587576	2	. Valve, Hold Down/Kick Off	139	225109	2	. Fitting
4	209488	4	. Fitting	140	R14040	4	. Coupler, Male
6	223783	1	. Fitting	141	R13811191	10	. Locknut
8	580018	1	. Manifold	142	209619	2	. Fitting
9	579836	1	. Plate, Mounting	143	522589	2	. Manifold
11	229345	1	. Fitting	144	522604	2	. Fitting
12	220427	2	. Fitting	145	248284	2	. Fitting
13	221771W	30	. Washer	146	19103	1	. Fitting
14	223784	12	. Fitting	147	12721	2	. Kit, Split Flange
15	251373	2	. Fitting		203519	1	.. O-Ring
16	580019	1	. Plate, Flange	148	R13808116	2	. Clip, Insul
18	209423	3	. Fitting	149	R13805003	1	. Clip, Insul
20	203519	2	. O-Ring	150	253326	1	. Coupler, Male
23	209139	1	. Fitting	151	209700	2	. Clamp
24	R13811435	6	. Hard Washer	152	R13803047	2	. Clip, Insul
26	R13811054	3	. Capscrew	153	221497W	2	. Capscrew
28	R13811432	3	. Hard Washer	154	587669	1	. Plate, Mounting
30	059-0042	6	. Fitting	157	211551	1	. Fitting
33	R14398	4	. Fitting	158	210769	1	. Fitting
42	16463W	5	. Fitting	159	209083	1	. Fitting
46	589738	1	. Valve Plate	160	235387	1	. Fitting
47	221630W	2	. Capscrew	161	R13803044	2	. Clip, Insul
49	11759	11	. Kit, Split Flange	162	242594	30	. Cable Tie
	203443	1	.. O-Ring	163	229383	0	. Fitting
56	224120W	12	. Capscrew	164	223929	3	. Fitting
57	R13811077	6	. Capscrew	165	236825	5	. Fitting
58	221763W	28	. Washer	166	14274	1	. Fitting
59	R13811189	12	. Locknut	167	209696	9	. Clamp
63	R13811089	7	. Capscrew	206	591095	1	. Kit, Hose
65	R13811193	9	. Locknut	206.1	230757	2	..Hose Assembly
66	245846	2	. Check Valve	206.2	589452	1	..Hose Assembly
67	588445	1	. Plate, Mounting	206.3	240720	1	..Hose Assembly
70	11740	6	. Kit, Split Flange	206.4	591330	1	..Hose Assembly
	203446	1	.. O-Ring	206.5	591324	1	..Hose Assembly
71	Y73G-0620	8	. Capscrew	206.6	253713	1	..Hose Assembly
73	11767	10	. Kit, Split Flange	206.7	255439	1	..Hose Assembly
	203516	1	.. O-Ring	206.8	591567	1	..Hose Assembly
74	R13801972	1	. Fitting	206.9	591568	1	..Hose Assembly
78	221140	1	. Fitting	206.10	591568	1	..Hose Assembly
82	224780	2	. Fitting	206.11	591567	1	..Hose Assembly
87	527371	1	. Manifold	206.12	245997	1	..Hose Assembly
88	203516	1	. O-Ring	206.13	591569	1	..Hose Assembly
92	212762	1	. Fitting	206.14	R12579838	1	..Hose Assembly
99	570442	1	. Clamp	206.15	591570	1	..Hose Assembly
100	203446	2	. O-Ring	206.16	229554	1	..Hose Assembly
101	231248	8	. Clamp	206.17	227475	1	..Hose Assembly
102	243421	8	. Capscrew	206.18	227475	1	..Hose Assembly
103	227384	4	. Fitting	206.19	233136	1	..Hose Assembly
106	* 586605	1	. Manifold Assembly	206.20	233136	1	..Hose Assembly
107	R13810989	4	. Capscrew	206.21	591571	2	..Hose Assembly
108	* 590979	1	. Junction Box Assembly	206.22	591571	2	..Hose Assembly
109	R13811020	3	. Capscrew	206.23	591571	2	..Hose Assembly
110	R13802914	3	. Hard Washer	206.24	591572	2	..Hose Assembly
113	211560	1	. Fitting	206.25	227473	1	..Hose Assembly
114	R13801876	4	. Capscrew	206.26	238226	1	..Hose Assembly
124	203443	2	. O-Ring	206.27	589547	1	..Hose Assembly
125	21199	2	. Flow Control Valve	206.28	233059	1	..Hose Assembly
128	209536	4	. Clamp Half	206.29	591326	1	..Hose Assembly
129	242598	20	. Cable Tie	206.30	238226	1	..Hose Assembly
130	242595	20	. Cable Tie	206.31	225084	1	..Hose Assembly
131	242600	20	. Cable Tie	206.32	233834	1	..Hose Assembly
132	242599	2	. Cable Tie				
133	242596	20	. Cable Tie				
134	14248	1	. Fitting				

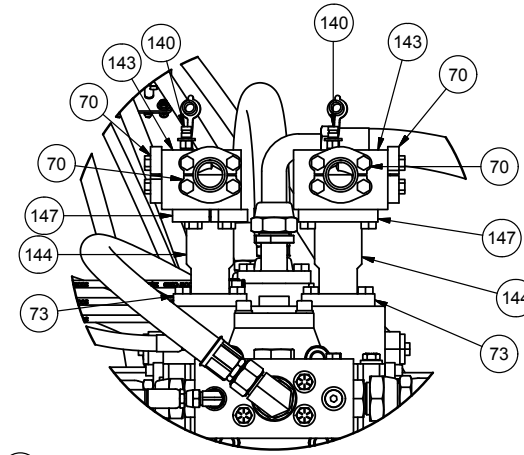
\* See Separate Coverage



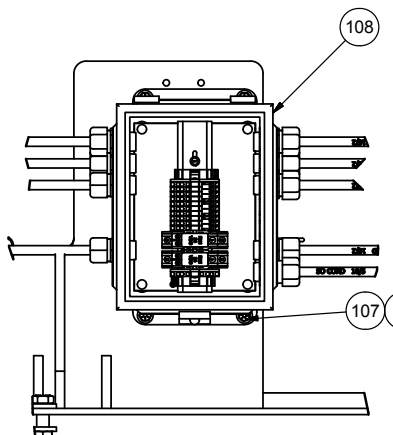
FLATTEN CLAMPS AS SHOWN



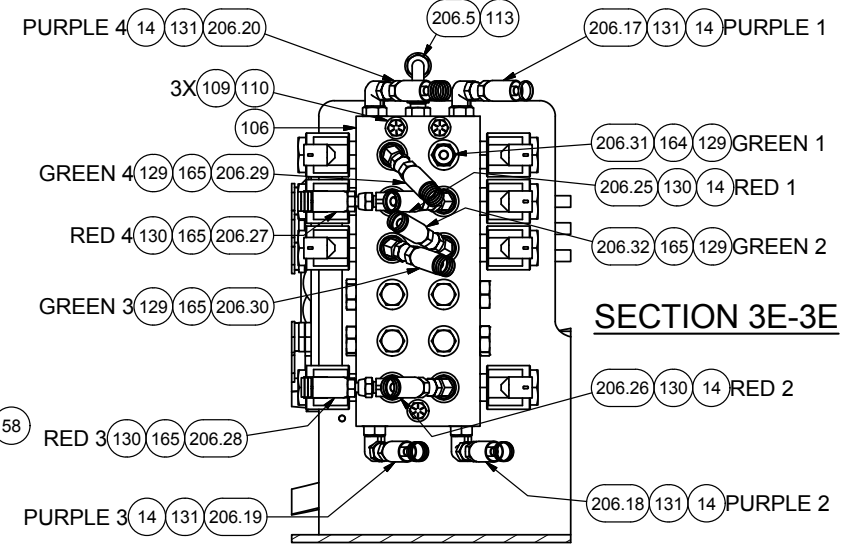
**SECTION 3G-3G**



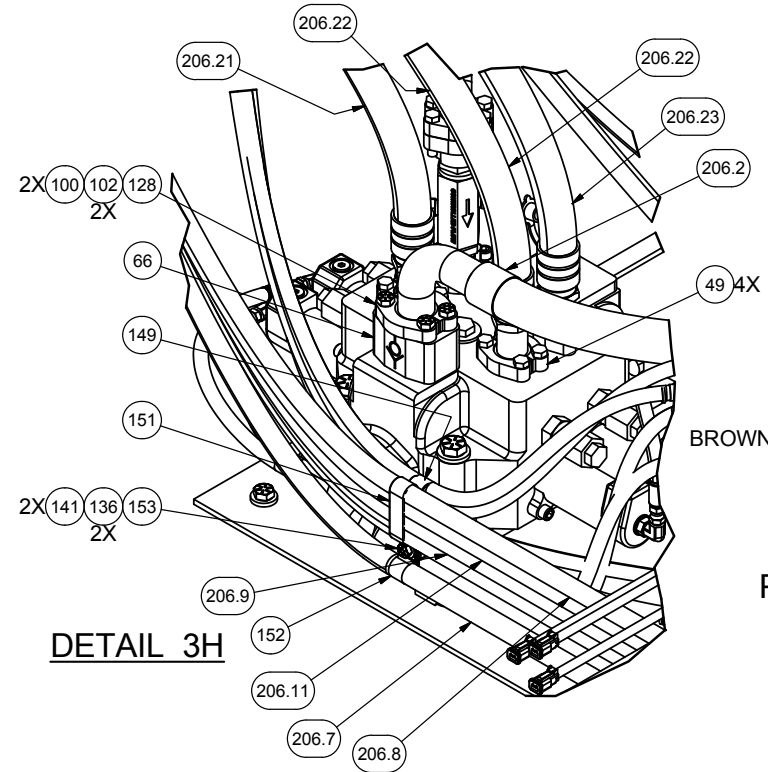
**DETAIL 3C**



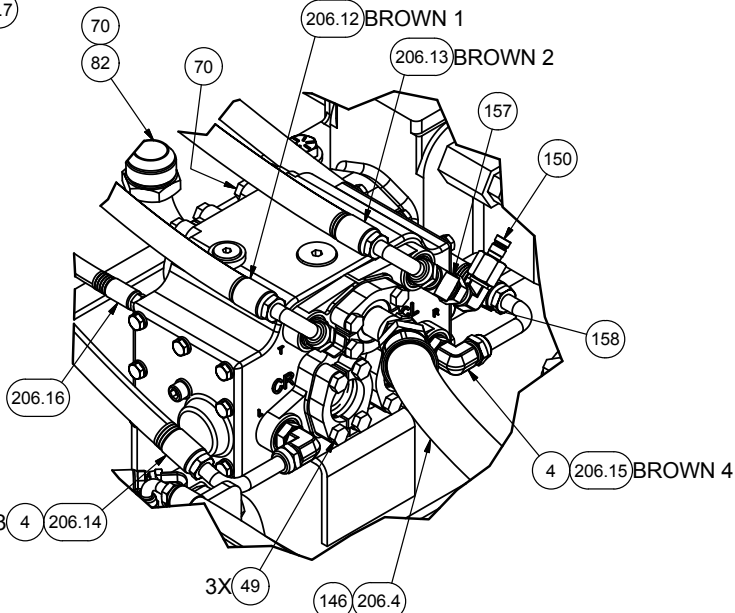
**DETAIL 3L**



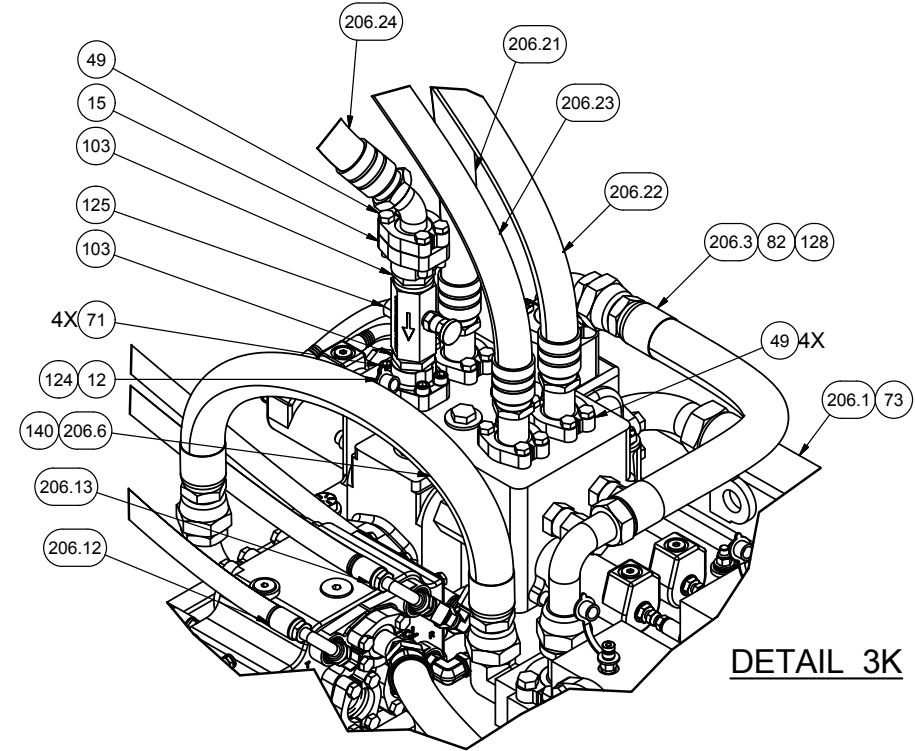
**SECTION 3E-3E**



**DETAIL 3H**



**DETAIL 3J  
PARTS REMOVED FOR CLARITY**



**DETAIL 3K**