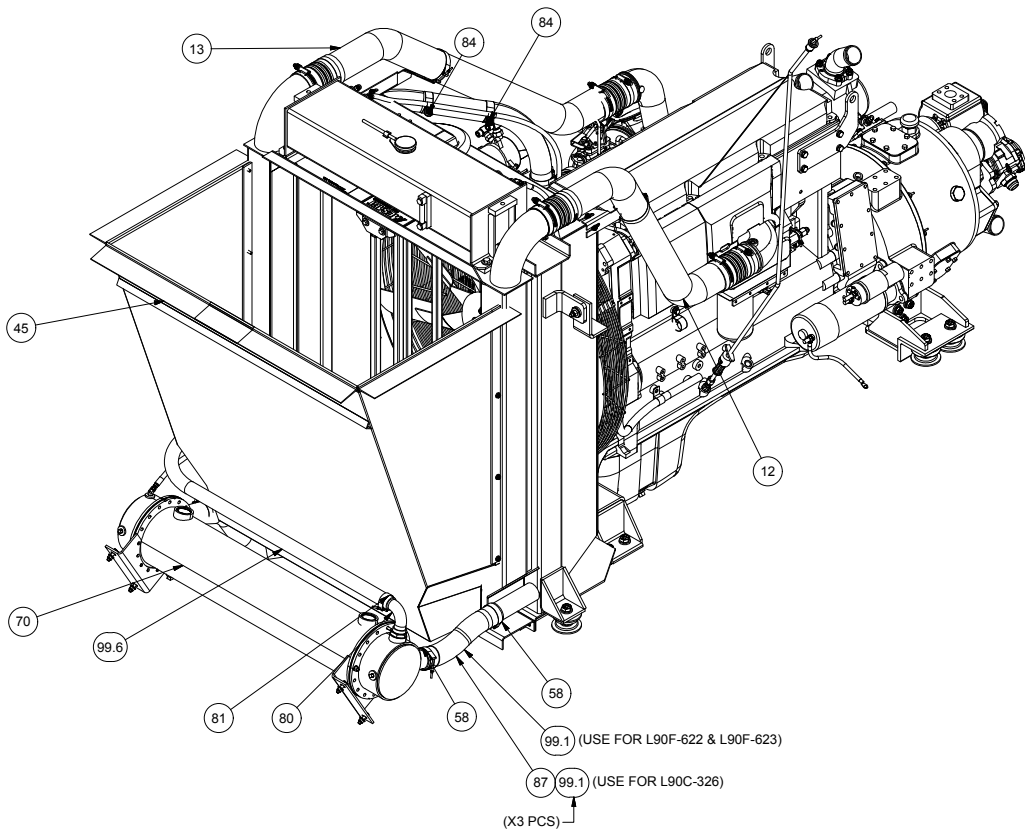
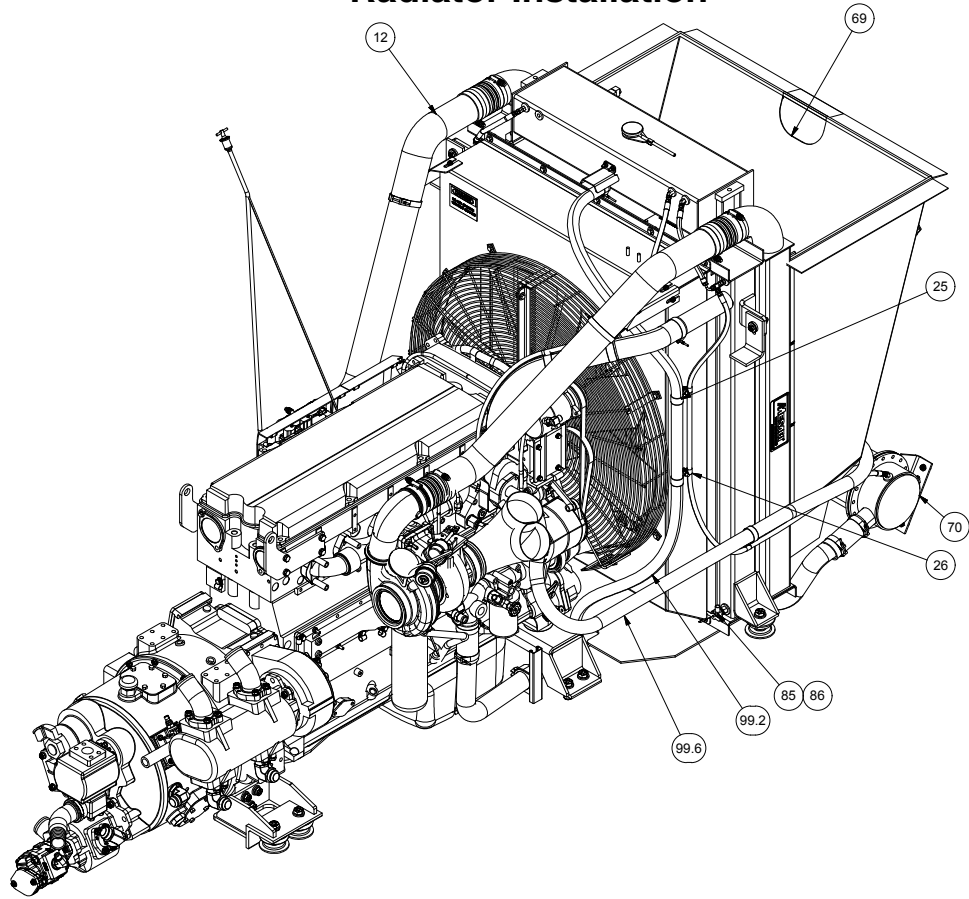

Radiator Installation

Radiator Installation

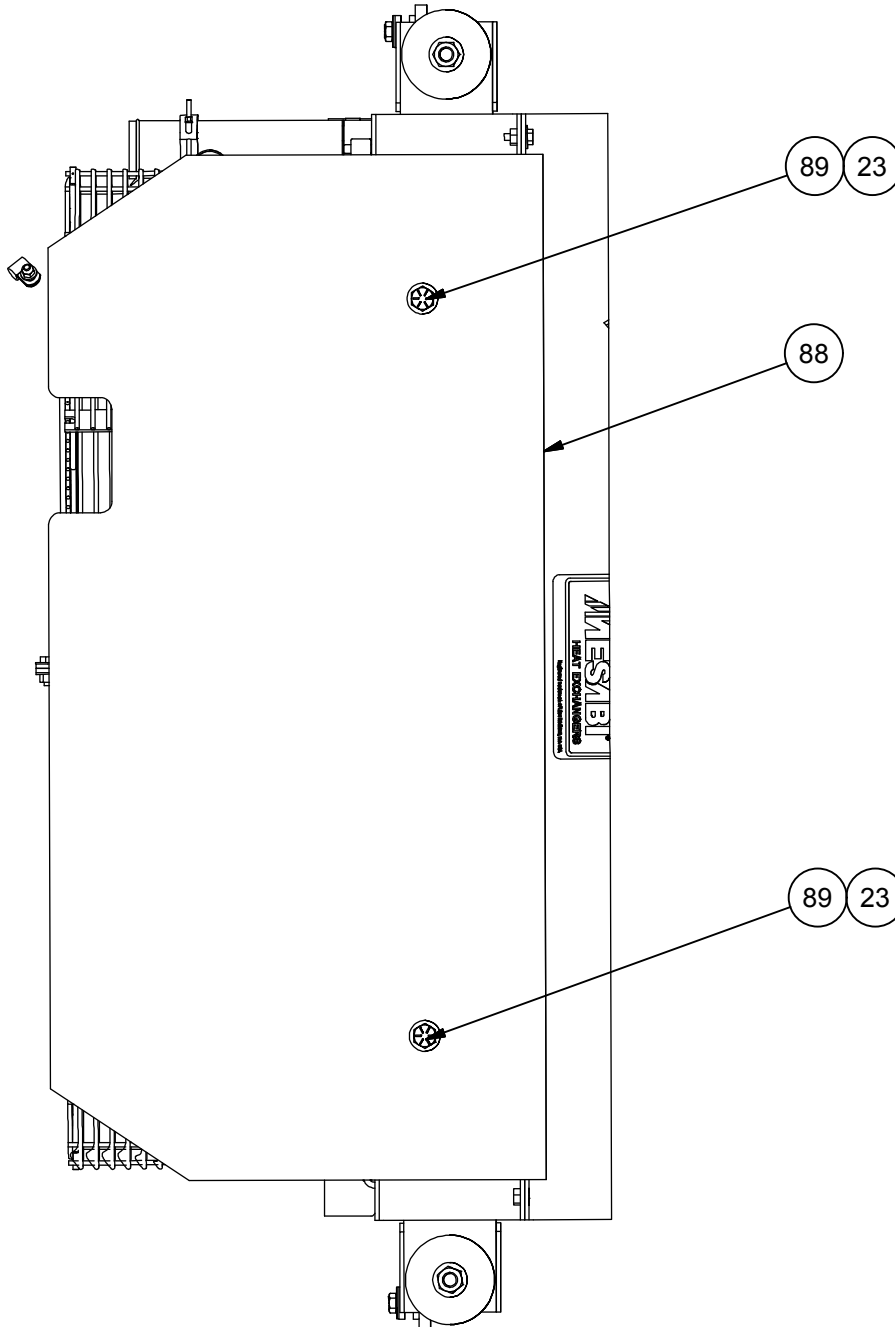
| Item | Part No. | Qty | Description | Item | Part No. | Qty | Description |
|------|---------------|-----|------------------------------|------|-----------|-----|------------------------|
| | 590991 | | Radiator Installation | | | | |
| 1 | * 588648 | 1 | . Radiator/Cac | 45 | 252047 | 9' | . Trim, Flap Seal |
| 3 | 209752 | 2 | . Fitting | 48 | 582841 | 1 | . Plate, Guard |
| 4 | 244051 | 1 | . Clamp | 49 | R13811189 | 2 | . Locknut |
| 5 | 246916 | 1 | . Sensor, Coolant Level | 50 | 221763W | 2 | . Washer |
| 6 | 216494 | 2 | . T-Bolt Clamp | 51 | R1936499 | 2 | . Stud, Weld |
| 7 | 243488 | 4 | . Connector | 52 | 591214 | 1 | . Tube, Alum |
| 8 | 588657 | 1 | . Bracket | 53 | 588666 | 1 | . Tube |
| 9 | 588658 | 1 | . Bracket | 57 | R13809931 | 2 | . T-Bolt Clamp |
| 10 | 222906 | 4 | . Insert | 58 | 225369 | 12 | . T-Bolt Clamp |
| 12 | 590761 | 1 | . Tube, Air | 62 | 209501 | 1 | . Fitting |
| 13 | 590760 | 1 | . Tube, Cac | 64 | 17059W | 1 | . Fitting |
| 14 | 224222 | 2 | . Vibration Dampener | 65 | 209791 | 3 | . Fitting |
| 15 | 221767W | 11 | . Hard Washer | 68 | Y17C-0624 | 4 | . Capscrew |
| 18 | 221664W | 2 | . Capscrew | 69 | 591156 | 1 | . Air Scoop |
| 19 | 221777W | 4 | . Washer | 70 | * 249984 | 1 | . Cooler, Transmission |
| 20 | R13811196 | 2 | . Locknut | 79 | 209406 | 1 | . Fitting |
| 23 | 221775W | 2 | . Washer | 80 | R573585 | 1 | . Fitting |
| 24 | 578361 | 4 | . Flat Washer | 81 | 232869 | 2 | . T-Bolt Clamp |
| 25 | 209700 | 2 | . Clamp | 82 | R13808116 | 1 | . Clip |
| 26 | R13803039 | 5 | . Clip, Insul | 84 | 209705 | 2 | . Clamp |
| 27 | R13811014 | 14 | . Capscrew | 85 | 590483 | 1 | . Draincock, Bib |
| 28 | R13802914 | 16 | . Hard Washer | 86 | 209504 | 1 | . Fitting |
| 29 | R13811190 | 2 | . Locknut | 88 | 586222 | 1 | . Plate, Dust Baffle |
| 35 | 587693 | 2 | . Angle | 89 | R13032 | 2 | . Capscrew |
| 36 | R1929619 | 6 | . Washer | 99 | 593646 | 1 | . Kit, Hose |
| 37 | 243489 | 8 | . Clamp | 99.1 | 211791 | 6' | .. Hose Assembly |
| 38 | 239519 | 4 | . Flat Washer | 99.2 | 225829 | 8' | .. Hose Assembly |
| 39 | R13811193 | 2 | . Locknut | 99.3 | 587413 | 1 | .. Hose Assembly |
| 40 | R13811080 | 2 | . Capscrew | 99.4 | 592481 | 2 | .. Hose Assembly |
| 41 | R13811191 | 7 | . Locknut | 99.5 | 589421 | 1 | .. Hose Assembly |
| | | | | 99.6 | 224766 | 11' | .. Hose Assembly |

*a See Separate Coverage

Radiator Installation



Radiator Installation



SECTION 3G-3G

