

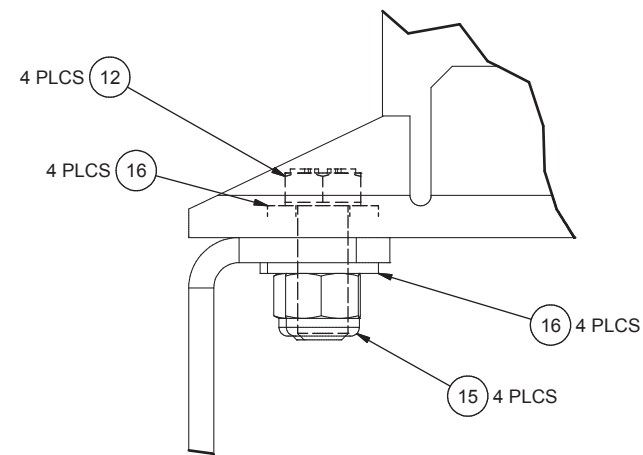
---

Seat Assembly

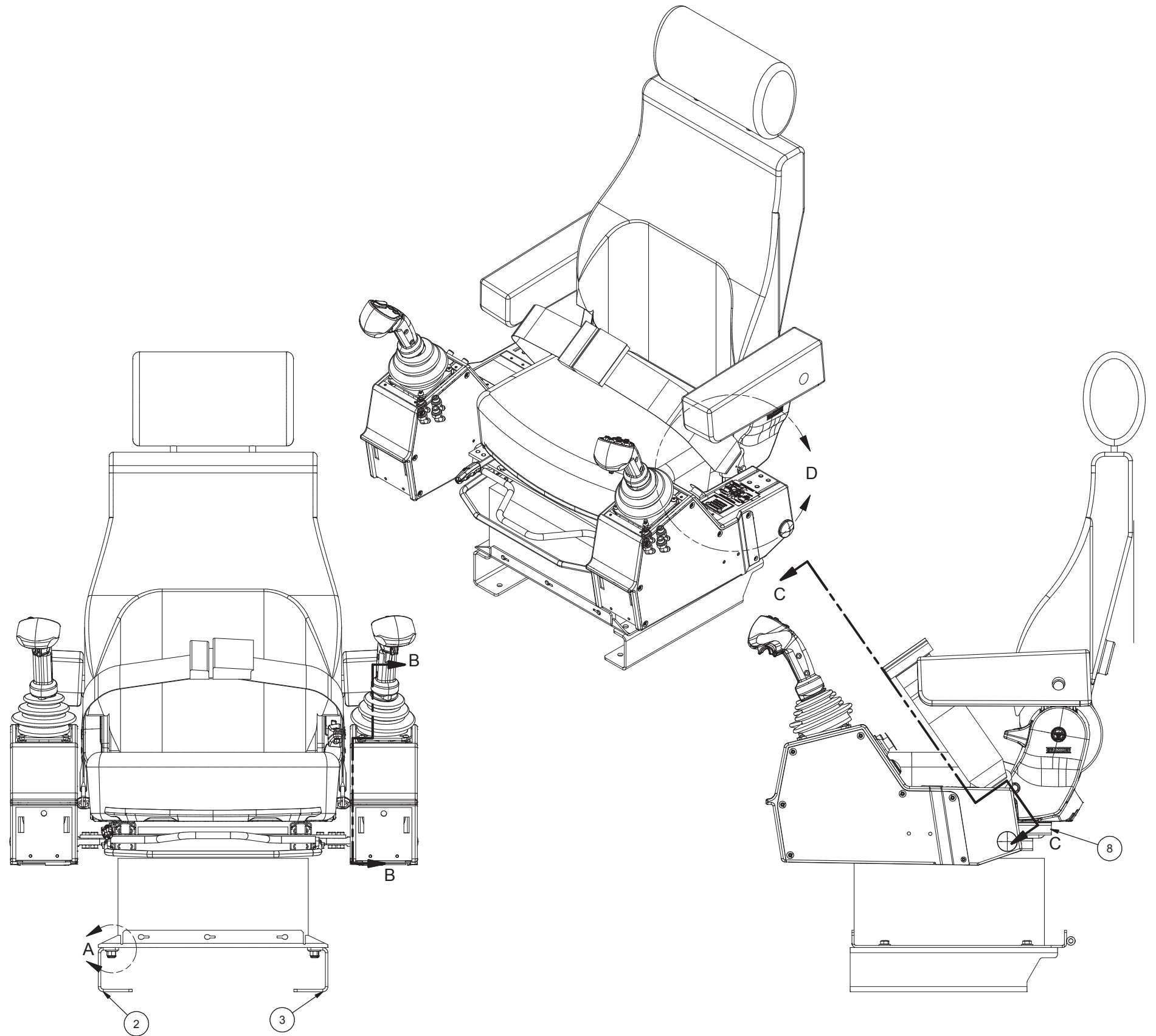
## Seat Assembly

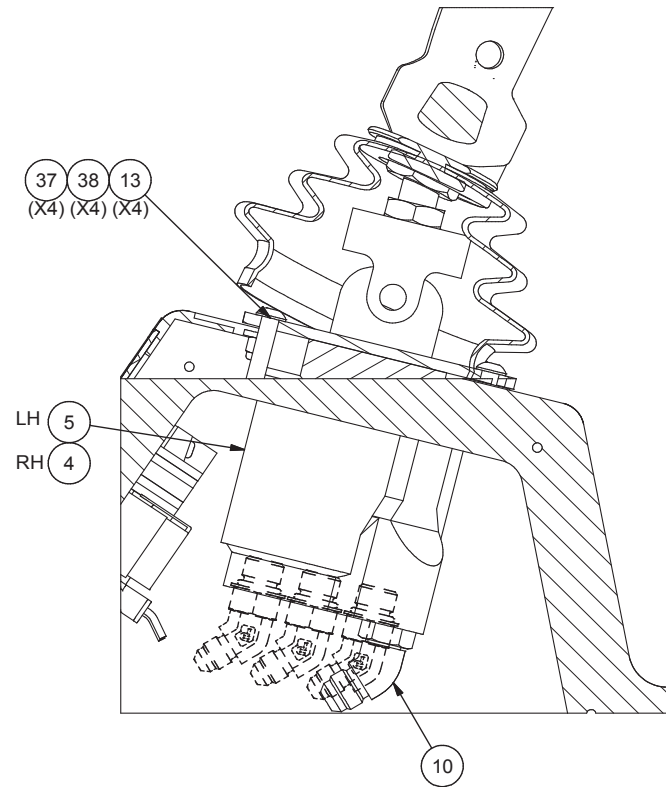
Item	Part No.	Qty	Description	Item	Part No.	Qty	Description
	<b>590982</b>		<b>Seat Assembly</b>				
1	* 593423	1	. Seat	23	236488	1	. Switch, On/Off/On
2	586709	1	. Plate, RH Mounting	24	580119	1	. Decal
3	586710	1	. Plate, LH Mounting	25	578530	1	. Decal
4	* 589378	1	. . Joystick Assembly, 5-Button	26	576690	1	. Decal
5	* 590981	1	. . Joystick Assembly, 4-Button	27	236504	2	. Lens, Green
8	588899	1	. Wire Harness, Seat	28	243472	1	. Symbol, Switch
10	209482	4	. Fitting	29	237495	1	. Symbol, Out-Of-Gear
11	236825	8	. Fitting	30	589219	1	. Decal, Joystick
12	Y17C-0616	4	. Capscrew	31	215096	1	. Belt, Safety
13	Y25G-0416	8	. Capscrew	32	589080	1	. Hardware
15	R13811191	4	. Locknut	34	587017	2	. Plug, Blanking
16	221767W	8	. Hard Washer	35	589220	1	. Decal
17	225649	1	. Light, Reducer Panel	36	578966	1	. Decal
18	234264	1	. Control Unit	37	221763W	8	. Washer
19	589081	1	. Decal	38	R13811189	8	. Locknut
20	589082	1	. Decal	39	234737	4	. Housing, Socket
21	234740	1	. Frame, Mounting	40	234738	4	. Housing, Socket
22	234736	3	. Switch, 24V	41	207465	2	. Button, Push
	234508	1	. . Socket	42	537247	1	. Nameplate; Right Brake
	236901	1	. . Bulb	43	537246	1	. Nameplate; Left Brake

\* See Separate Coverage  
NA Not Applicable

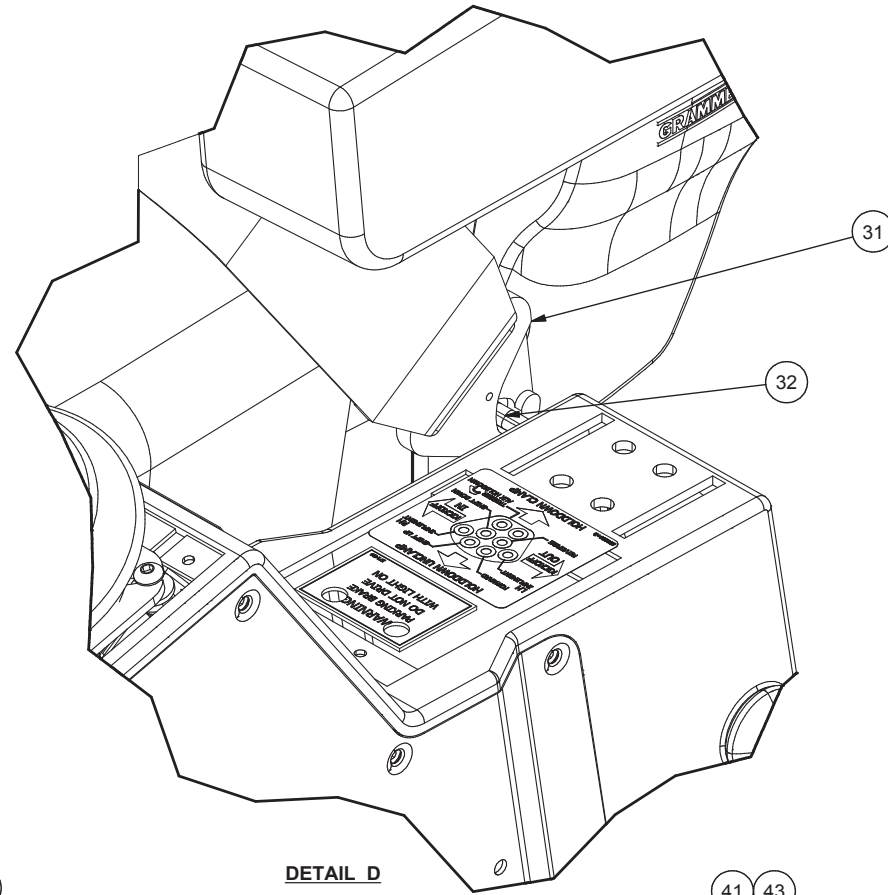


DETAIL A

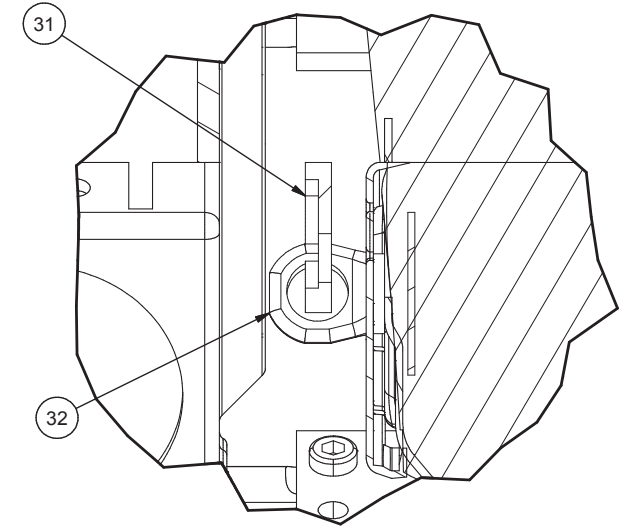




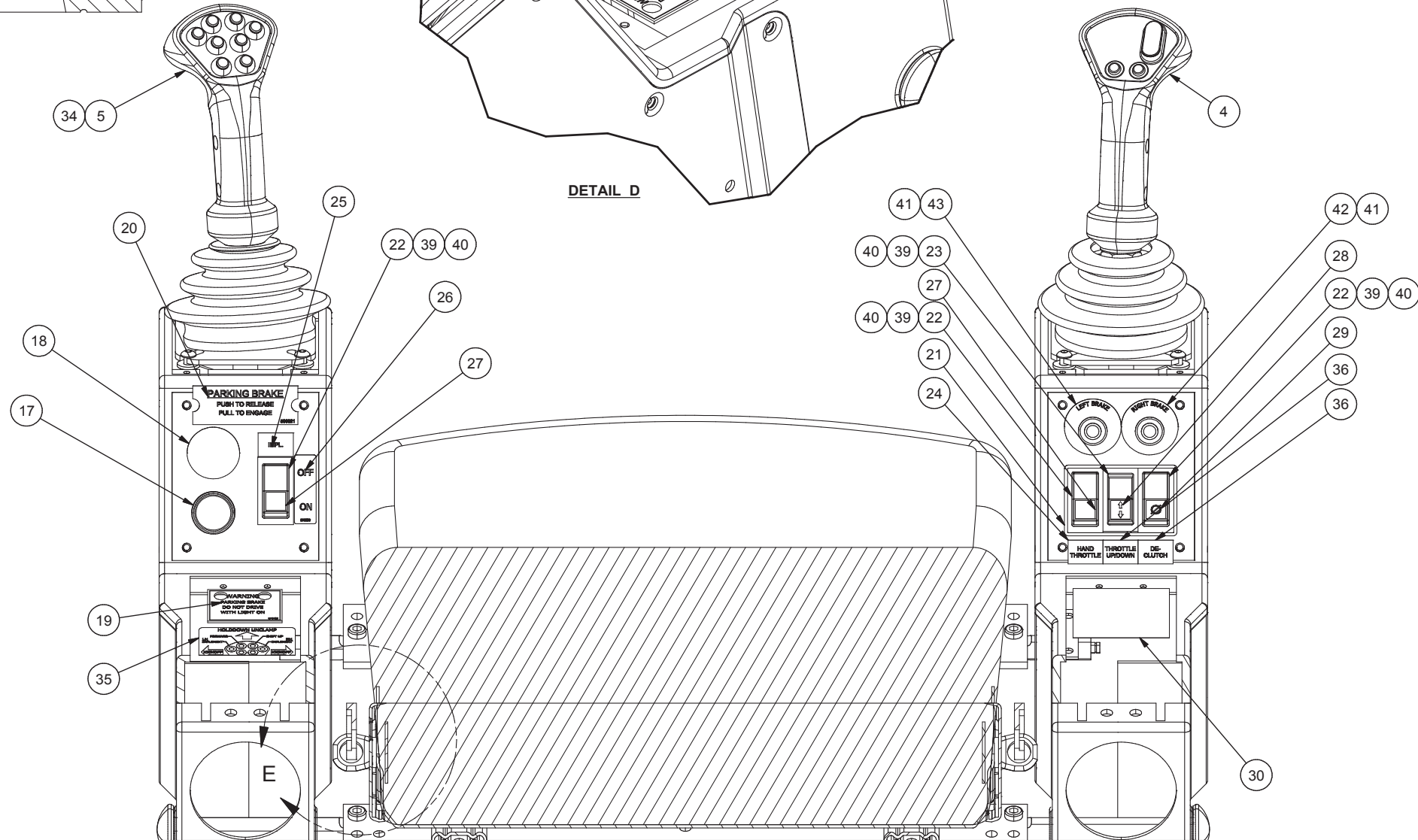
**SECTION B-B  
TYP BOTH SIDES**



**DETAIL D**



**DETAIL E**



**SECTION C-C**

AS