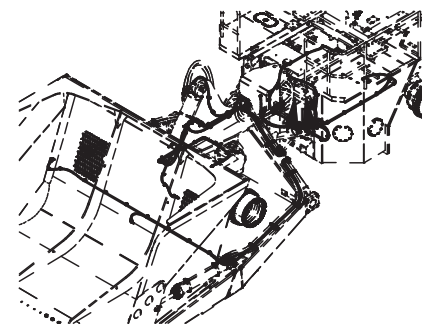
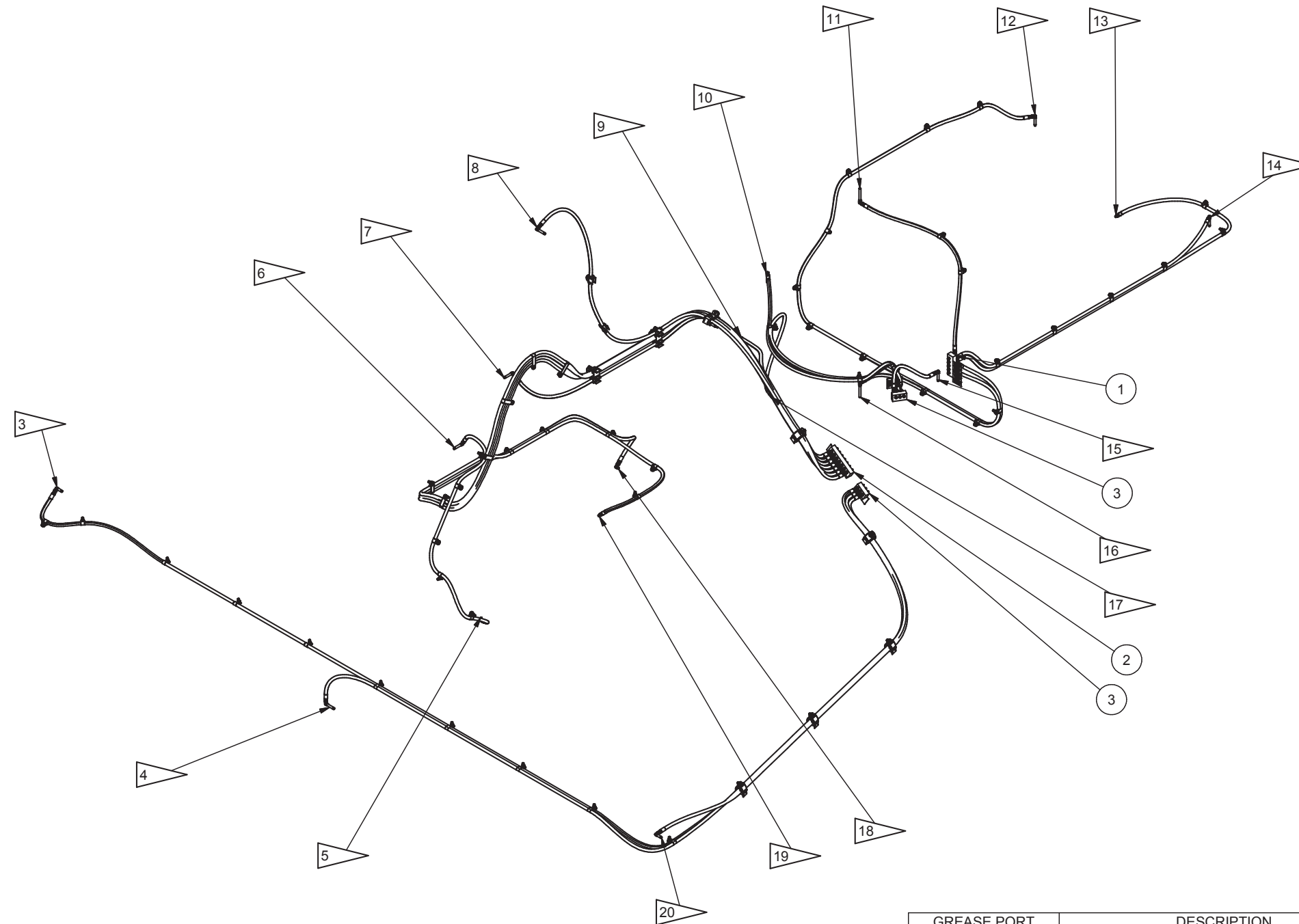

Manifold Installation, Central Lube

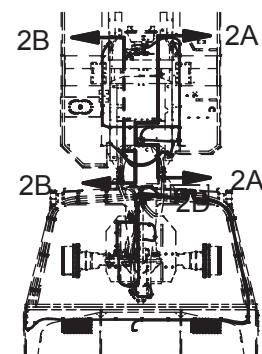
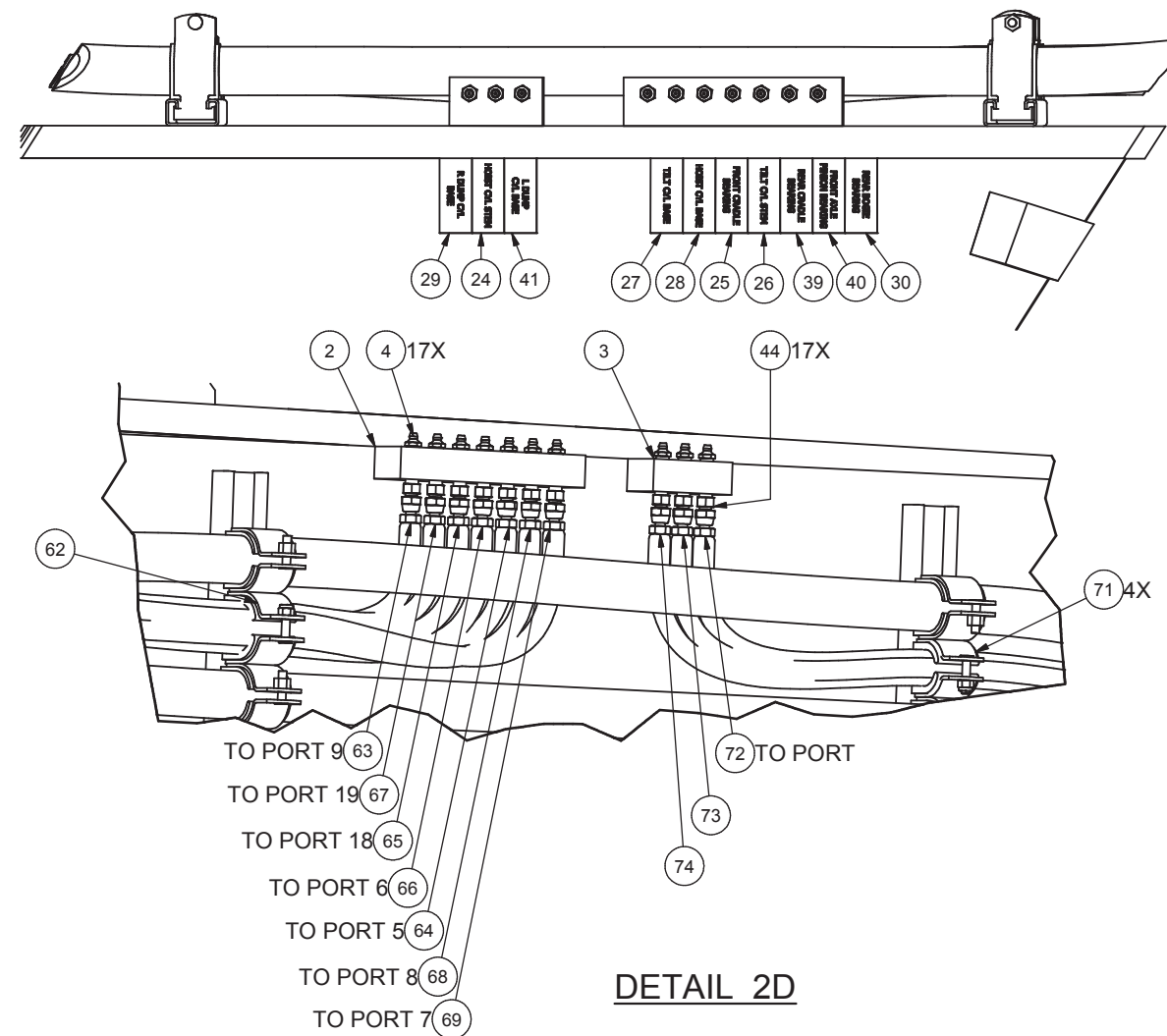
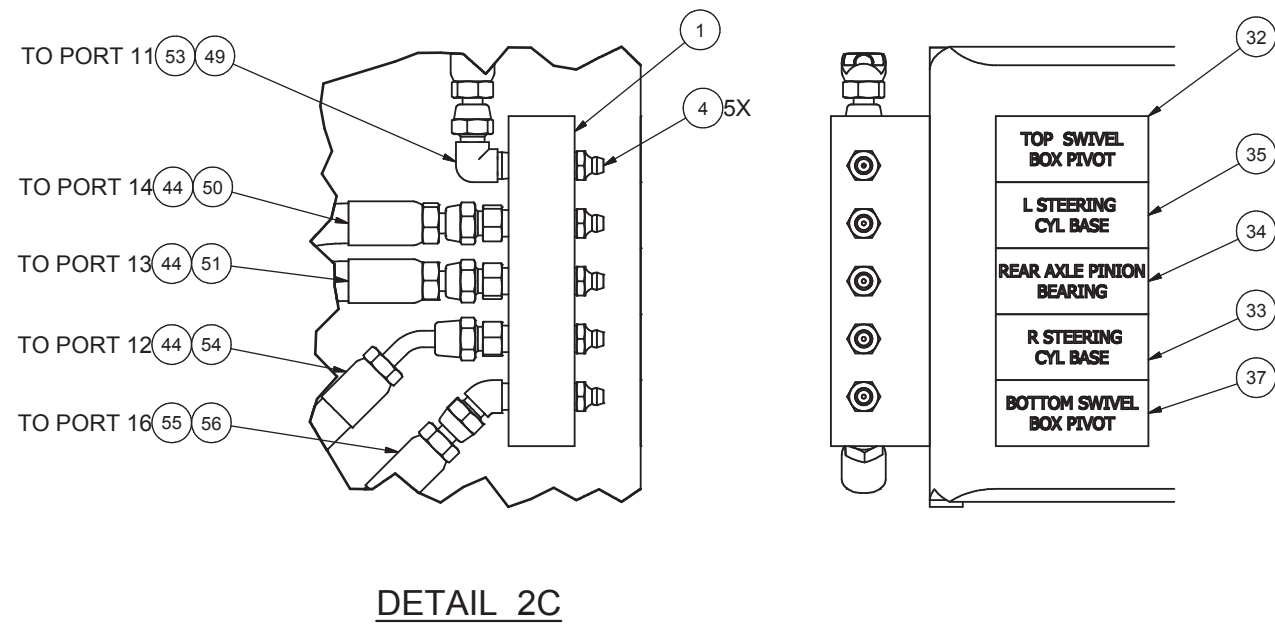
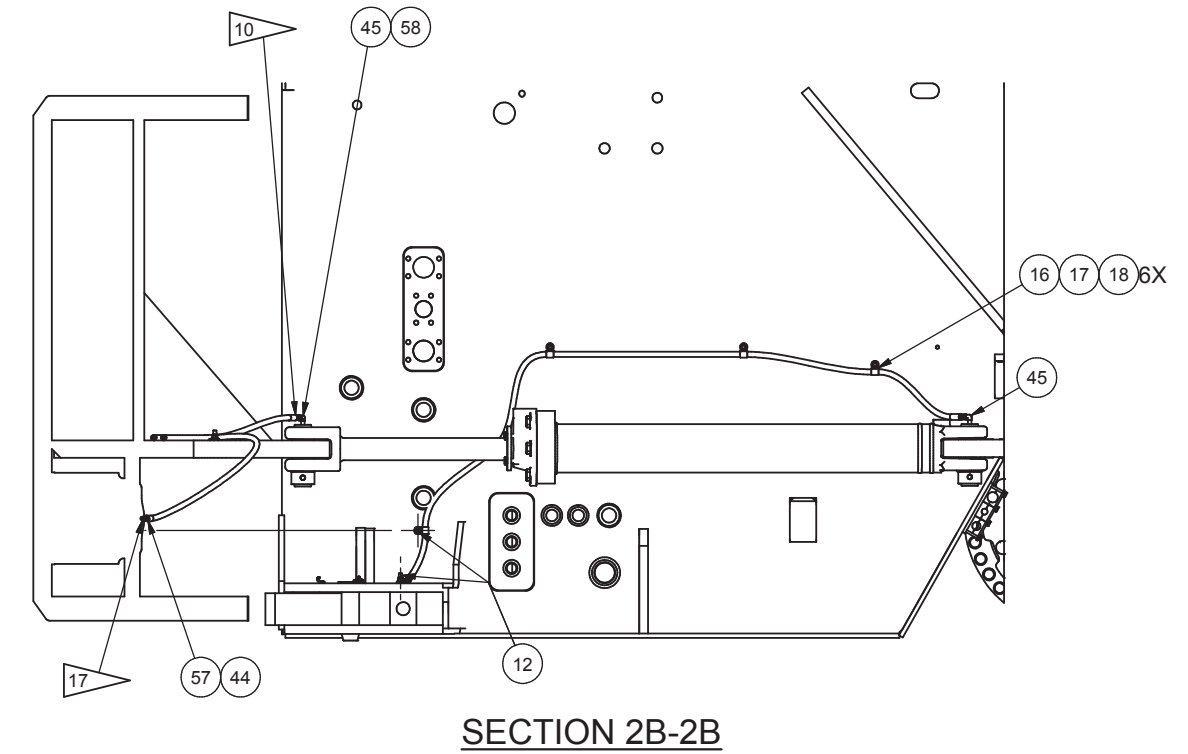
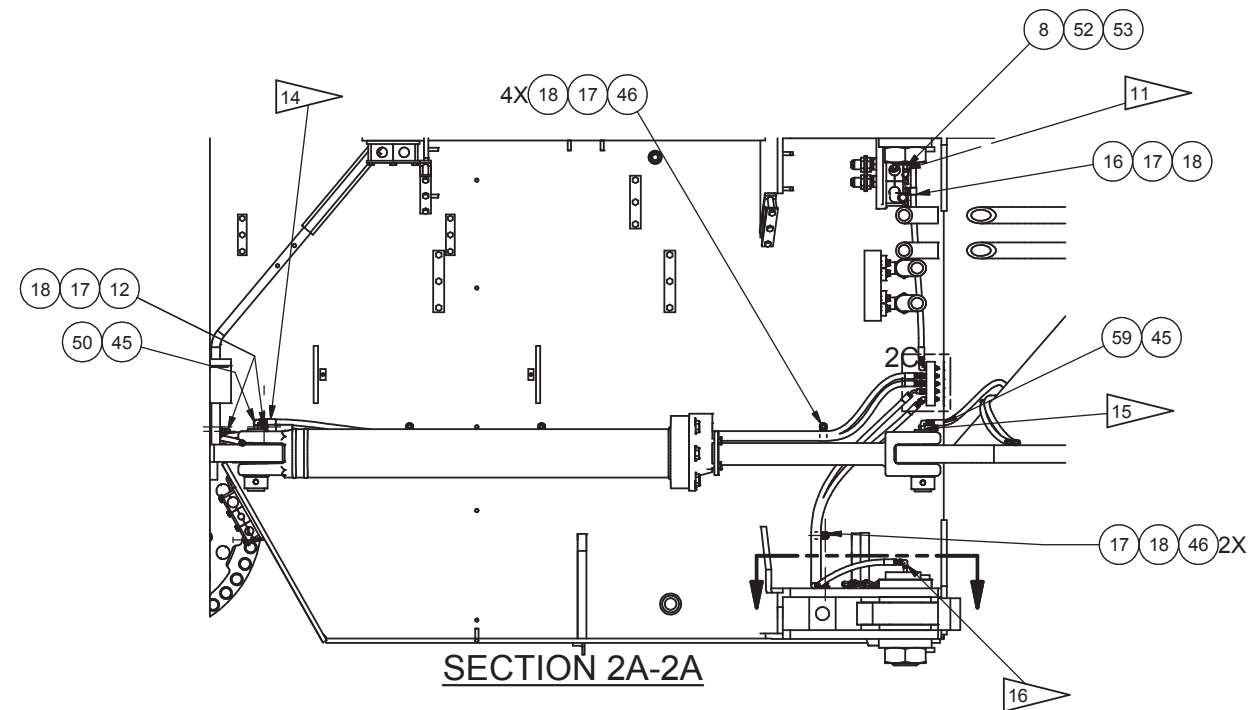
Manifold Installation Central Lube

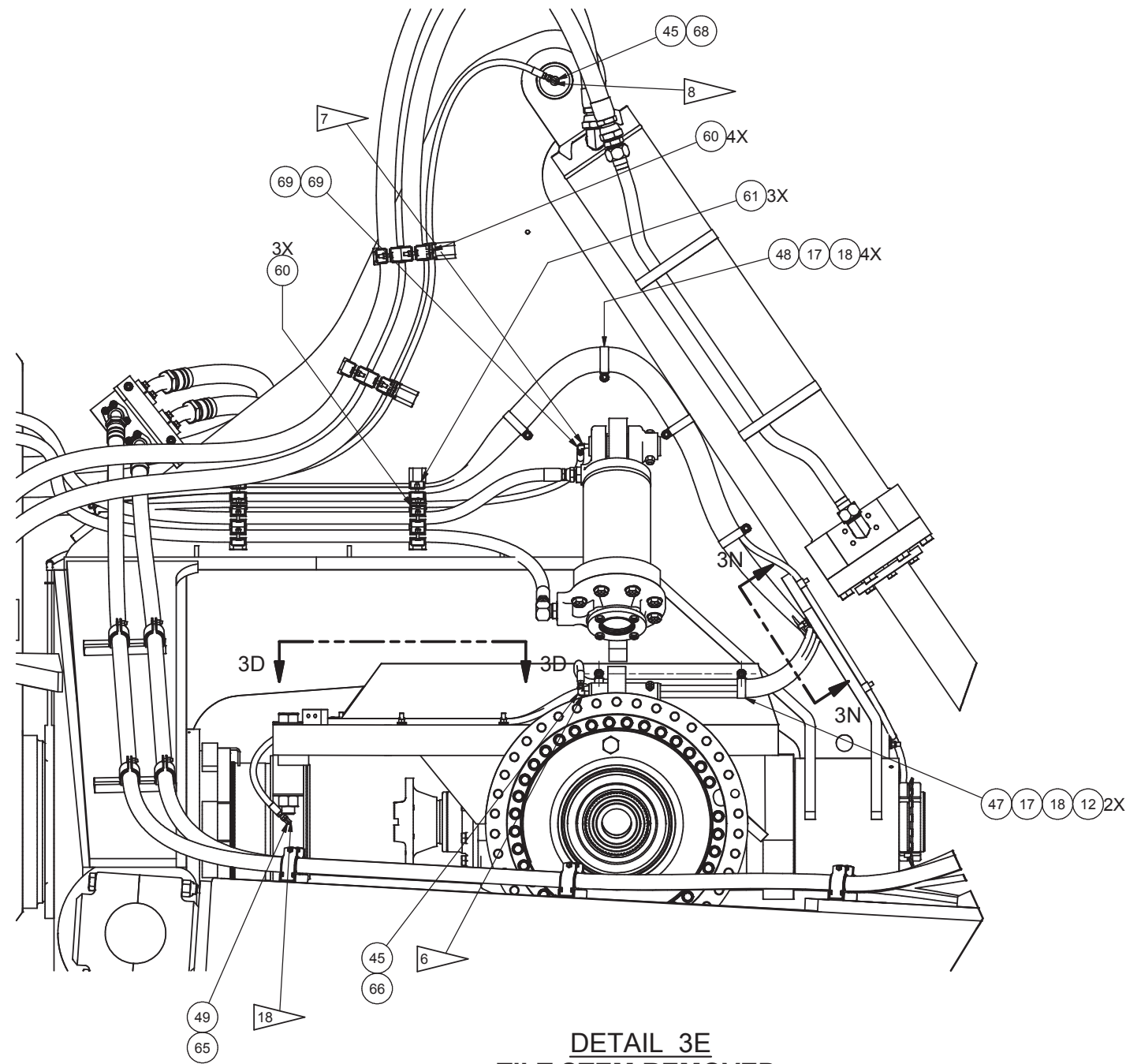
Item	Part No.	Qty	Description	Item	Part No.	Qty	Description
	590007		Manifold Installation, Central Lube				
1	564216	1	. Manifold, Lube	45	212300	8	. Fitting
2	561339	1	. Manifold, Lube	46	209696	18	. Clamp
3	565406	2	. Manifold, Lube	47	227398	3	. Clamp
4	16001W	18	. Fitting	48	R13805003	4	. Clip
8	10783	2	. Nipple, Pipe	49	209405	4	. Fitting
12	221314	30	. Stud, Weld	50	258301	1	. Hose Assembly
16	209579	22	. Clamp	51	258301	1	. Hose Assembly
17	221767W	47	. Washer	52	209425	3	. Fitting
18	R13811191	47	. Locknut	53	258301	1	. Hose Assembly
20	211790	10'	. Spirap	54	258828	1	. Hose Assembly
24	589792	1	. Label; Hoist Cyl Stem	55	209790	1	. Fitting
25	589793	1	. Label; Front Cradle Bearing	56	258301	1	. Hose Assembly
26	589794	1	. Label; Tilt Cyl Stem	57	252286	1	. Hose Assembly
27	589795	1	. Label; Tilt Cyl Base	58	252286	1	. Hose Assembly
28	589796	1	. Label; Hoist Cyl Base	59	258301	1	. Hose Assembly
29	589797	1	. Label; R Dmp Cyl Base	60	231251	7	. Clamp
30	589798	1	. Label; Rear Bogie Bearing	61	231249	3	. Clamp
31	589799	1	. Label; R Steering Cyl Stem	62	231248	1	. Clamp
32	589800	1	. Label; Top Swivel Box Pivot	63	258301	1	. Hose Assembly
33	589801	1	. Label; R Steering Cyl Base	64	258301	1	. Hose Assembly
34	589802	1	. Label; Rear Axle Pinion Bearing	65	258301	1	. Hose Assembly
35	589803	1	. Label; L Steering Cyl Base	66	258301	1	. Hose Assembly
36	589804	1	. Label; L Steering Cyl Stem	67	258301	1	. Hose Assembly
37	589805	1	. Label; Bottom Swivel Box Pivot	68	258301	1	. Hose Assembly
38	589806	1	. Label; Swivel Box Main Bearing	69	258301	1	. Hose Assembly
39	589807	1	. Label; Rear Cradle Bearing	70	R1931720	2	. Fitting
40	589808	1	. Label; Front Axle Pinion Bearing	71	CLP0100112	4	. Clamp
41	589809	1	. Label; L Dump Cyl Base	72	590341	1	. Hose Assembly
44	209750	18	. Fitting	73	590342	1	. Hose Assembly
				74	590341	1	. Hose Assembly



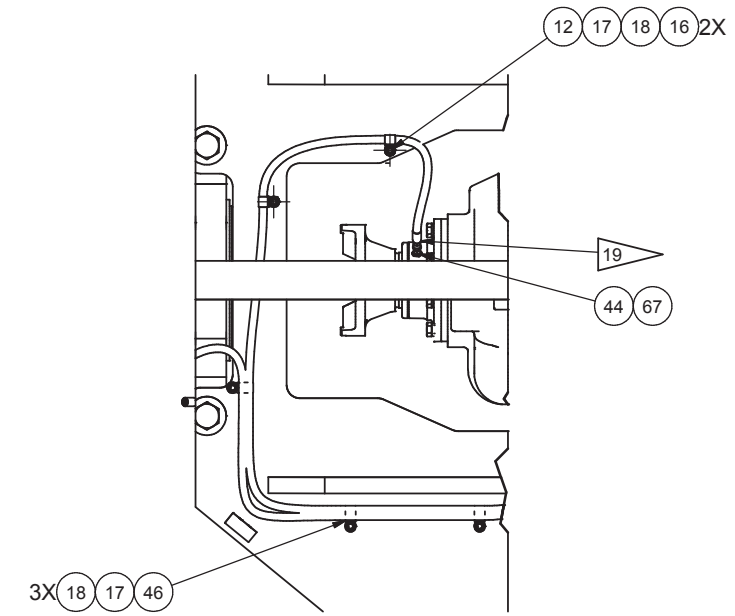
GREASE PORT	DESCRIPTION
1	RIGHT BUCKET PIVOT
2	RIGHT DUMP CYLINDER STEM PIVOT
3	RIGHT DUMP CYLINDER BASE PIVOT
4	HOIST CYLINDER STEM PIVOT
5	FRONT CRADLE / BOGIE BEARING
6	TILT CYLINDER STEM PIVOT
7	TILT CYLINDER BASE PIVOT
8	HOIST CYLINDER BASE PIVOT
9	REAR BOGIE BEARING
10	RIGHT STEERING CYLINDER STEM PIVOT
11	TOP SWIVEL BOX PIVOT
12	RIGHT STEERING CYLINDER BASE PIVOT
13	REAR AXLE PINION BEARING
14	LEFT STEERING CYLINDER BASE PIVOT
15	LEFT STEERING CYLINDER STEM PIVOT
16	BOTTOM SWIVEL BOX PIVOT
17	SWIVEL BOX MAIN BEARING
18	CRADLE REAR BEARING
19	FRONT AXLE PINION BEARING
20	LEFT DUMP CYLINDER BASE PIVOT
21	LEFT DUMP CYLINDER STEM PIVOT
22	LEFT BUCKET PIVOT

B

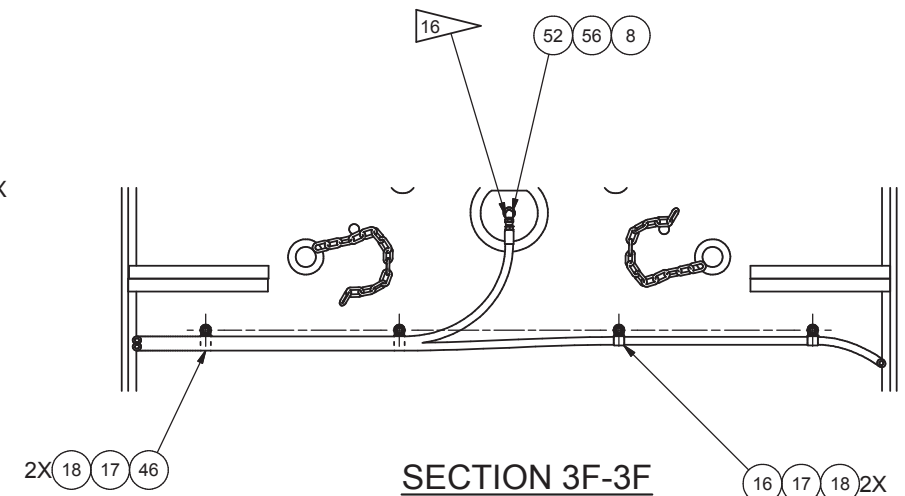




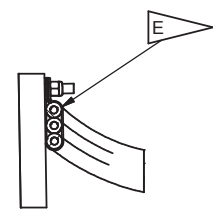
**DETAIL 3E
TILT STEM REMOVED
FOR CLARITY**



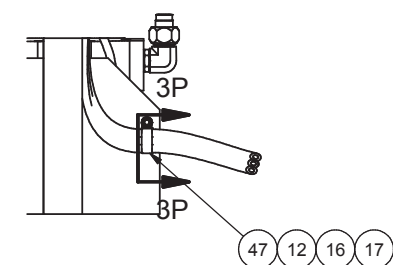
DETAIL 3G



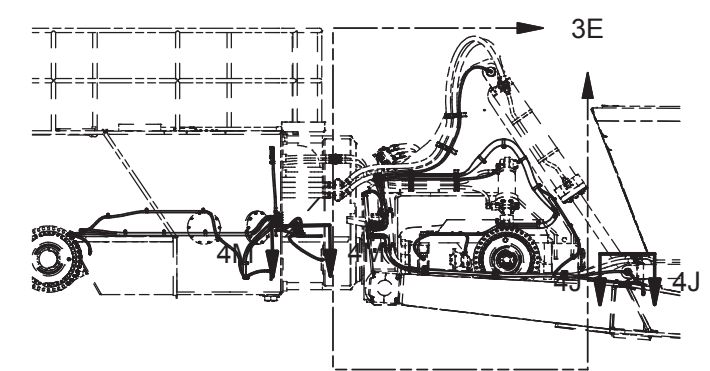
SECTION 3F-3F

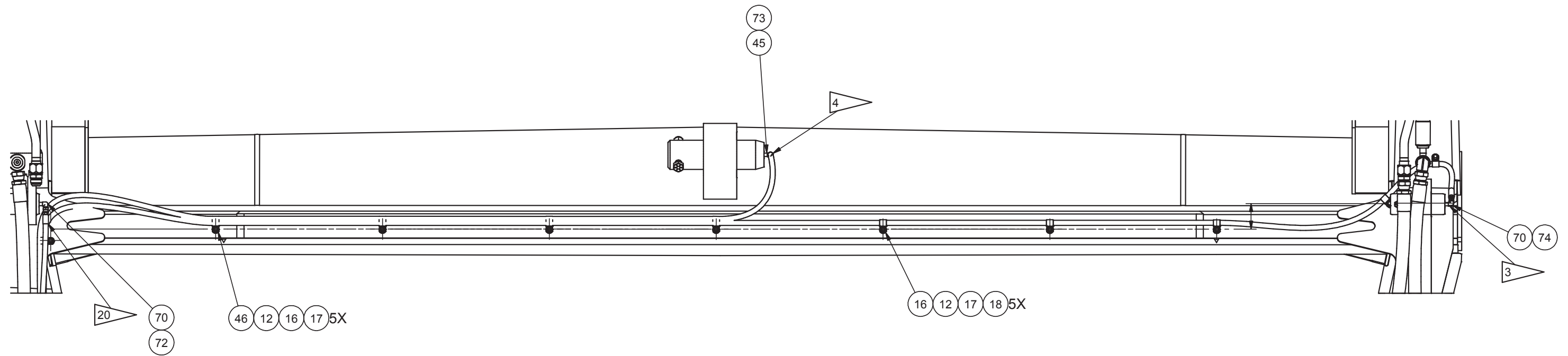


SECTION 3P-3P

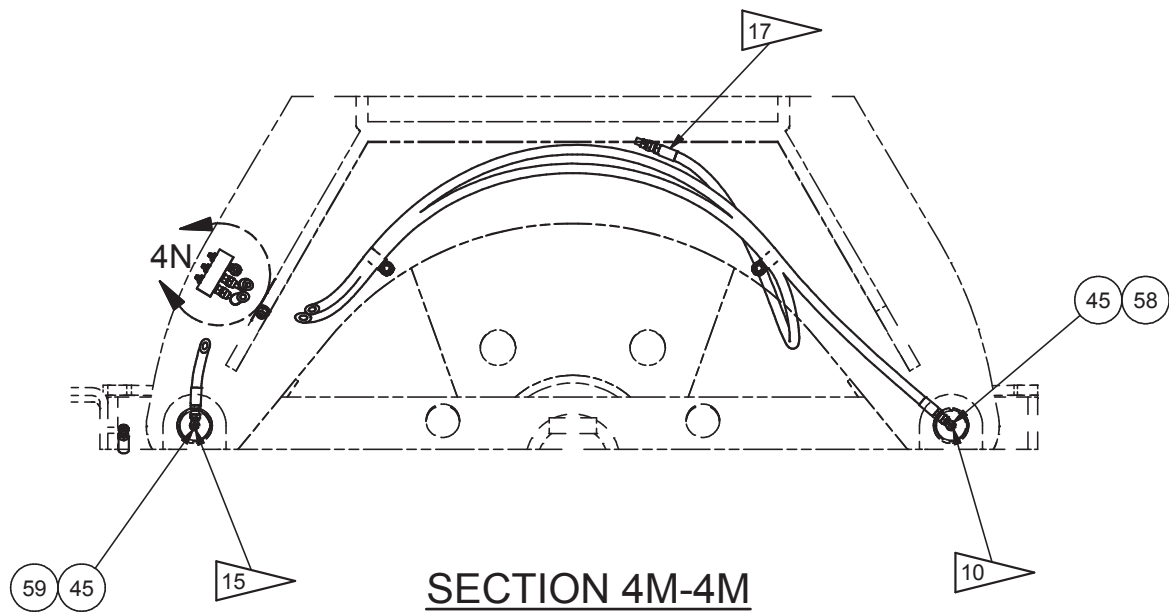


SECTION 3N-3N

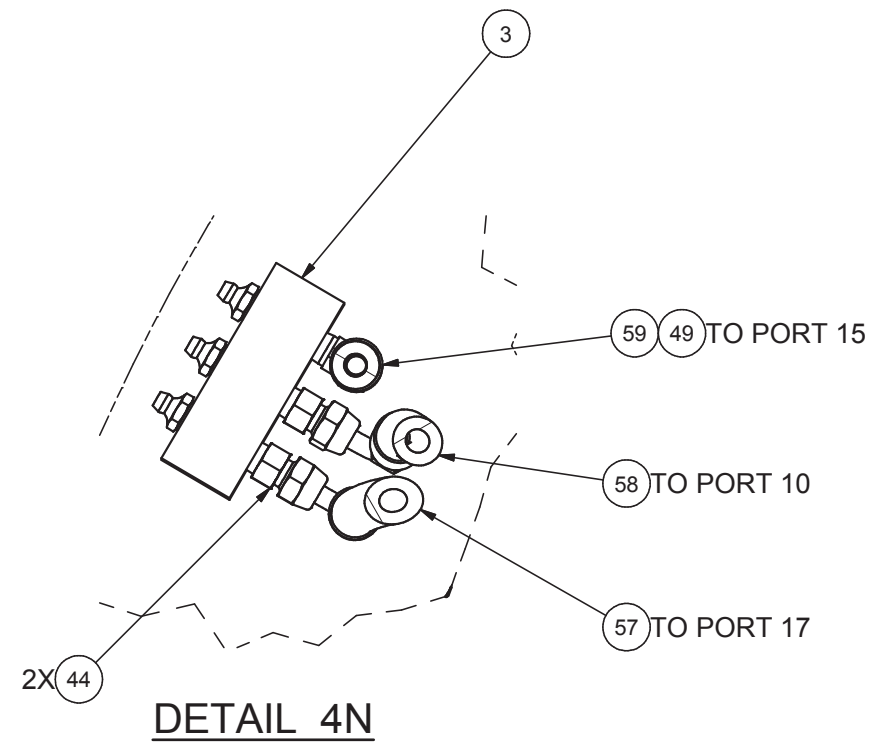




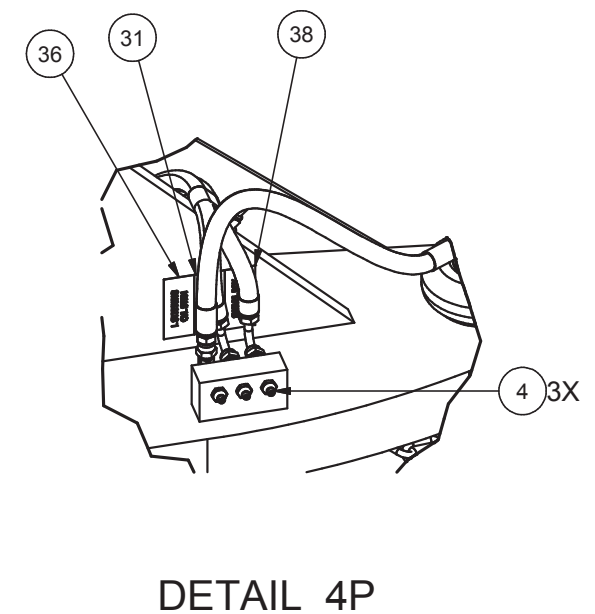
SECTION 4J-4J
PARTS REMOVED FOR CLARITY



SECTION 4M-4M



DETAIL 4N



DETAIL 4P