

Power Unit

Power Unit

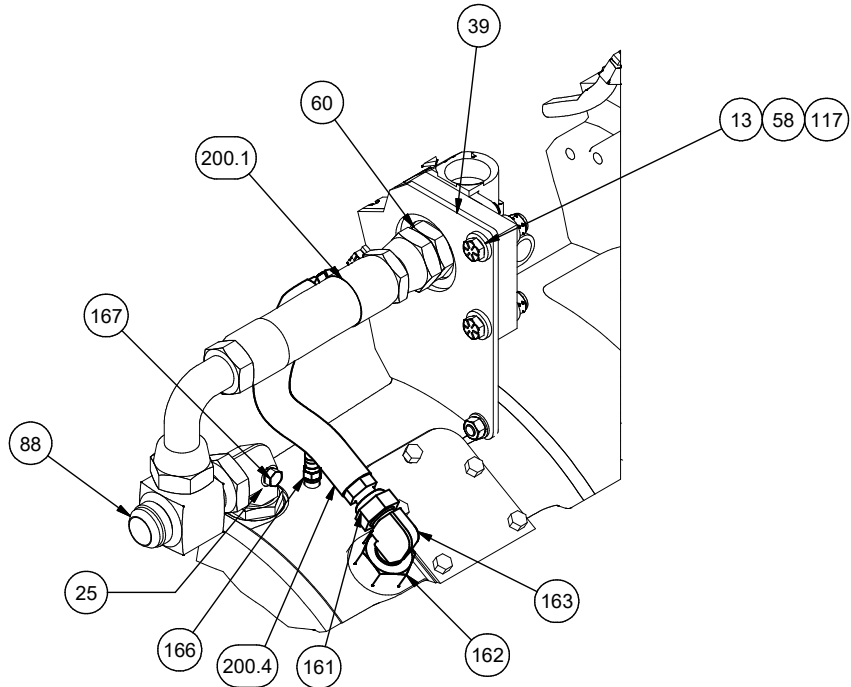
Item	Part No.	Qty	Description	Item	Part No.	Qty	Description
	589250		Power Unit				
1	* 256934	1	. Engine	57	578732	1	. Fitting
3	* 256298	1	. Converter (Serial No. Req'D)	58	221574W	4	. Capscrew
4	587699	1	. Plate, Adapter	59	14857	1	. Fitting
5	* 257100	1	. Kit, Flexplate	60	2511276	1	. Fitting
6	587578	1	. Pump, Vane	61	254445	1	. Fitting
	254758	1	.. Seal Kit	62	586603	6	. Stud
	254759	1	.. Shaft & Bearing Kit	66	242687	1 FT	. Sleeve, Fire
7	585684	2	. Engine Mount, Rear	67	Y17C-0616	1	. Capscrew
8	12721	1	. Kit, Split Flange	69	R13806770	6	. Hex Nut
	203519	1	.. O-Ring	70	586841	1	. Fitting
9	580151	1	. Spacer	71	16268	1	. Fitting
10	583464	1	. Engine Mount, Front	72	231908	1	. Fitting
11	180189W	8	. Capscrew	73	203519	3	. O-Ring
12	224964	1	. Fitting	74	256421	1	. Belt, Serpentine
13	221771W	34	. Hard Washer	75	R13811082	4	. Capscrew
14	585613	1	. Bracket	76	PPE0100902	1	. Fitting
15	583675	1	. Fitting	77	229944	1	. Fitting
16	586387	1	. Fitting	78	11740	1	. Kit, Split Flange
17	11759	1	. Kit, Split Flange		203446	1	.. O-Ring
	203443	1	.. O-Ring	79	11767	2	. Kit, Split Flange
18	245298	1	. Fitting		203516	1	.. O-Ring
19	11741	1	. Fitting	80	543270	1	. Fitting
20	225128	1	. Fitting	81	549283	1	. Flange, Gauge Port
21	221767W	16	. Hard Washer	82	580019	1	. Plate, Flange
22	223794	1	. Fitting	83	209537	2	. Clamp Half
24	230466	1	. Fitting	84	203516	2	. O-Ring
25	586389	2	. Fitting	85	209538	2	. Clamp Half
26	221563W	10	. Capscrew	86	202889	1	. Switch
27	586985	2	. Ball Valve	87	211560	1	. Fitting
28	585686	1	. Elbow, Exhaust	88	214130	2	. Fitting
29	259328	1	. Cover Assembly, Valve	91	582310	1	. Fitting
30	576782	1	. Shaft, Spline	92	209752	2	. Fitting
31	221499W	2	. Capscrew	93	19920	1	. Fitting
32	221711W	4	. Hex Nut	94	209917	1	. Fitting
34	R13801762	1	. Plug	95	557268	1	. Fitting
35	58907W	1	. Snap Ring	98	209490	1	. Fitting
36	221657W	2	. Capscrew	99	R13801760	1	. Fitting
37	221777W	12	. Hard Washer	100	Y73G-1036	2	. Capscrew
38	224194	2	. Nut, Esna	109	237567	4	. Nut, Esna
39	580154	1	. Plate, Mounting	110	Y17C-0624	4	. Capscrew
40	* 228640	1	. Regulator, Converter Bypass	111	229345	1	. Fitting
41	R13803047	1	. Clip, Insulated	117	223587	6	. Nut, Esna
42	* 253303	1	. Pump, Hydraulic	118	R13811046	4	. Capscrew
43	589113	1	. Pump	122	R13801813	2	. Capscrew
	589734	1	.. Seal Kit	124	209505	2	. Fitting
44	* 258526	1	. Pump	125	586986	2	. Fitting
45	539968	2	. Sleeve	126	209506	1	. Fitting
46	240144	1	. Adapter	127	214478	1	. Fitting
47	240145	1	. Sleeve Assembly	128	57597W	2	. O-Ring
48	505499	2	. Gasket	129	209754	1	. Fitting
49	27360	1	. Gasket	134	R330325	4	. Coupler, Male
50	R13808097	1	. Clip, Insulated	137	249309	1	. Compressor
51	226184	2	. Gasket	138	R1937536	1	. Fitting
52	586910	8	. Capscrew	139	223638	1	. Fitting
53	14697	1	. Fitting	142	293613W	4	. Capscrew
54	245757	4	. Stud	144	R13802914	4	. Hard Washer
55	R13811059	6	. Capscrew	145	259001	1	. Fitting
56	R13811432	12	. Hard Washer	146	259002	1	. Fitting

Power Unit

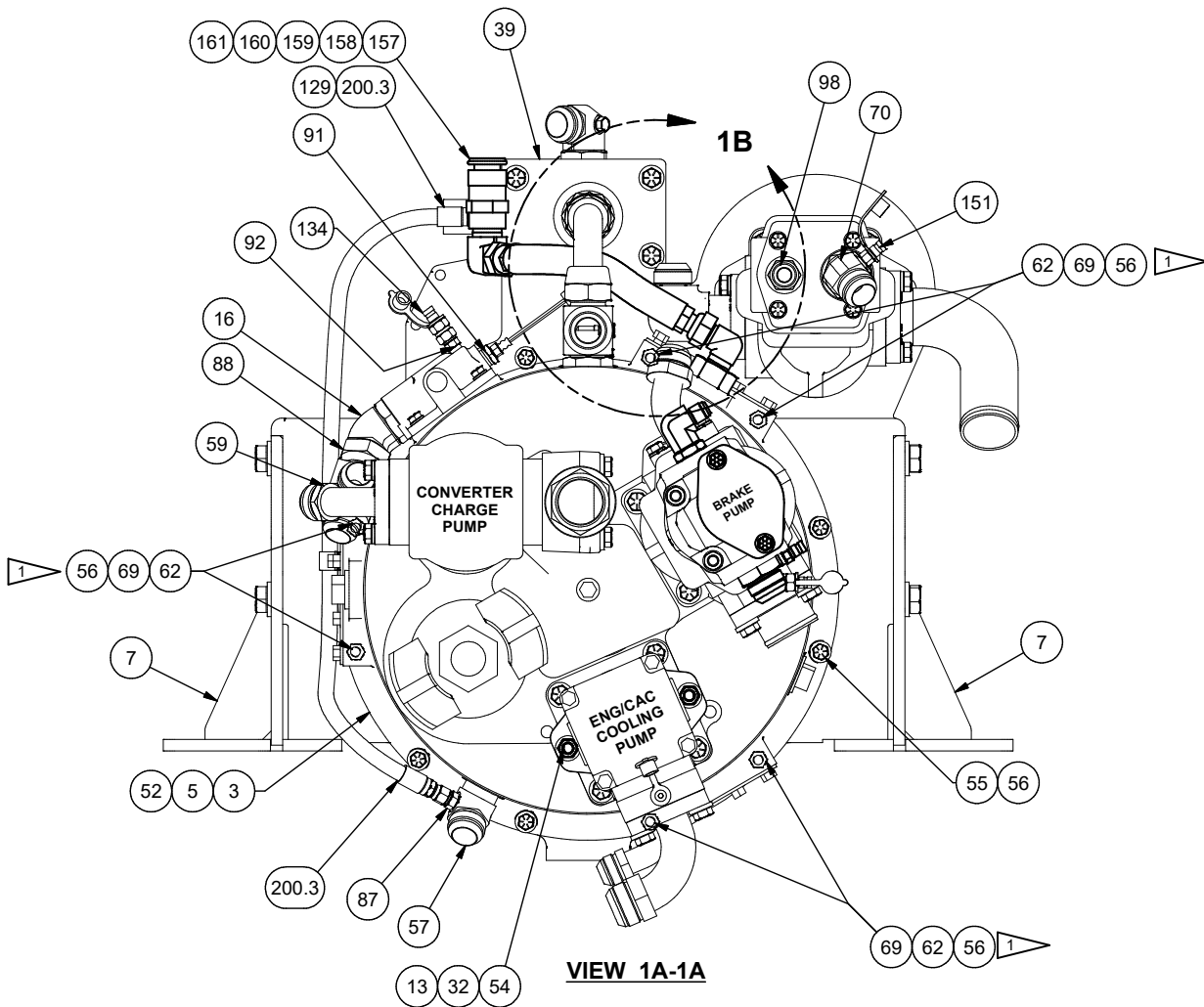
147	R10663	1	. O-Ring
148	R10664	1	. O-Ring
149	209486	1	. Fitting
150	209083	1	. Fitting
151	R14040	1	. Coupler, Male
153	221576W	8	. Capscrew
154	574132	1	. Flange
155	587124	4	. Hose Clamp
156	R13811191	2	. Locknut
157	R233598	1	. Breather, 1-Way
158	222155	1	. Fitting
159	R13803059	1	. Clip, Insulated
160	12663	1	. Fitting
161	209789	2	. Fitting
162	209509	1	. Fitting
163	209417	1	. Fitting
165	R14038	1	. Coupler, Quick
166	587673	1	. Coupler, Diagnostic
167	209423	2	. Fitting
168	00105406	1	. Nipple, Pipe
169	00105408	1	. Coupling, Pipe
170	597089	1	. Gasket
200	596814	1	. Kit, Hose
200.1	248742	1	.. Hose Assembly
200.2	248741	1	.. Hose Assembly
200.3	R12171	1	.. Hose Assembly
200.4	209846-30	1	.. Hose, Push-On
200.5	596816-18	1	.. Hose, Heater

* See Separate Coverage

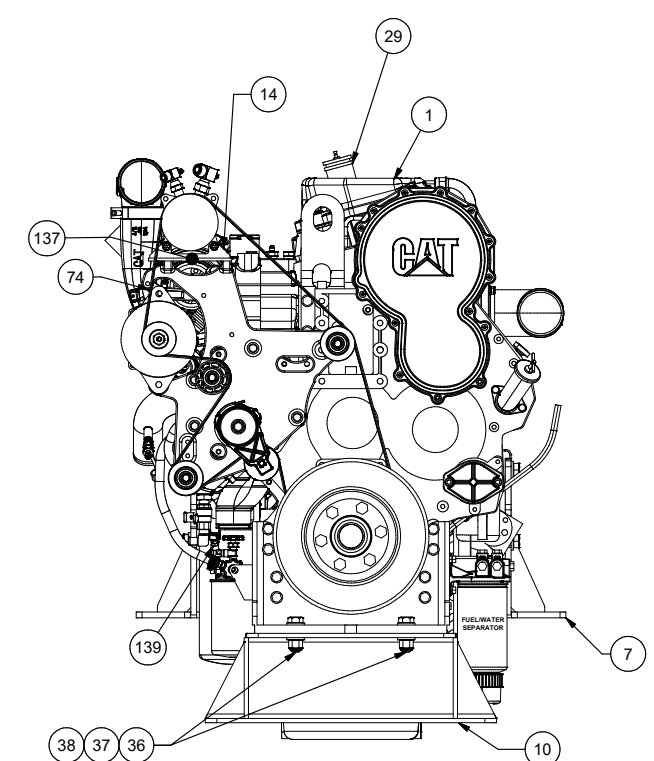
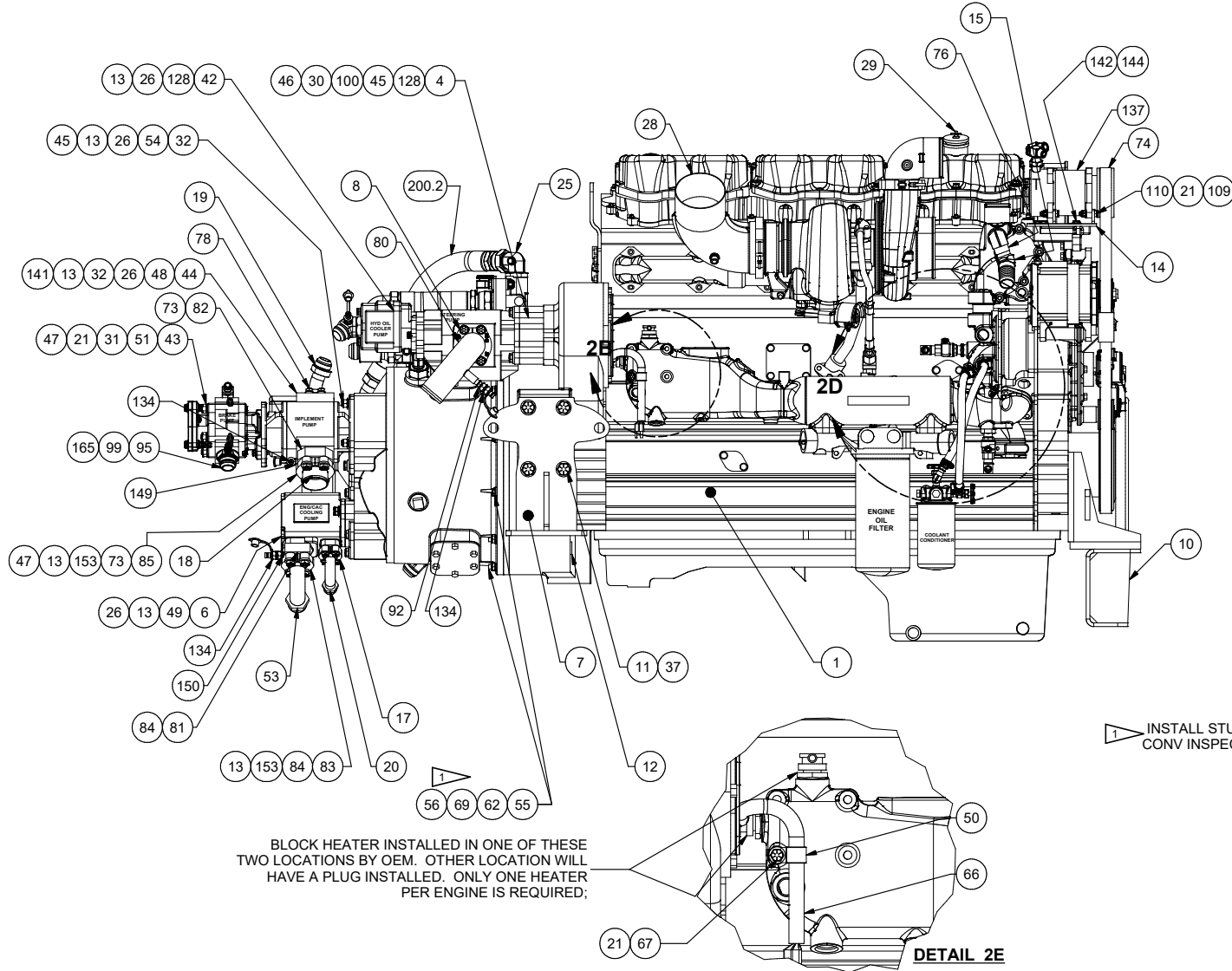
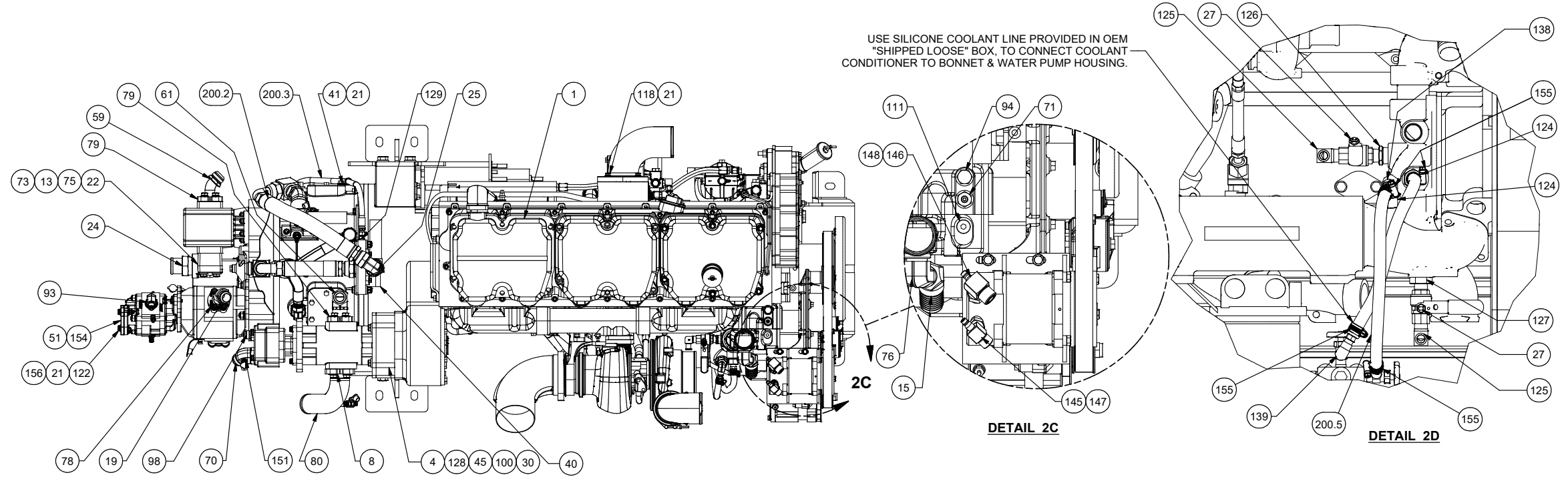
Power Unit

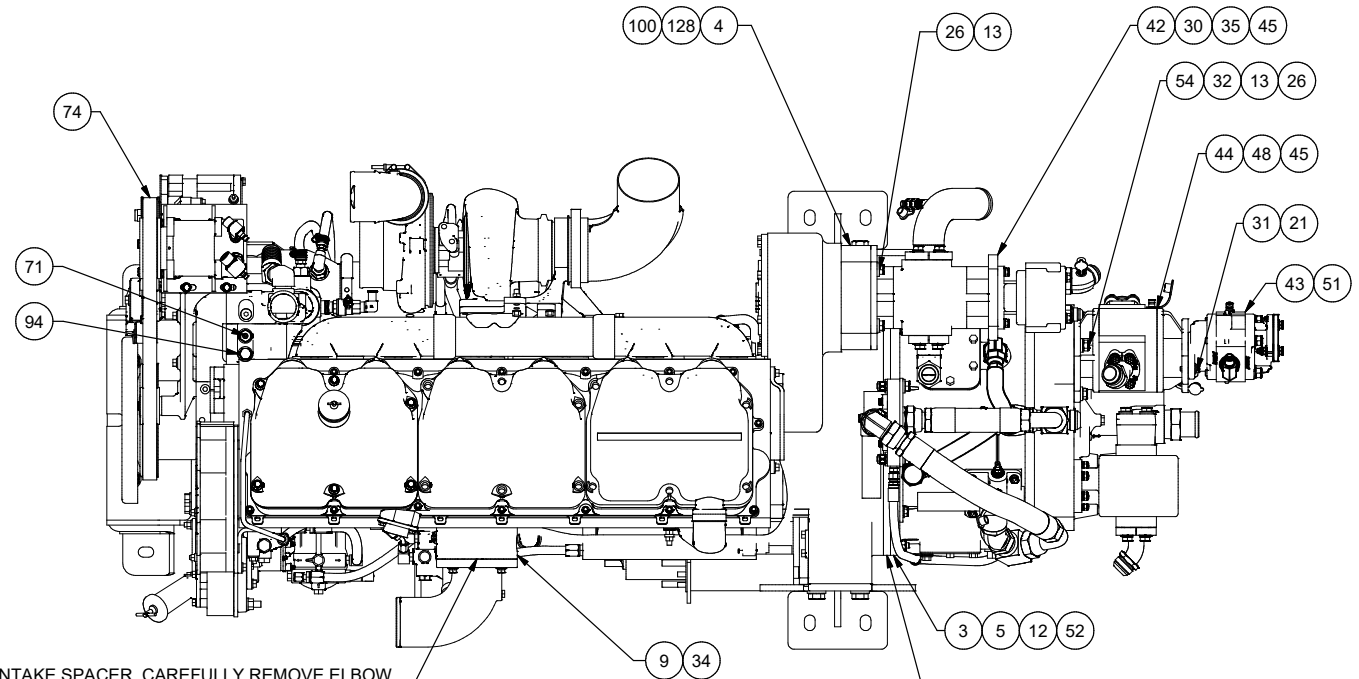
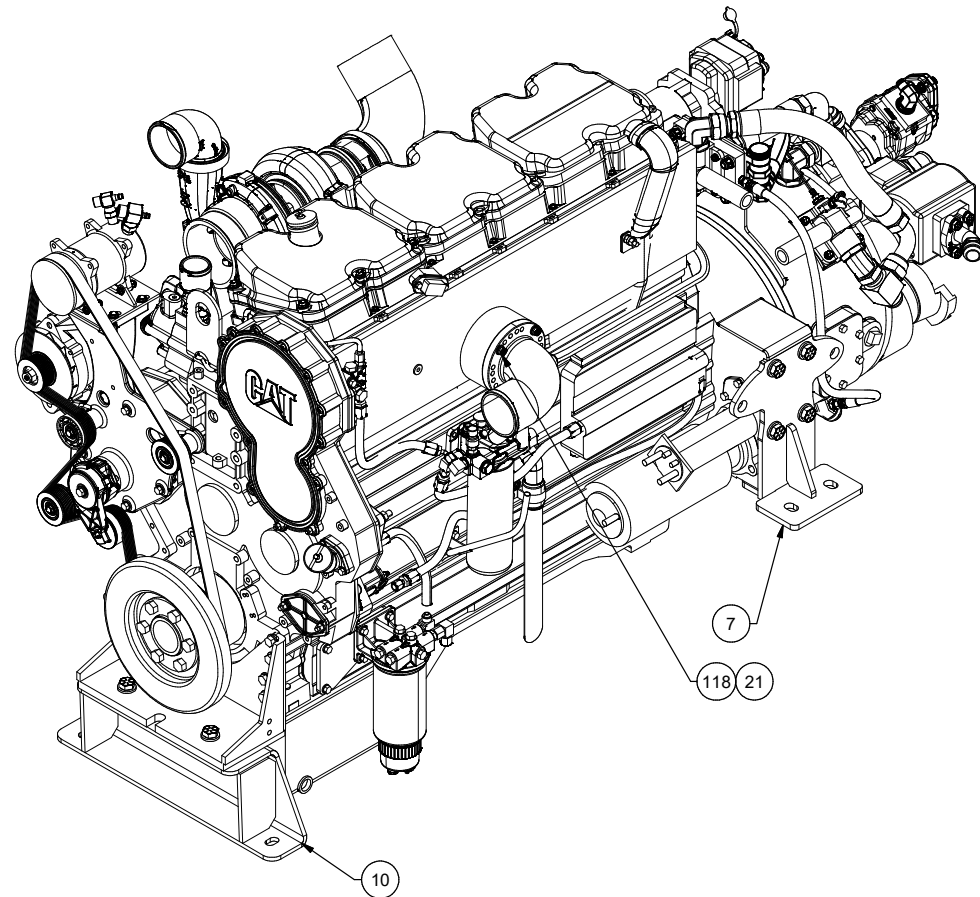


DETAIL 1B



VIEW 1A-1A





TO INSTALL INTAKE SPACER, CAREFULLY REMOVE ELBOW.
RE-USE CAT GASKET, P/N: 101-3125 IN ADDITION TO THE
GASKET PROVIDED IN THE "SHIPPED LOOSE ITEMS" CRATE.

NOTE:
SPACER FOR USE WITH FLEX PLATE.
(SUPPLIED WITH ENGINE)

REFER TO INSTRUCTION SET INCLUDED IN ITEM 5
FOR INFORMATION ON TORQUE CONVERTER TO
ENGINE INTERFACE;

