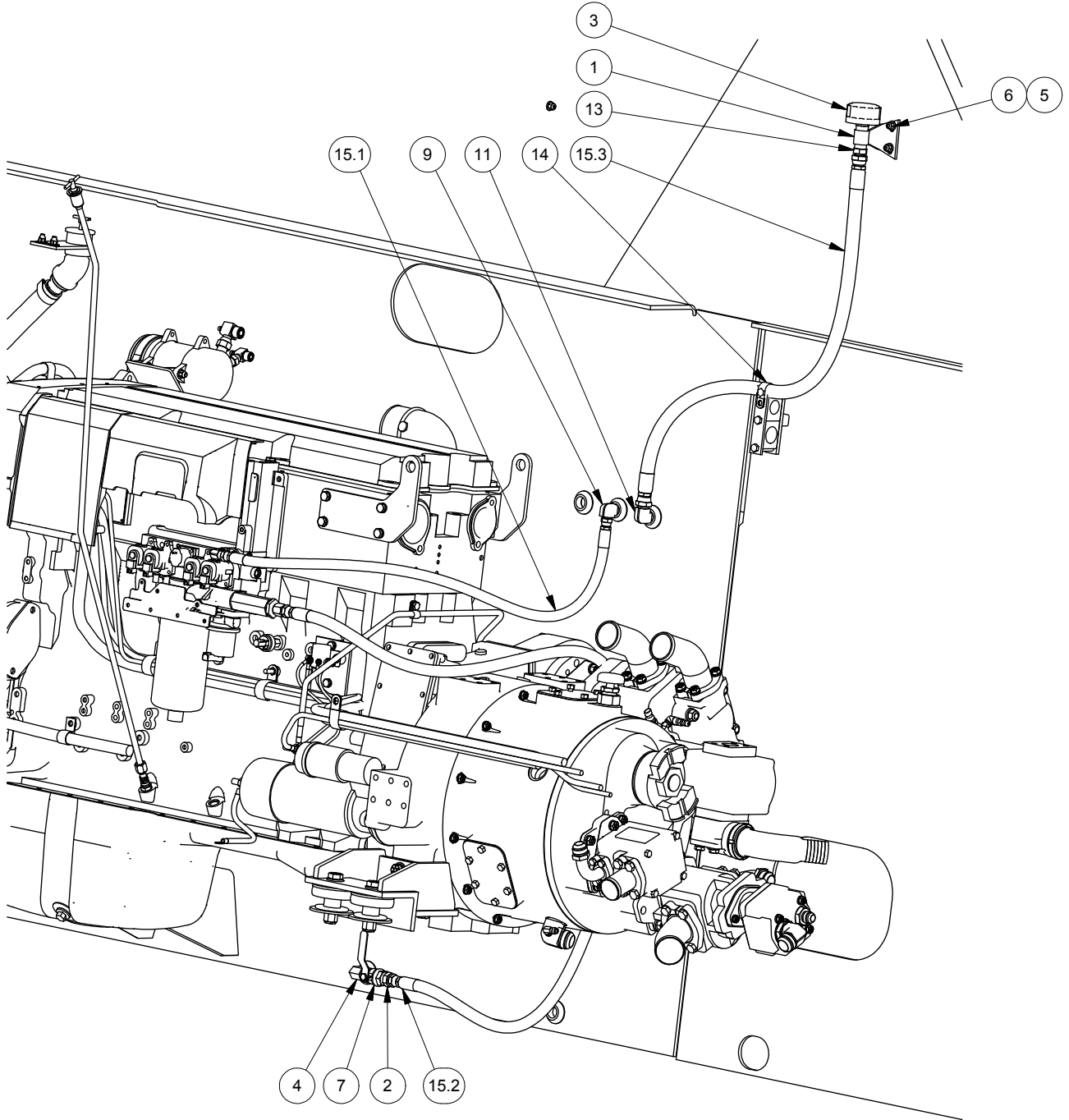


Fuel Plumbing



Item	Part No.	Qty	Description	Item	Part No.	Qty	Description
<b>589233 Fuel Plumbing</b>							
1	561316	1	. Bracket, Fuel Filter	11	209416	1	. Fitting
2	209891	1	. Fitting	13	209759	1	. Fitting
3	227988	1	. Filler Breather	14	R2528352	1	. Clip, Insulated
4	218970	1	. Fitting	15	590458	1	. Kit, Hose
5	221767W	2	. Washer	15.1	229731	1	.. Hose Assembly
6	R13811191	2	. Locknut	15.2	217560	1	.. Hose Assembly
7	218923	1	. Ball Valve	15.3	588935	1	.. Hose Assembly
9	209413	1	. Fitting				