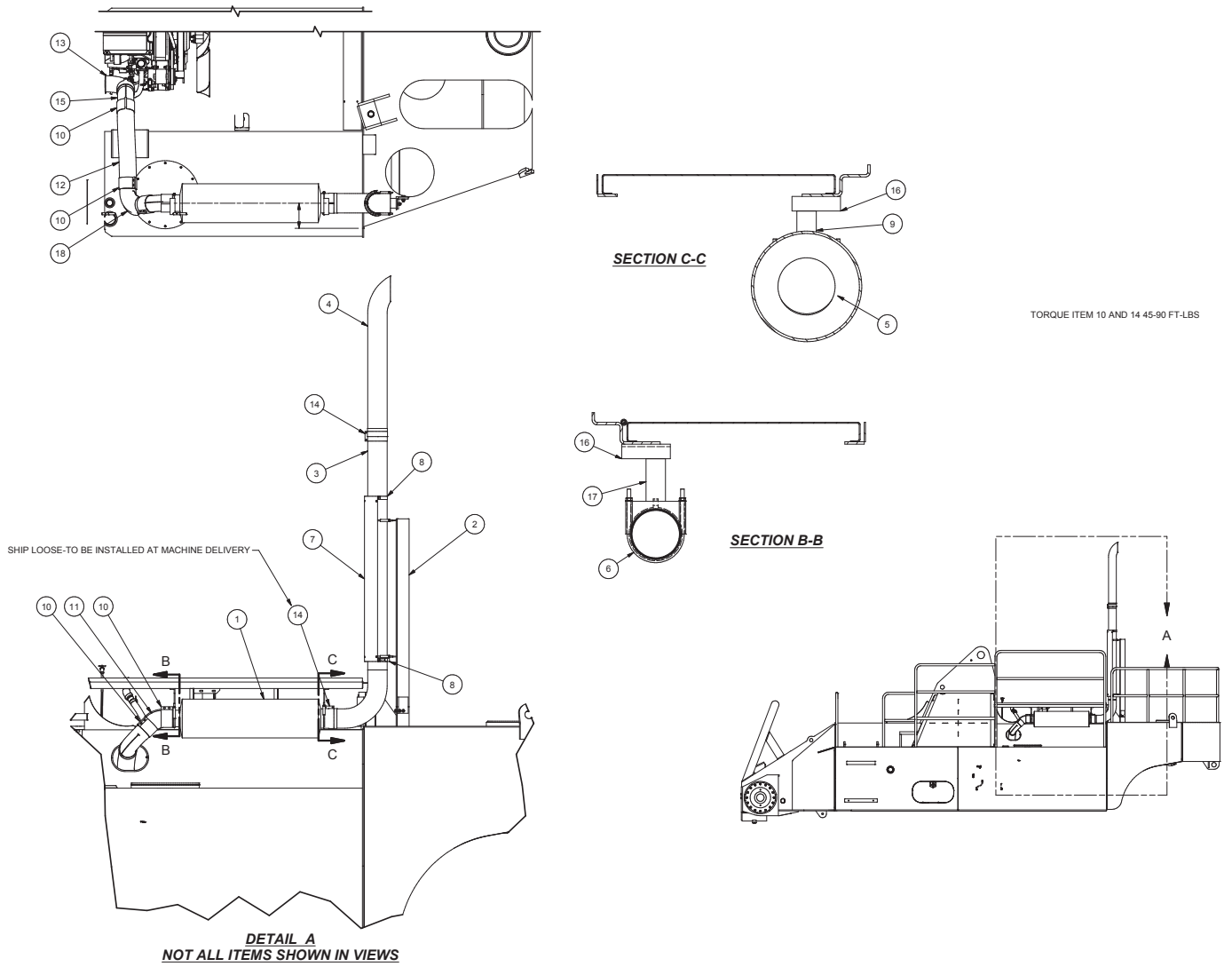


Exhaust Installation



TORQUE ITEM 10 AND 14 45-90 FT-LBS

Item	Part No.	Qty	Description	Item	Part No.	Qty	Description
588097 Exhaust Installation							
1	232099	1	. Muffler	10	226586	5	. Seal Clamp
2	581664	1	. Support Weldment, Exhaust	11	218299	1	. Elbow
3	581665	1	. Stack Weldment	12	218140	4'	. Tube, Flex
4	251418	1	. Exhaust Stack	13	N/A	1	. Elbow, Exhaust
5	232299	1	. Clamp, Exhaust	14	251421	2	. Clamp, Exhaust
6	208241	1	. Clamp	15	208242	1	. Elbow
7	588366	1	. Guard, Exhaust Tube	16	YMHA 408-5.00	2	. Angle
8	588367	2	. Clamp	17	YMHA 024-4.38	1	. Bar
9	YMHA 024-4.00	1	. Bar	18	208243	1	. Elbow