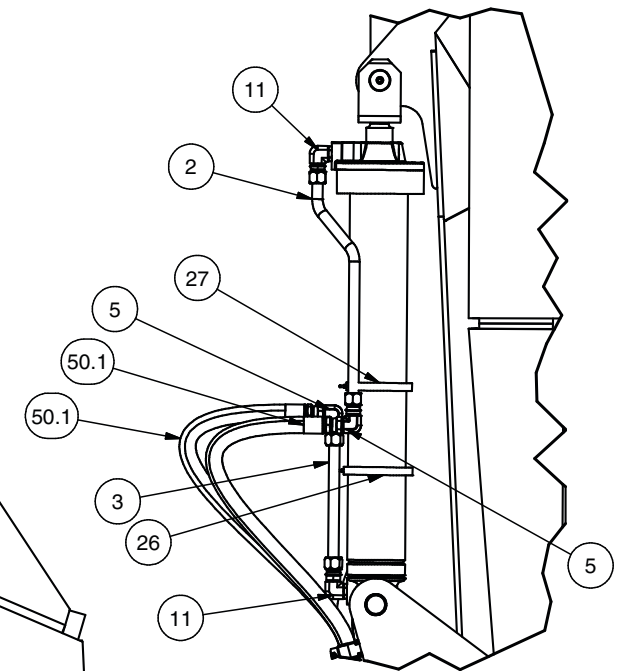
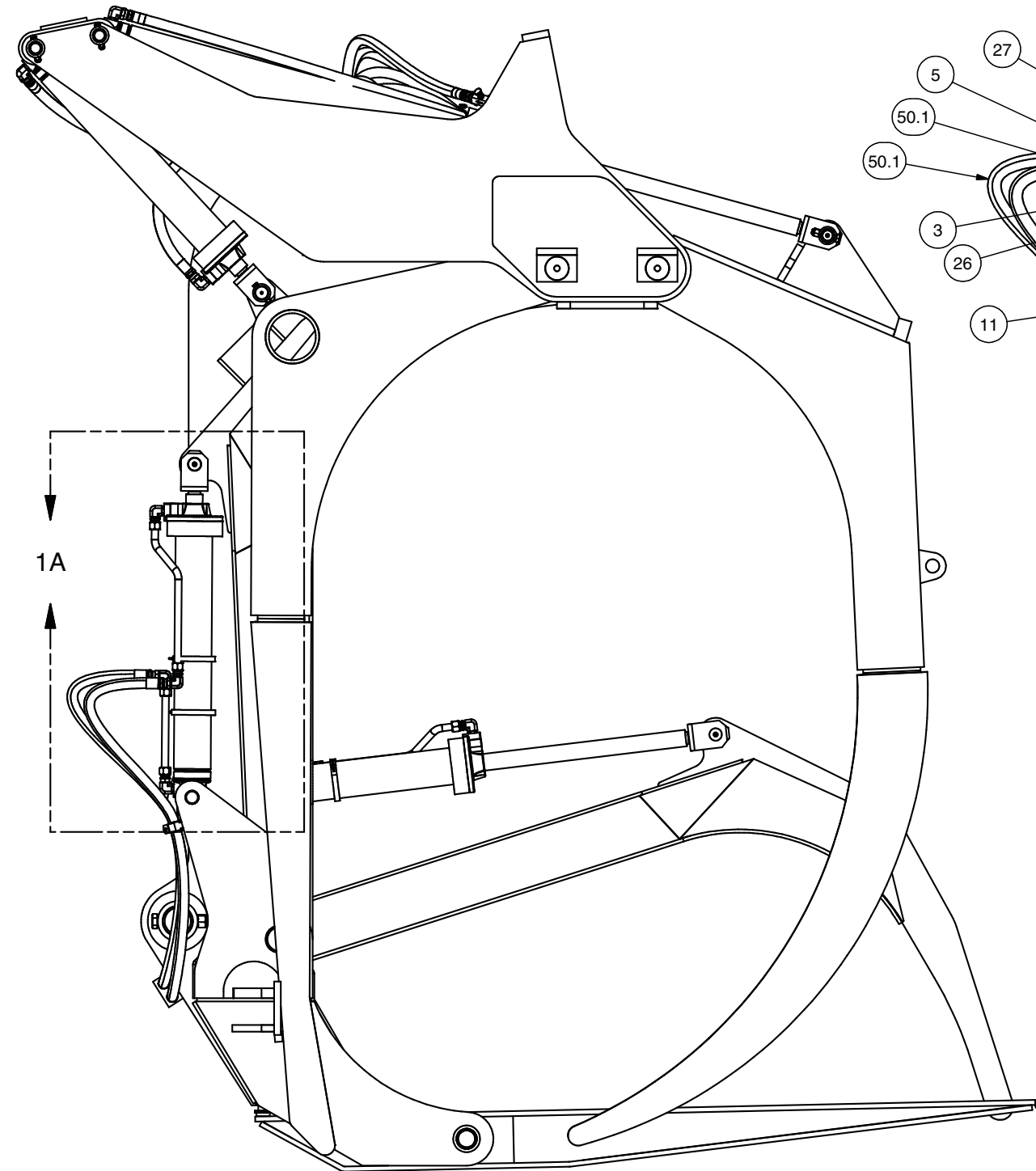
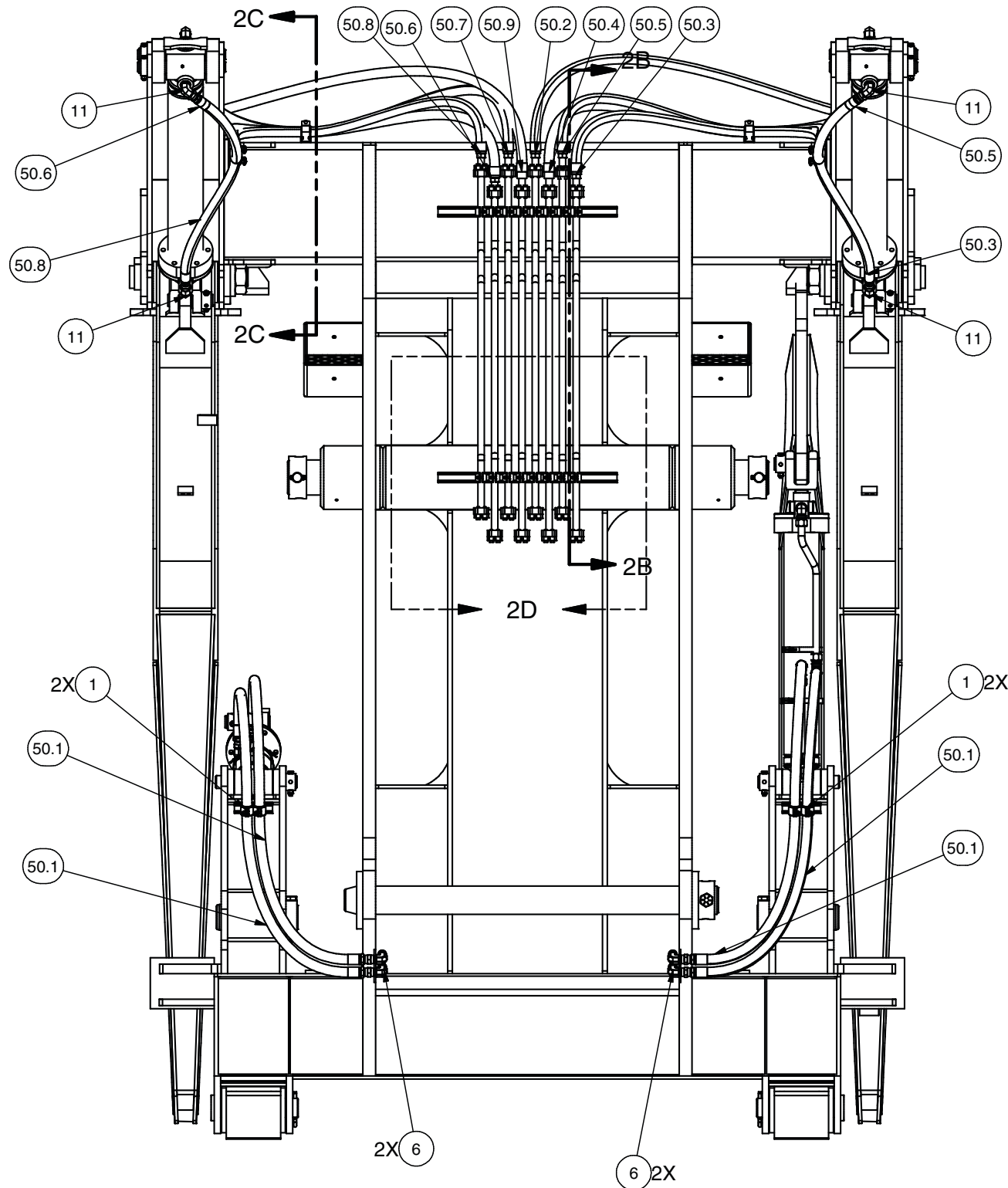
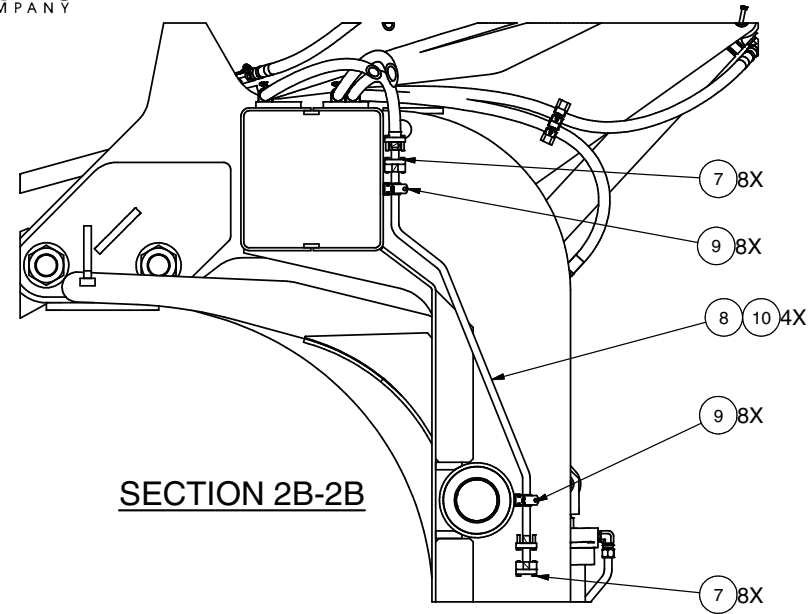

Hydraulic System - Carriage

Hydraulic System - Carriage

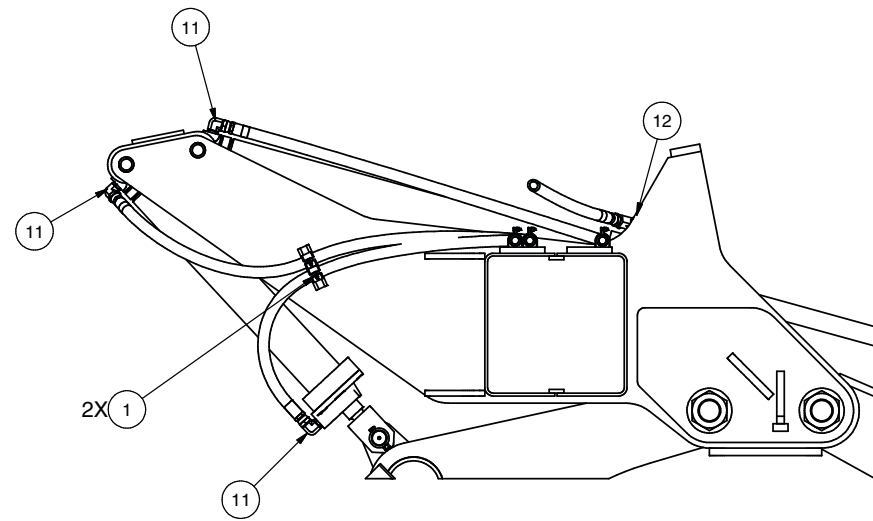
Item	Part No.	Qty	Description	Item	Part No.	Qty	Description
	588092		Hydraulic System - Carriage				
1	231248	14	. Clamp	14	22308	2	. Fitting
2	566573	2	. Tube Assembly	26	207245	2	. Clamp
3	562541	2	. Tube Assembly	27	R13803357	2	. Clamp
5	210069	4	. Fitting	50	591582	1	. Kit, Hose
6	210090	4	. Fitting	50.1	598896	4	.. Hose Assembly
7	11759	16	. Kit, Split Flange	50.2	598898	1	.. Hose Assembly
	203443	1	.. O-Ring	50.3	589430	1	.. Hose Assembly
8	588623	4	. Tube Weldment	50.4	589439	1	.. Hose Assembly
9	231250	16	. Clamp	50.5	589430	1	.. Hose Assembly
10	588622	4	. Tube Weldment	50.6	589430	1	.. Hose Assembly
11	225129	10	. Fitting	50.7	589439	1	.. Hose Assembly
12	21199	2	. Flow Control Valve	50.8	589430	1	.. Hose Assembly
13	209760	2	. Fitting	50.9	598898	1	.. Hose Assembly



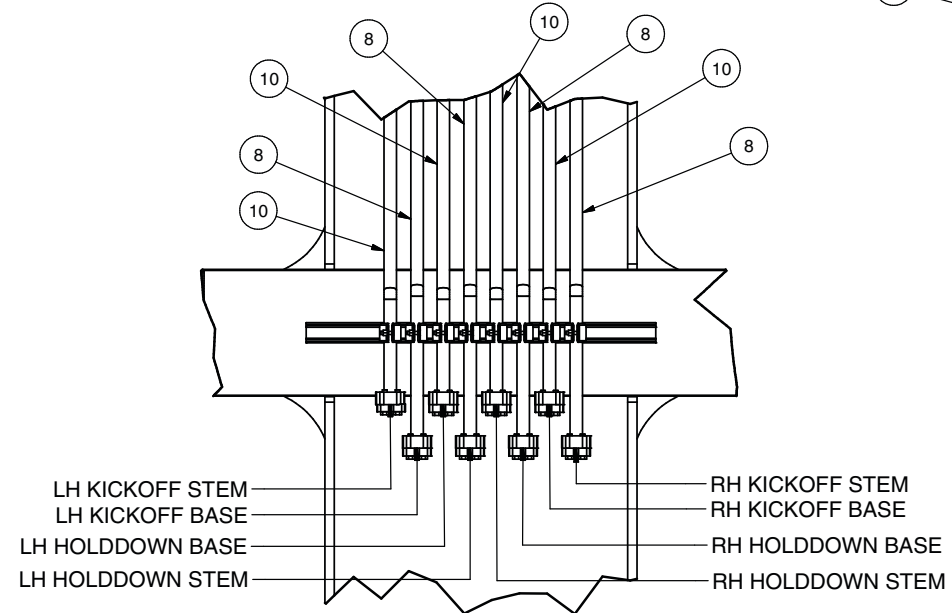
**AUX HOLDDOWN
DETAIL 1A
2 PLCS**



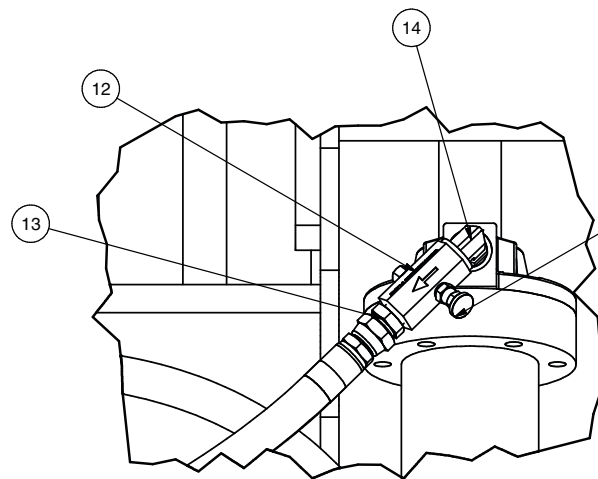
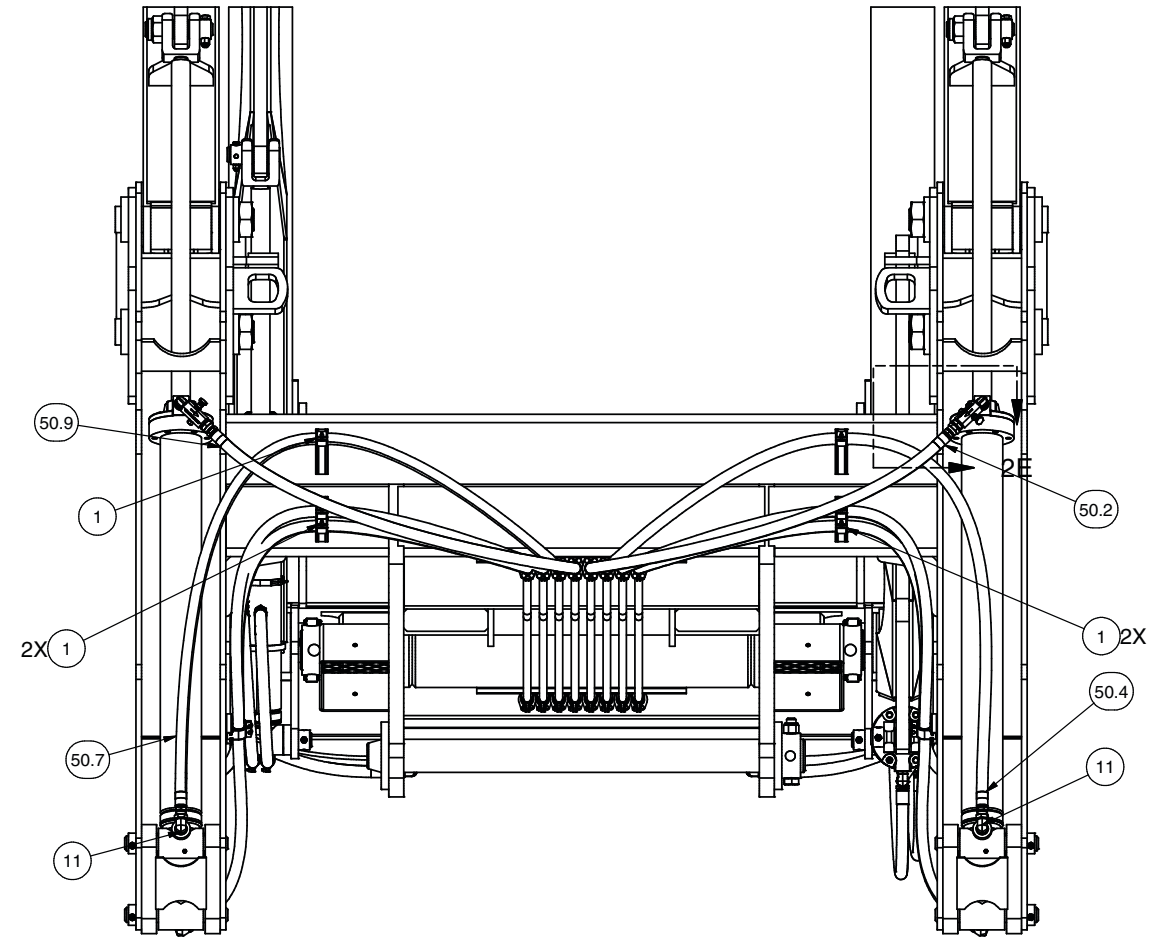
SECTION 2B-2B



SECTION 2C-2C
2 PLCS



DETAIL 2D



DETAIL 2E
2 PLCS

NOTE FLOW ARROW
FLOW IS CONTROLLED EXITING
CYLINDER ARROW DIRECTION
INDICATED DIRECTION OF
RESTRICTED FLOW

NOT ALL UNITS HAVE A FLOW CONTROL VALVE