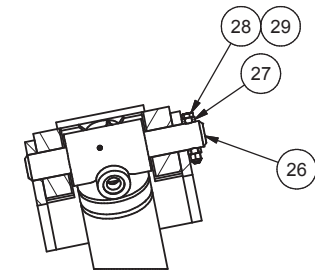

Carriage Assembly

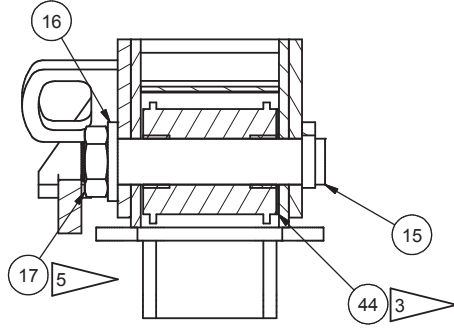
Carriage Assembly

Item	Part No.	Qty	Description	Item	Part No.	Qty	Description
	588050		Carriage Assembly				
1	588060	1	. Carriage Weldment	21	552409	2	. Pin
2	561170	2	. Bushing	22	552431	2	. Nut
3	588159	1	. Pin	23	512865	4	. Pin, Strg Cylinder
4	523107	1	. Pin	24	R13811153	2	. Capscrew
5	563280	2	. Pin	25	223188	2	. Locknut
6	563243	2	. Lock Collar	26	531543	4	. Pin
7	R13811039	4	. Capscrew	27	501774	4	. Lock Collar
8	223654	4	. Locknut	28	R13811083	10	. Capscrew
9	588130	2	. Tine Weldment	29	224202	10	. Nut, Esna
10	508737	2	. Pin Weldment	32	570270	2	. Plate,Stop
11	00427143	2	. Cotter Pin	36	523108	1	. Lock Collar
12	* 560937	2	. Holddown Arm Weldment	37	R13801922	1	. Capscrew
13	* 560229	2	. Kickoff Arm Weldment	38	220918	1	. Locknut
15	531586	4	. Pin Assembly	39	588160	1	. Arm
16	531588	4	. Plate,Spacer	40	536405	1	. Pin
17	219928	4	. Jam Nut	41	536403	1	. Pin
18	* 531565	2	. Cylinder Assembly, HD	42	09430341	1	. Capscrew
19	* 531671	4	. Cylinder Assembly, KO	43	R13803587	1	. Nut
				44	575299	4	. Shim
				45	Y.13HS-2.50X9.75	2	. Plate
				46	Y.25HS-2.50X9.75	2	. Plate
				47	531820	2	. Plate,Stop

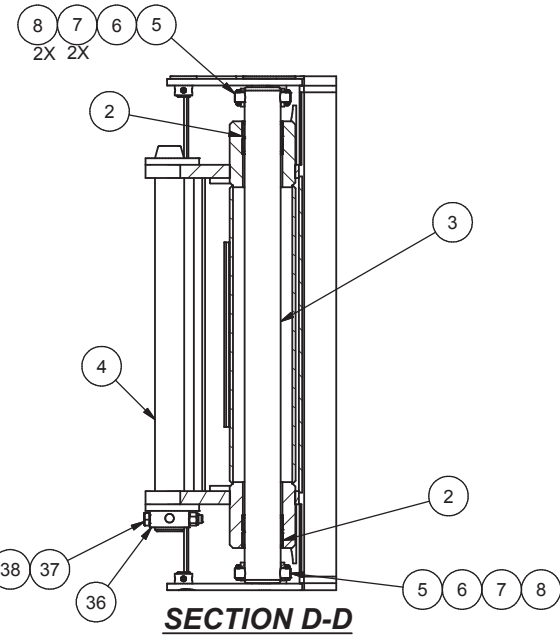
* See Separate Coverage
 NA Not Applicable



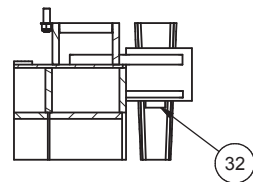
SECTION A-A
4 PLCS



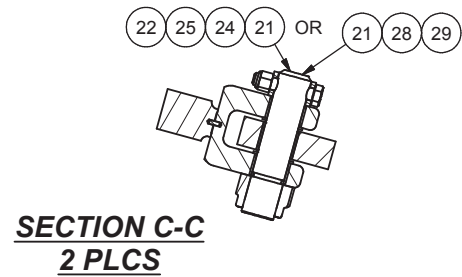
SECTION B-B
4 PLCS



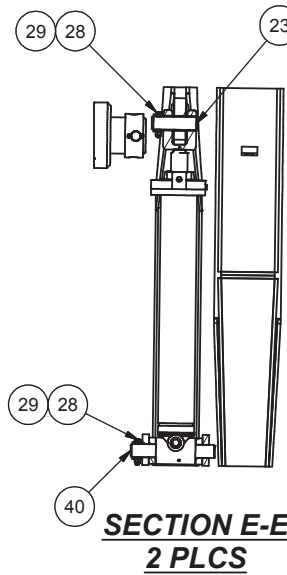
SECTION D-D



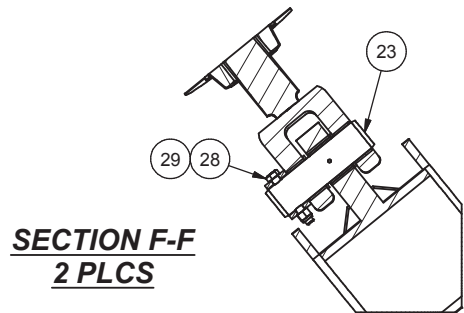
SECTION G-G
2 PLCS



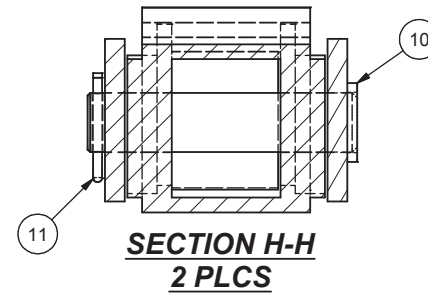
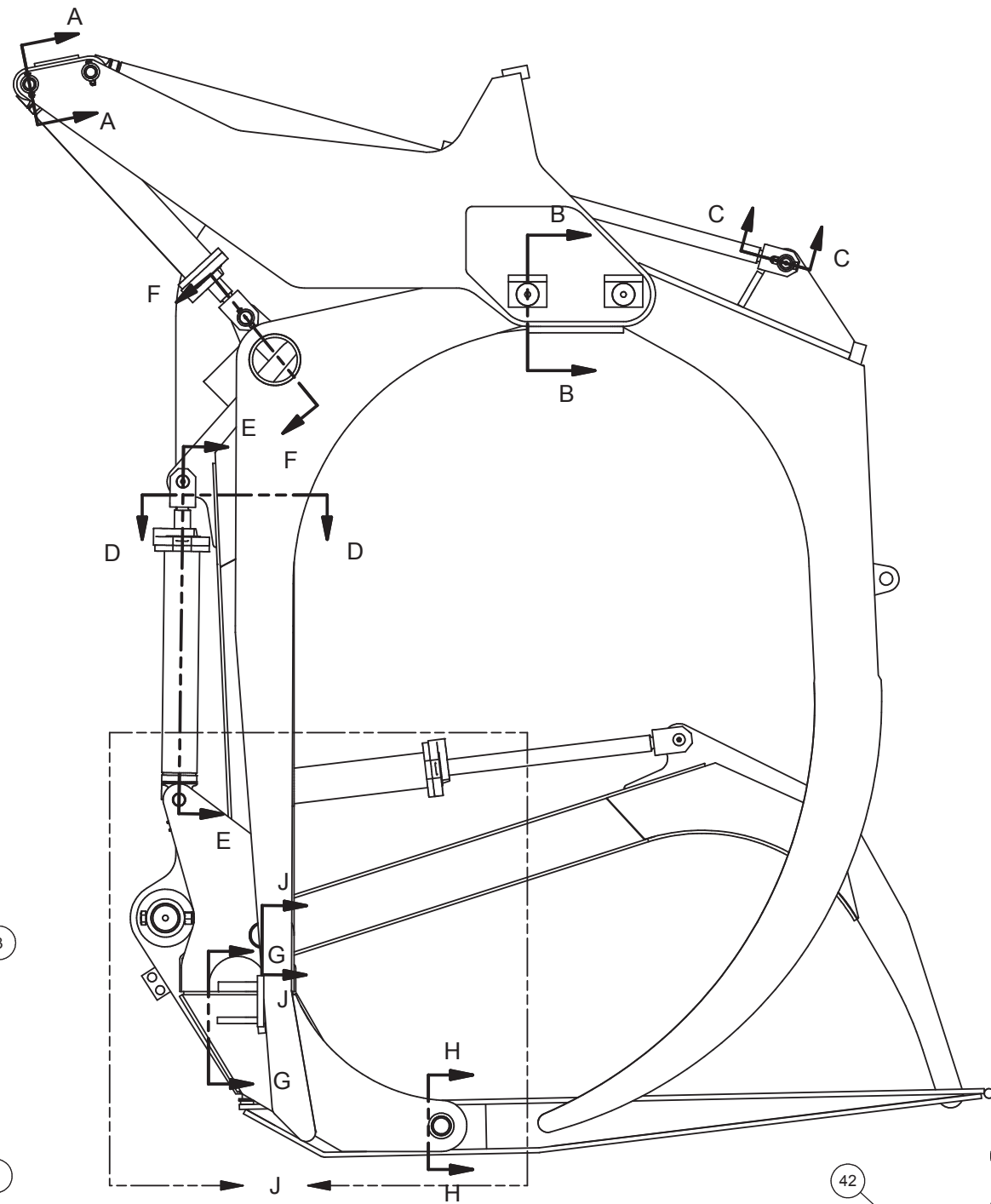
SECTION C-C
2 PLCS



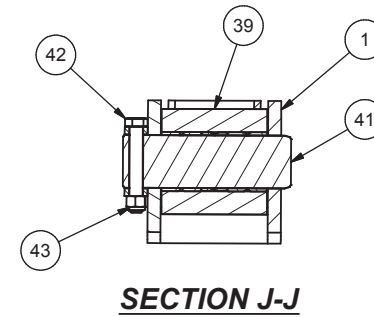
SECTION E-E
2 PLCS



SECTION F-F
2 PLCS



SECTION H-H
2 PLCS



SECTION J-J

