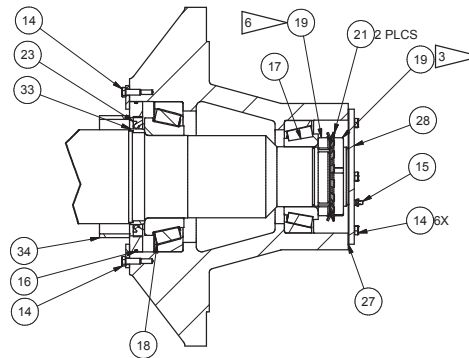
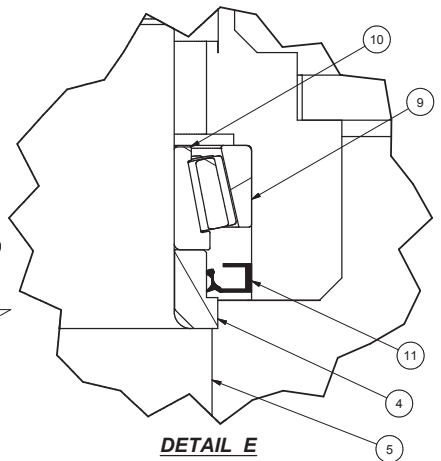
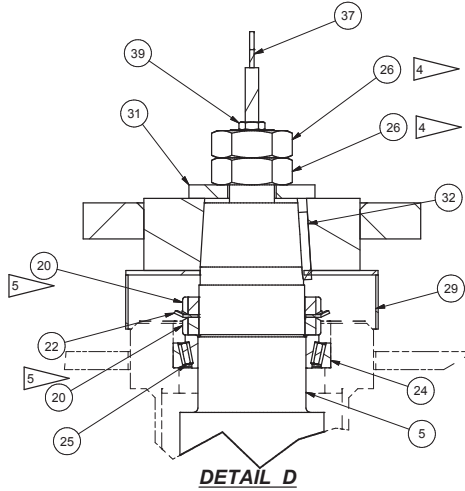
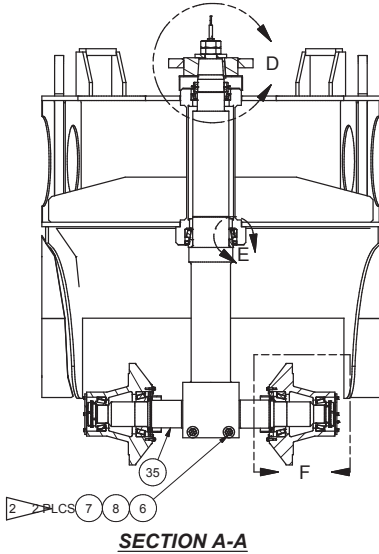
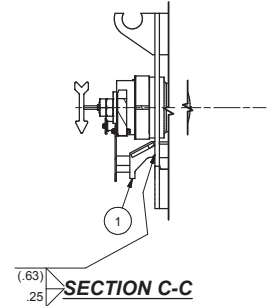
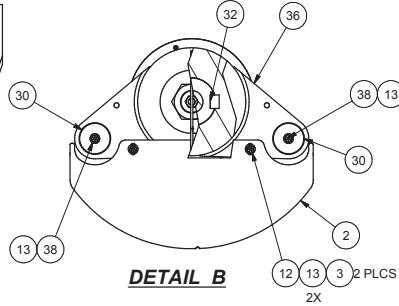
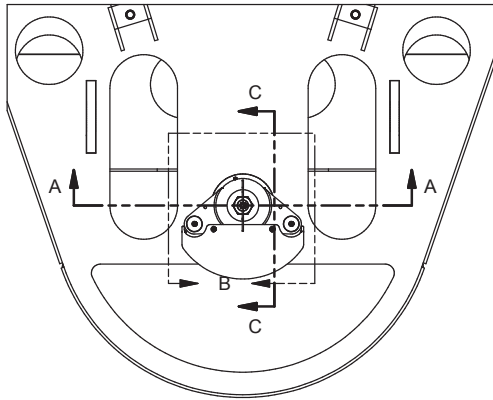

Tailpost Installation

Tailpost Installation

Item	Part No.	Qty	Description	Item	Part No.	Qty	Description
	587949		Tail Post Installation				
1	568843	1	. Steering Stop	19	207501	4	. Nut, Lock
2	568848	1	. Steering Stop Guard	20	207504	2	. Nut, Lock
3	224202	2	. Nut, Esna	21	* 207507	4	. Washer, Lock
4	568619	1	. Spacer	22	* 207510	1	. Washer, Lock
5	568618	1	. Tailpost	23	* 208870	2	. Seal
6	238913	2	. Capscrew	24	* 212198	1	. Bearing Cup
7	225178	2	. Washer, Hard	25	* 212199	1	. Bearing Cone
8	234989	2	. Nut, Lock;	26	220221	2	. Nut, Jam
9	* 214471	1	. Bearing Cup	27	* 574679	2	. Gasket
10	* 234204	1	. Bearing Cone	28	574678	2	. PL, Dustcap
11	* 214464	1	. Seal	29	501248	1	. Dust Cap Assy
12	R13811083	2	. Capscrew	30	501254	2	. Steering Cyl Cap
13	223690	4	. Washer, Flat	31	530618	1	. Washer
14	Y17c-0616	16	. Capscrew	32	505370	1	. Key
15	00191758	2	. Fitting, Lube	33	508834	2	. Tube, Seal Race
16	* 203564	2	. O-Ring	34	508842	2	. Wldmnt, Seal Retainer
17	* 240839	2	. Bearing-Cone	35	574677	1	. Axle - Tailfork
18	* 204603	2	. Bearing Cone	36	544649	1	. Wldmnt, Steering Arm
				37	503383	1	. Weldment, Indicator
				38	Y18C-0820	2	. Capscrew
				39	247008	1	. Nut

* Included in Tailpost Kit: 588726

Tailpost Installation



- NOTES:**
- 1 LOCATE THE STEERING STOP SO THAT EACH STEERING CYLINDER HAS APPROXIMATELY 1/3 OF UNUSED CYLINDER STROKE WHEN RETRACTED. EACH EAR OF THE TILLER ARM SHOULD MAKE EQUAL CONTACT WITH THE STOP.
 - 2 AFTER THE AXLE HAS BEEN INSERTED INTO THE TAILPOST SO THAT IT STOPS AGAINST ITS LARGEST DIAMETER INSTALL HARDWARE. WASHER MUST BE INSTALLED UNDER NUT. TORQUE CAPSCREW TO 750-800 FT-LBS.
 - 3 TORQUE 1500-1800 FT-LBS
 - 4 TORQUE TO 800-1000 FT-LBS
 - 5 TORQUE TO 2400 FT-LBS
 - 6 SEE PROCEDURE 80-119 FOR TAILPOST INSTALLATION

INSTRUCTIONS-TAILFORK INSTALLATION

SEE PROCEDURE 80-119 FOR EXTENDED INSTRUCTIONS

- 1) SEAT THE BEARING CUPS INTO THE TAILPOST HOUSING. CHECK WITH FEELER GAUGE TO INSURE PROPER SEATING OF THE BEARING CUPS.
- 2) CHECK FITTING OF BOTH BEARINGS TO THEIR RESPECTIVE POSITIONS ON THE TAILPOST. THEN PACK BEARINGS WITH GREASE.
- 3) INSTALL ITEM 4, BEARING SPACER, ON THE TAILPOST AS SHOWN WITH THE LARGER DIAMETER TOWARD THE AXLE END OF THE TAILPOST.
- 4) SLIDE THE LOWER GREASE SEAL ON THE TAILPOST WITH THE LIP TOWARDS THE BEARING. THE SEAL IS TO BE INSTALLED ON THE BEARING SPACER.
- 5) INSTALL THE LOWER BEARING ON THE TAILPOST TO THE BEARING SPACER. PACK GREASE IN A CONE SHAPE ABOVE THE BEARING. TO PREVENT RUST LIGHTLY COVER THE PART OF THE TAILPOST THAT WILL BE INSIDE THE HOUSING WITH GREASE. (TO PREVENT RUST)
- 6) INSTALL A LIFTING EYE AND LIFT THE TAILPOST INTO THE CHASSIS TAILPOST HOUSING TO SEAT THE LOWER BEARING TO THE LOWER BEARING CUP IN THE TAILPOST HOUSING.
- 7) BLOCK UP BELOW THE TAILPOST AND REMOVE LIFTING EYE.
- 8) INSTALL THE LOWER GREASE SEAL WITH THE LIP TOWARDS THE INSIDE. THE BOTTOM OF THE SEAL WILL BE 1/8" PAST BOTTOM EDGE OF HOUSING.
- 9) INSTALL THE TOP BEARING INTO THE TOP CUP.
- 10) INSTALL THE FIRST LOCK NUT WITH THE BEVEL SIDE UP, SEE NOTE 5.
- 11) INSTALL THE LOCK WASHER, (ITEM 10).
- 12) INSTALL THE SECOND LOCK NUT WITH THE BEVEL SIDE DOWN, SEE NOTE 5.
- 13) BEND THE LOCK WASHER TABS TO SECURE THE LOCK NUTS
- 14) PACK THE TOP AREA WITH GREASE AND INSTALL THE DUST CAP COVER.
- 15) HEAT THE STEERING ARM TO 400F - 500F AND INS TALL THE STEERING ARM ON THE TAILPOST WITH THE KEY AND THE FLAT WASHER.
- 16) INSTALL THE FIRST TOP NUT. SEE NOTE 4.
- 17) INSTALL THE SECOND TOP NUT. SEE NOTE 4.