

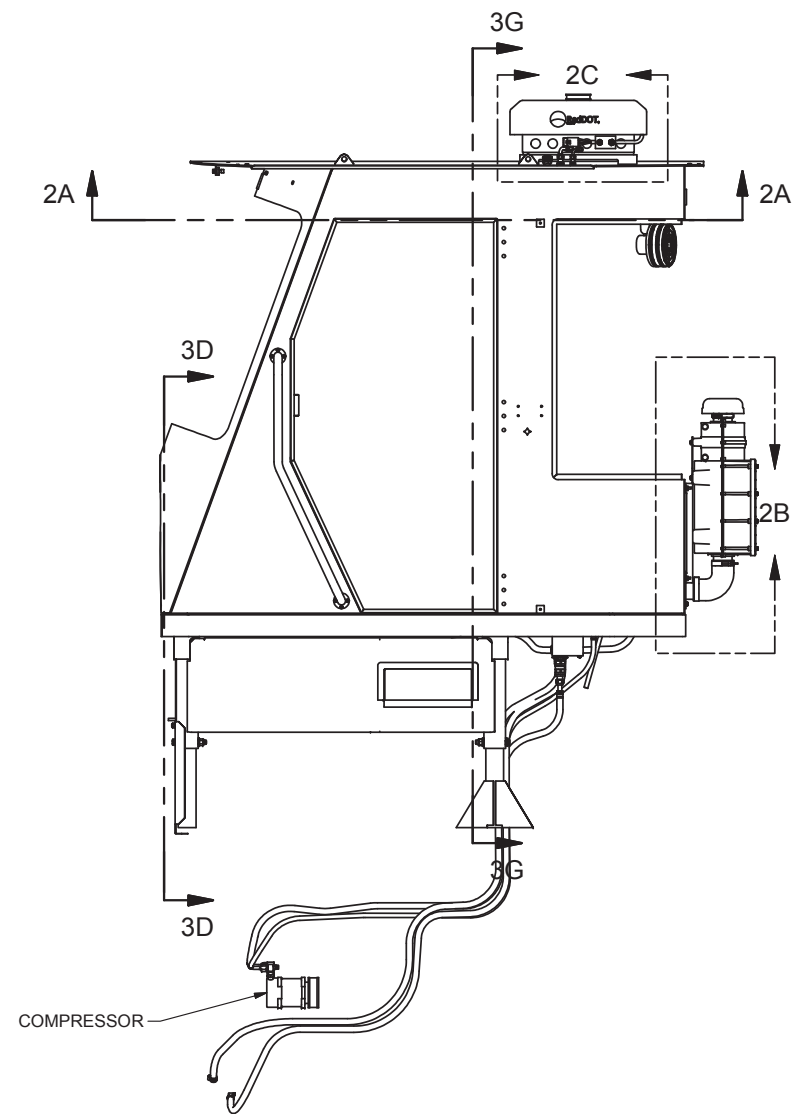
---

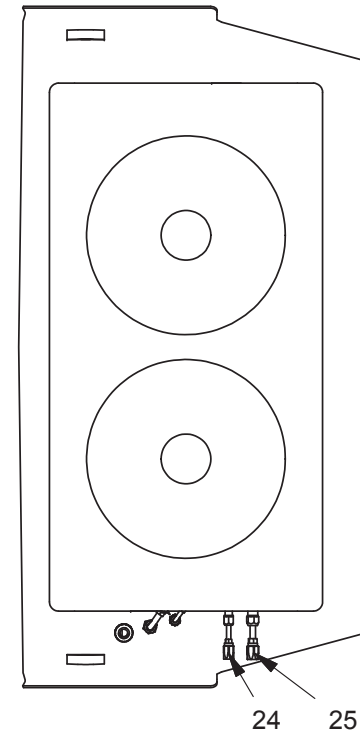
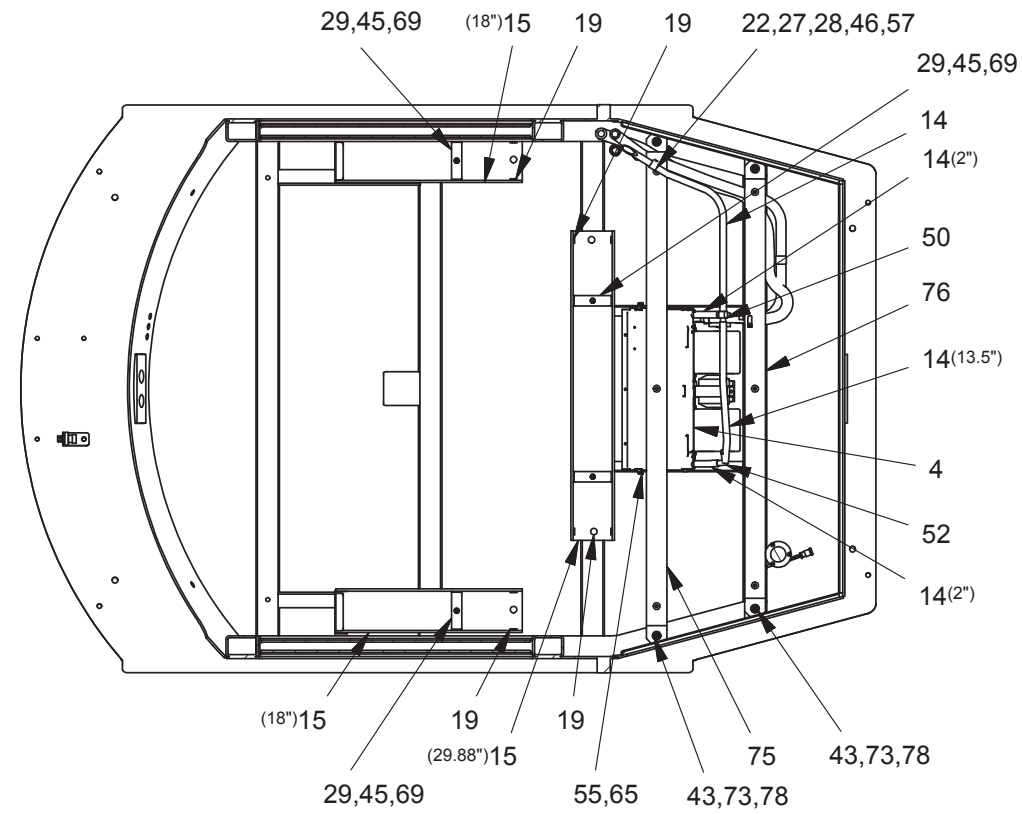
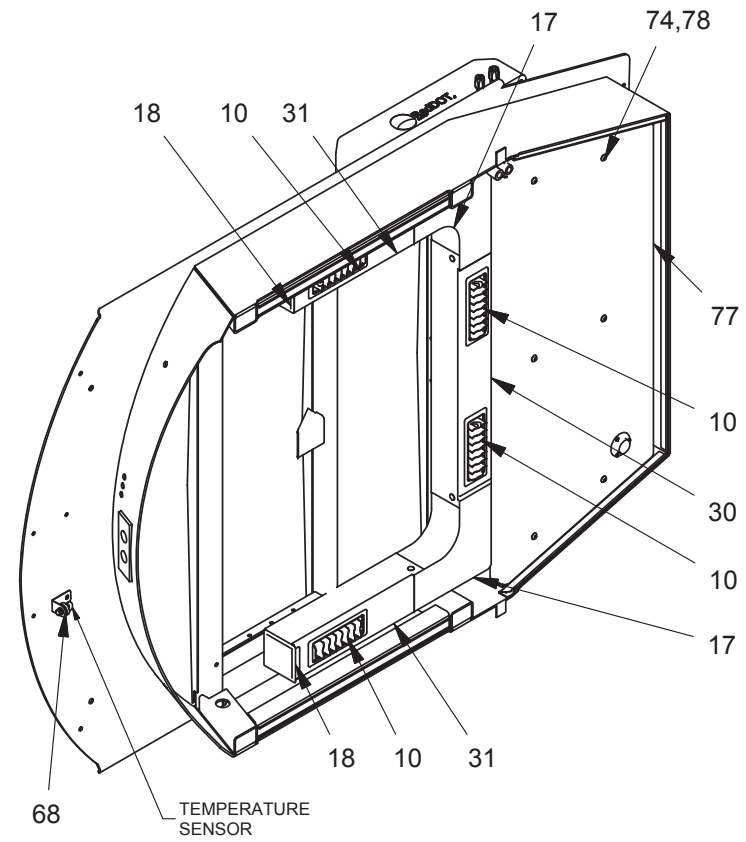
Air Conditioner, Heater, Compressor

## Air Conditioner, Heater, Compressor

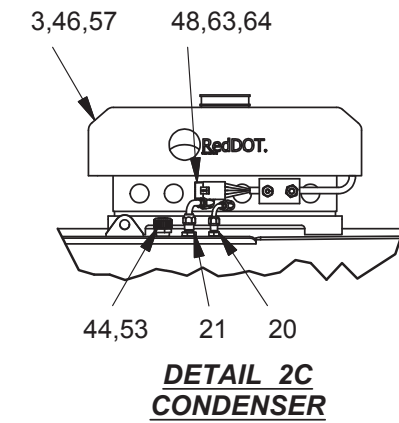
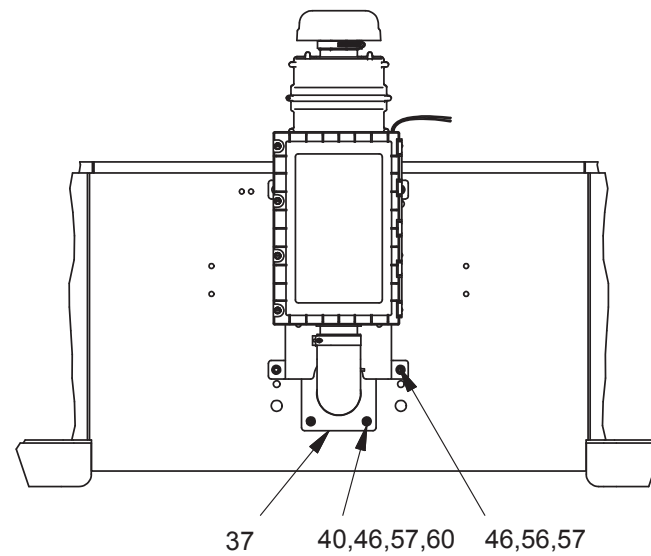
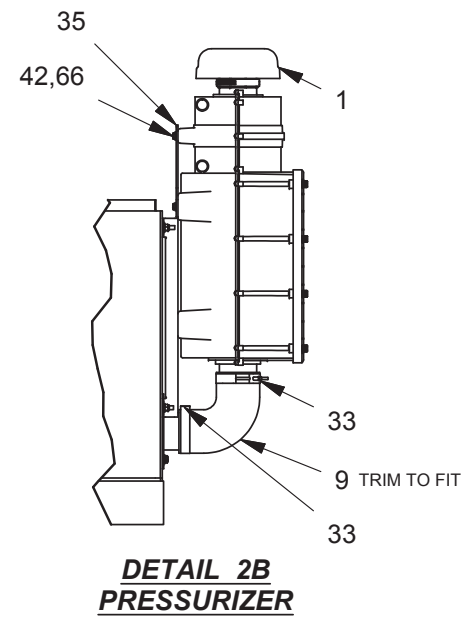
Item	Part No.	Qty	Description	Item	Part No.	Qty	Description
	<b>587906</b>		<b>Air Conditioner, Heater, Comp</b>				
1	* 258677	1	. Pressurizer	43	221767W	12	. Washer
	258699	1	. High Capacity Filter Element	44	223759	1	. Connector, Cord
2	258676	1	. Plenum, Outlet	45	224120W	4	. Capscrew
3	* 258674	1	. Condenser, Remote	46	R13811190	16	. Locknut
4	* 258675	2	. Air Cond/Heater	47	237010	19'	. Hose, Heater
7	258671	1	. Fitting	48	238160	2	. Connector, Wire
8	258672	1	. Fitting	49	239025	2	. Fitting
9	245394	1	. Elbow, Rubber	50	245498	2	. Tee, Nylon
10	258705	4	. Louver, Rect	51	245663	6'	. Hose, Defroster
14	245275	12'	. Tube, Flex	52	254487	2	. Elbow
15	258715	67"	. Duct, Fiber	53	256667	10'	. Cord, Sdn
17	258717	2	. Elbow	55	296417W	16	. Hard Washer
18	258718	2	. End Cap	56	R1318360	6	. Stud, Weld
19	258719	12	. Rivet, Snap	57	R13802914	22	. Hard Washer
20	252077	1	. Fitting	58	201431	6	. Hose Clamp
21	259104	1	. Fitting,Bulkhead	59	R13810996	2	. Capscrew
22	R13801791	2	. Capscrew	60	R13811014	5	. Capscrew
23	223657	1	. Lockwasher	61	R13811189	2	. Locknut
24	259149	1	. Hose Assembly	62	R13811191	4	. Locknut
25	259150	1	. Hose Assembly	63	R740866	7	. Pin, Male
26	R13803051	2	. Clip	64	R740867	7	. Seal, Wire
27	209588	1	. Clip, Insul	65	Y09C-M0616	8	. Capscrew
28	R13810035	3	. Clamp	66	18460W	5	. Capscrew
29	223871	4	. Lockwasher	67	45990069	4IN	. Nylatron Rod
30	586628	1	. Cover,Duct	68	586853	1	. Bracket,Sensor
31	586629	2	. Cover,Duct	69	586847	4	. Plate, Stiff
32	586739	1	. Hose Assembly	70	561831	1	. Plate
33	R13809945	2	. T-Bolt Clamp	71	586951	1	. Hose Assembly
34	586768	1	. Bracket	72	* 586865	1	. Line Set Installation
35	586769	1	. Plate,Mounting	73	Y17C-0616	4	. Capscrew
36	238385	1	. Gasket Assembly	74	R13812831	6	. Capscrew
	587645	1	. Retainer	75	588177	1	. Plate, Mounting
	587646	1	. Gasket	76	588178	1	. Plate, Mounting
37	586771	1	. Coupling Weldment	77	588175	1	. Cover Plate
38	259357	8	. Clamp,Hose	78	241059	10	. Insert
39	259356	36'	. Hose,Heater	79	589053	1	. Fan , Defrost
40	214479	4	. Seal	80	00109451	3	. Machine Screw
41	221499W	4	. Capscrew	81	00190637	3	. Nut
42	221763W	9	. Washer				

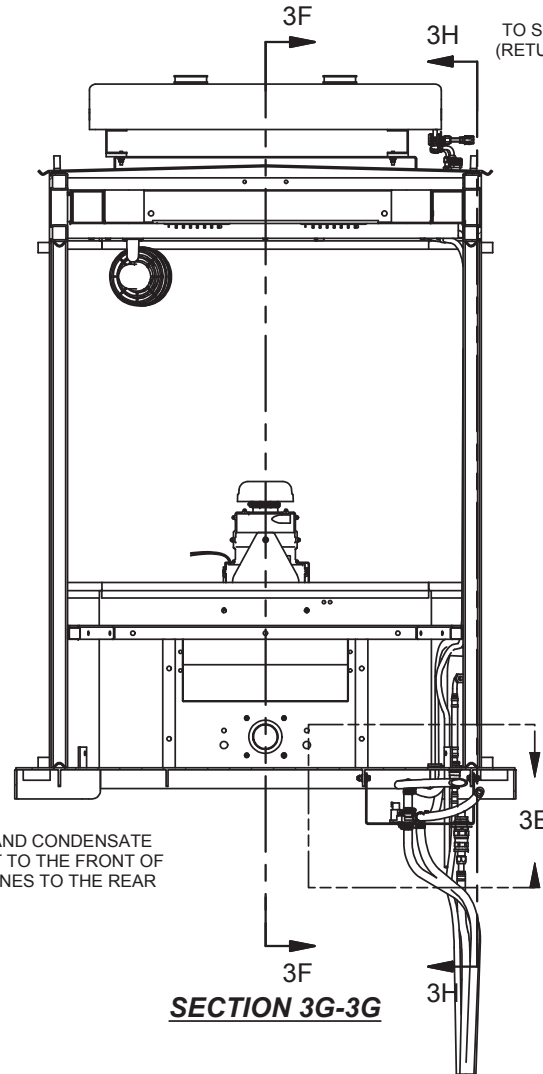
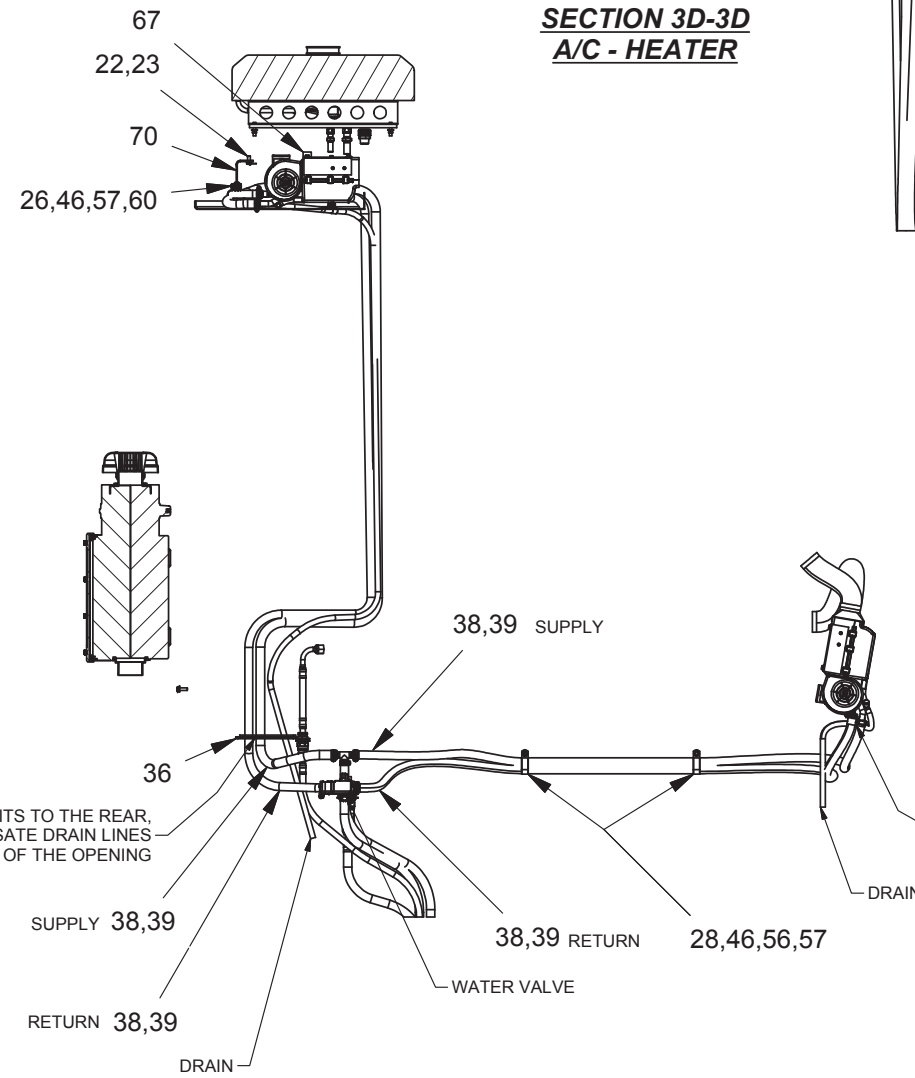
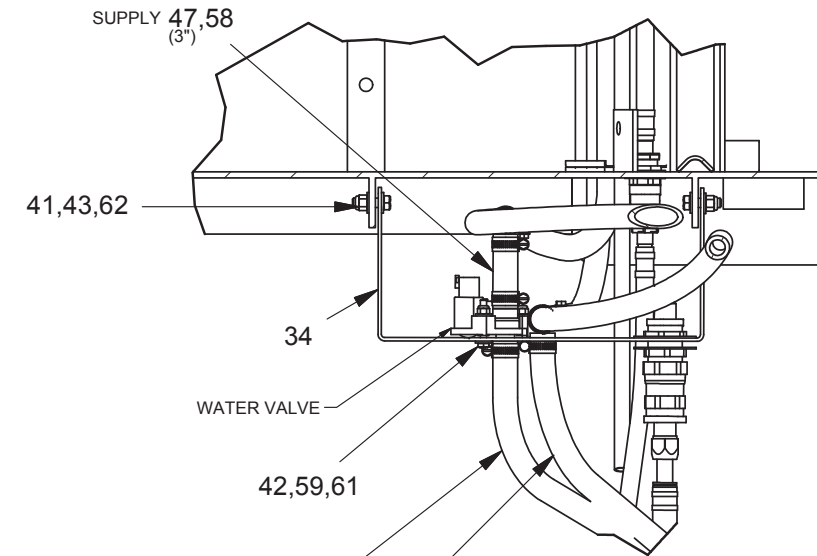
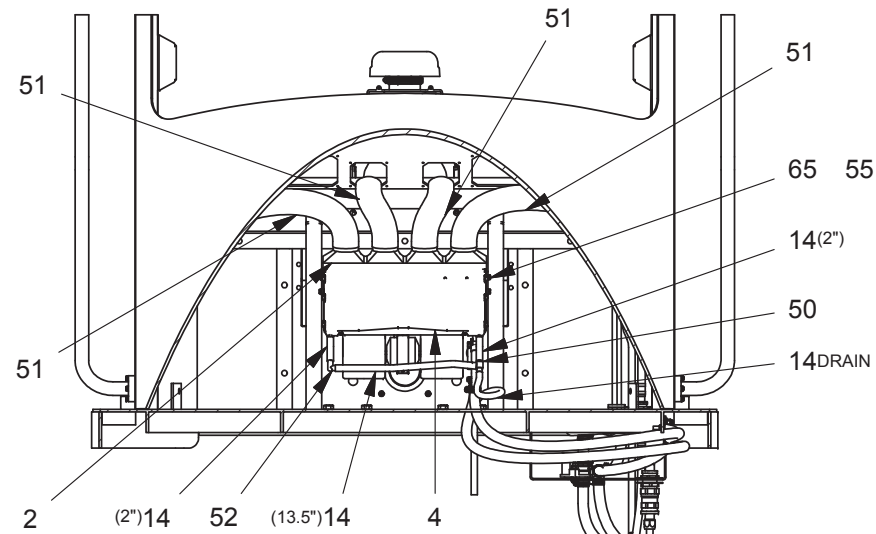
\* See Separate Coverage





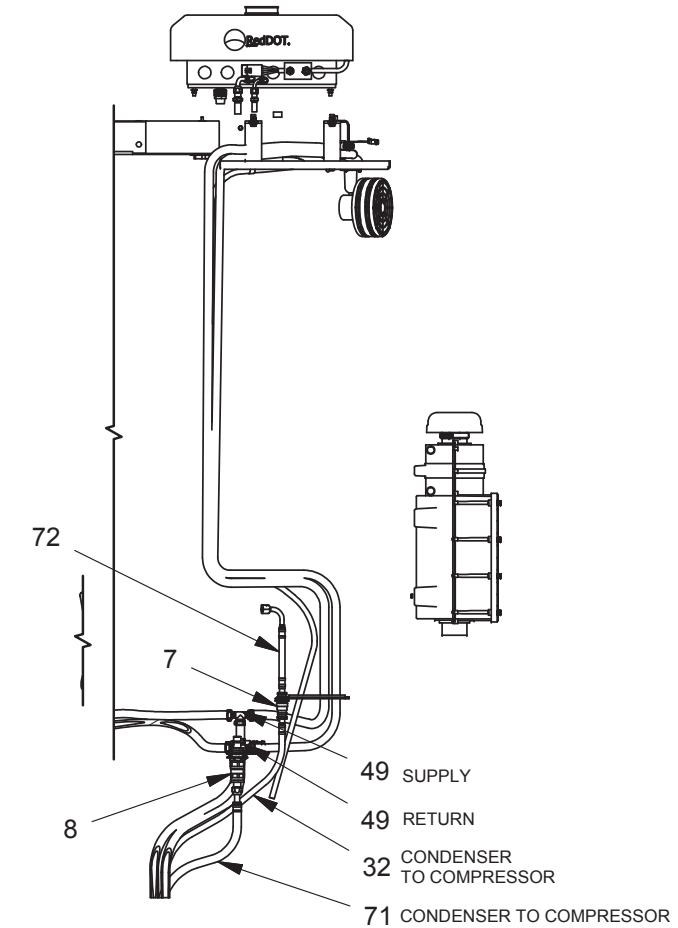
**SECTION 2A-2A**  
**A/C - HEATER**  
**BEAUTY COVER & DUCTING REMOVED**





TO SHUT-OFF VALVE (HEATER CORES) SUPPLY 47,58  
TO SHUT-OFF VALVE (RETURN TO ENGINE) RETURN 47,58

**DETAIL 3E  
WATER VALVE**



**SECTION 3H-3H**

**SECTION 3F-3F  
WATER VALVE**

**SECTION 3G-3G**