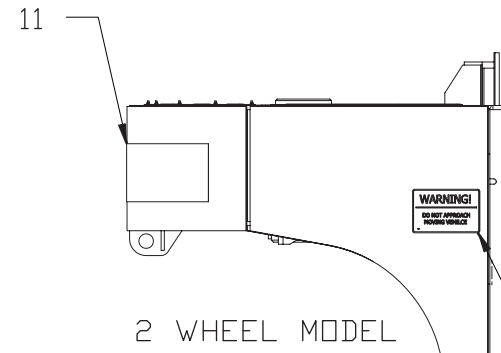
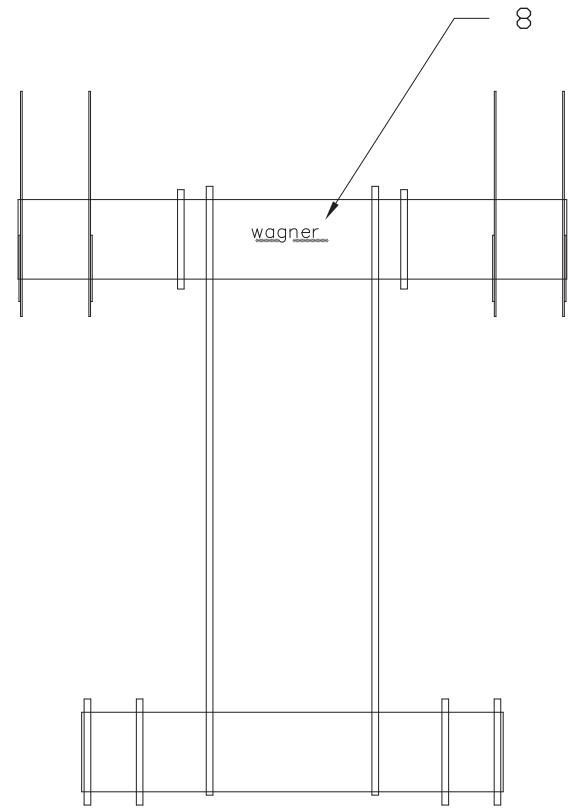

Decal Locations

Decal Locations

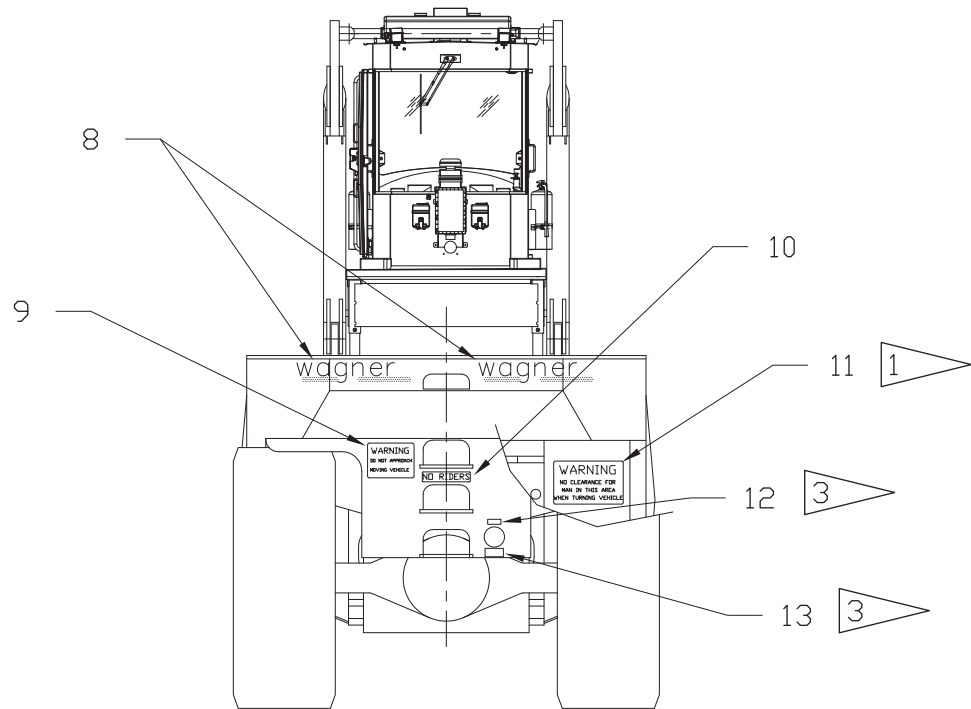
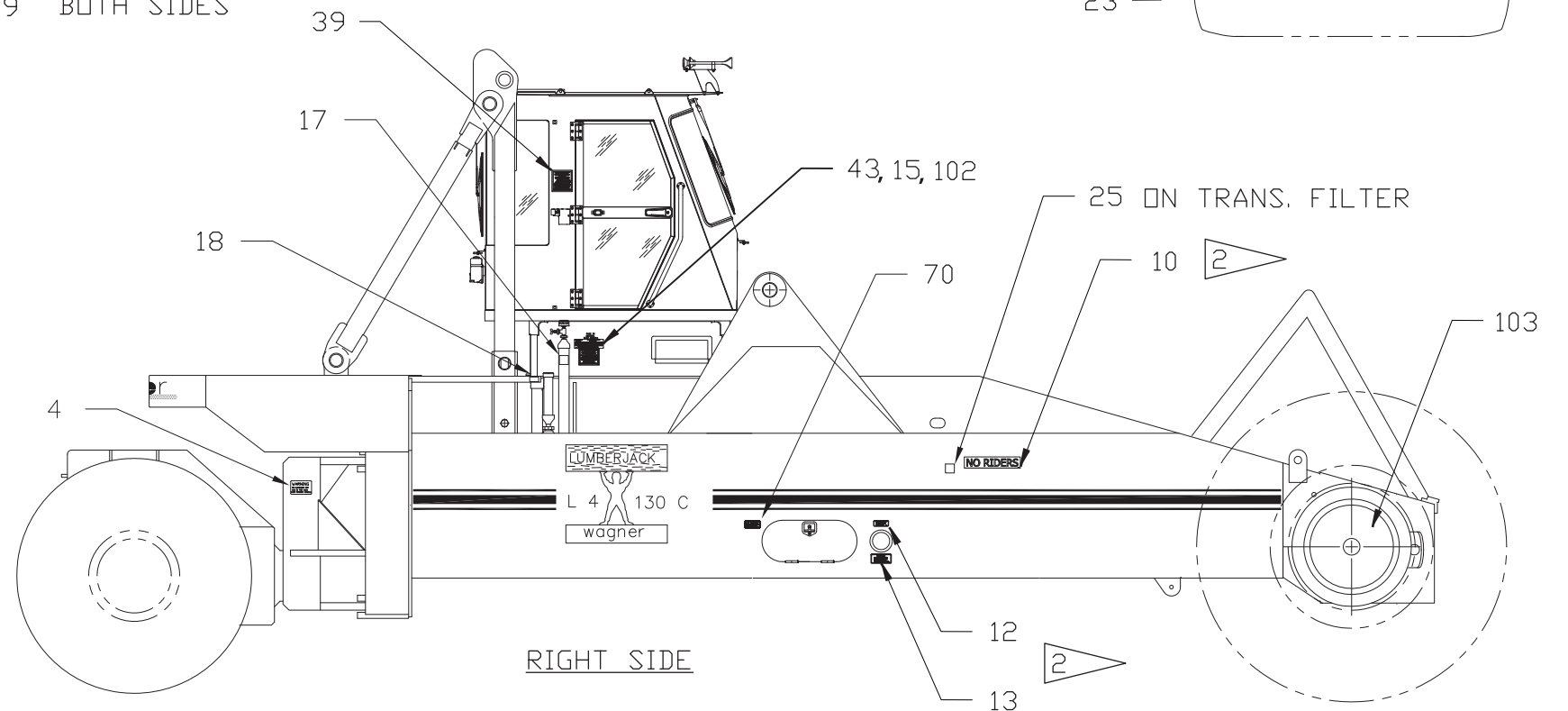
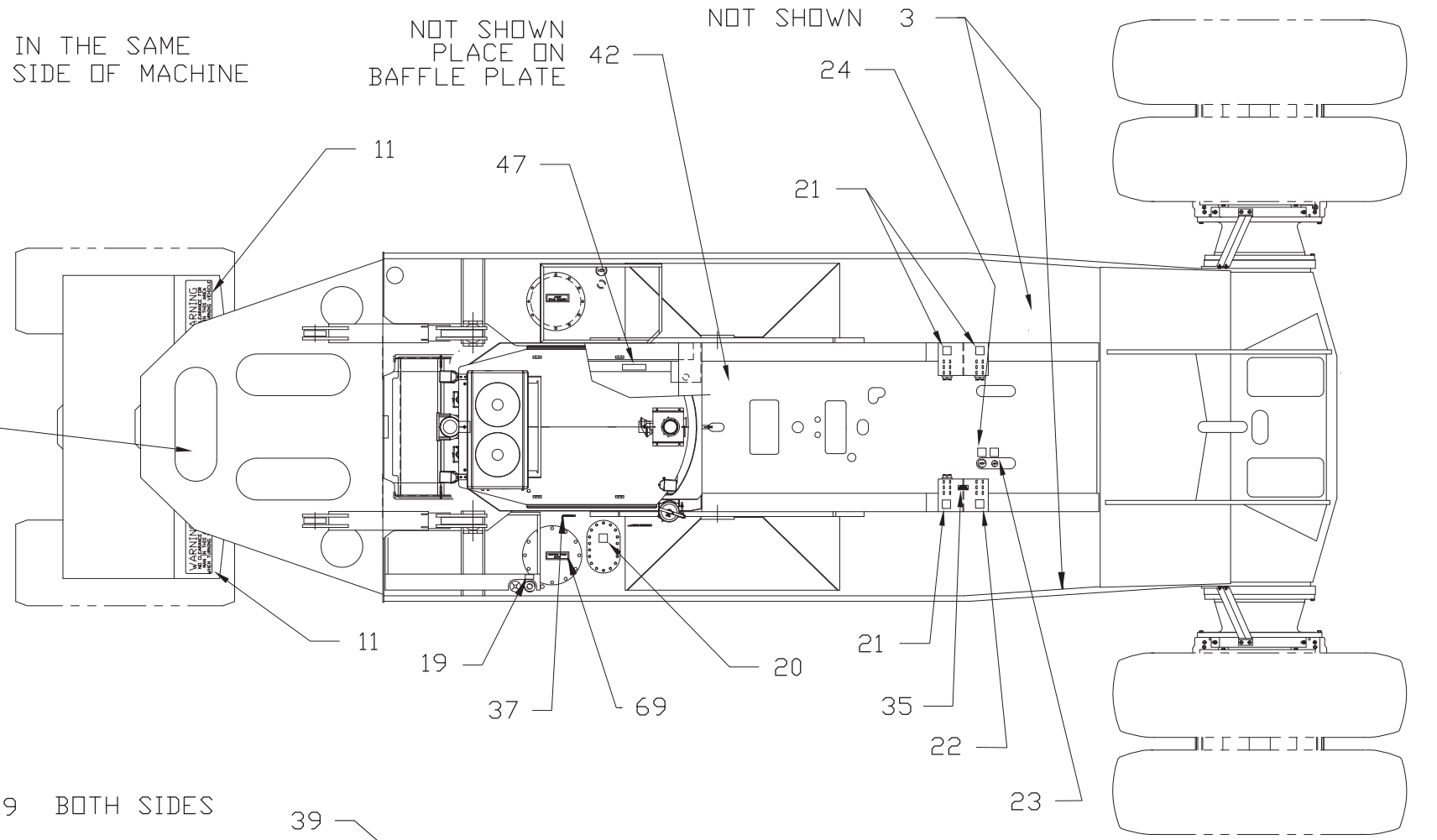
Item	Part No.	Qty	Description	Item	Part No.	Qty	Description
	587899		Decal List				
1	558504	2	. Decal, Logger	43	587109	1	. Nameplate, Emission Control
2	557352	1	. Decal, Pressurized Breather	64	583564	1	. Decal, Strainer Element
3	219382	1RL	. Tape, Non-Skid	69	572863	2	. Decal, Confined Space Entry
5	529474	50'	. Decal, Racing Stripe, 6"	70	576856	3	. Decal, Warning...Welding
6	563640	1	. Decal, Oil Fill	72	* 587058	1	. Label, Implement Pump Inlet
7	504195	1	. Nameplate, Diesel Fuel	73	* 587059	1	. Label, Steering Pump Inlet
8	558506	3	. Decal, Wagner, 7.5 x 30	74	* 587060	1	. Label, Tilt Pump Inlet
9	547451	2	. Decal, Warning	75	* 587061	1	. Label, Radiator Fan Pump Inlet
10	547453	2	. Decal, No Riders	76	* 587062	1	. Label, Tilt Pump Pressure
11	558505	1	. Decal, Wagner, 14 x 60	77	* 587065	1	. Label, Rad. Fan Pump Pressure
12	539197	2	. Decal, Fire Extinguisher	78	* 587066	1	. Label, Implement Pump Pressure
13	539226	2	. Decal, Fire Extinguisher	79	* 587067	1	. Label, Steering Pump Pressure
14	587028	1	. Nameplate, Load Capacity	80	* 587068	1	. Label, Brake Pump Pressure
15	558098	1	. Plate, Serial #	81	* 587069	1	. Label, Orbitrol Supply Pressure
17	560276	1	. Decal, Tank Pressure	82	* 587070	1	. Label, Brake System Pressure
18	504197	1	. Nameplate, Hydraulic Oil	83	* 587071	1	. Label, Pilot System Pressure
19	561918	1	. Decal, Strainer	84	* 587072	1	. Label, Brake Cooling Inlet
20	557353	1	. Decal, Filter Pressure	85	* 587073	1	. Label, Brake Cooling Return
21	587606	3	. Decal, Element 587386	86	* 587090	1	. Label, Steering Filter
22	587607	1	. Decal, Filter Element 587384	87	* 587091	1	. Label, Main Filter
23	557118	1	. Decal, Trans Oil Fill	88	* 587092	1	. Label, Brake/Pilot Filter
24	528880	2	. Decal, Trans Oil Level/Idle	89	* 587093	1	. Label, Hydraulic Cool Fan Filter
25	579532	1	. Decal, Replace...Element 247429	90	* 587094	1	. Label, Rad/Cac Fan Filter
27	523145	2	. Decal, Log	91	* 587095	1	. Label, Transmission Pressure
28	247429	2	. Element	92	* 587096	1	. Label, Converter In Pressure
29	557494	1	. Decal, Battery Disconnect	93	* 587097	1	. Label, Converter Out Pressure
30	505158	1	. Decal, Tans Instruction	94	* 587098	1	. Label, Strainer In Pressure
31	565935	2	. Decal, "L"	95	* 587099	1	. Label, Strainer Out Pressure
34	565933	2	. Decal, "B"	96	* 587100	1	. Label, Trans Lube Pressure
35	562250	1	. Decal, Filter Restriction	97	* 587101	1	. Label, Forward Clutch Pressure
37	563641	1	. Decal, Oil Check	98	* 587102	1	. Label, Reverse Clutch Pressure
38	557341	1	. Decal, Read Operator's Manual	99	* 587103	1	. Label, Return Filter
39	586693	1	. Nameplate, FOPS	100	* 587104	1	. Label, Transmission Filter
40	505159	1	. Decal, Wheel Nut	101	* 587105	1	. Label, Transmission Strainer
41	504204	1	. Decal, Caution,Do Not Reverse	102	FD70000434	2	. Decal, Manufactured in USA
42	560278	2	. Decal, Caution, Baffle Plate				

* These Items Are Test Port & Filter Labels. See ANSI Hydraulic Schematic & Hydraulic System Transmission Documentation For Port And Filter Locations.

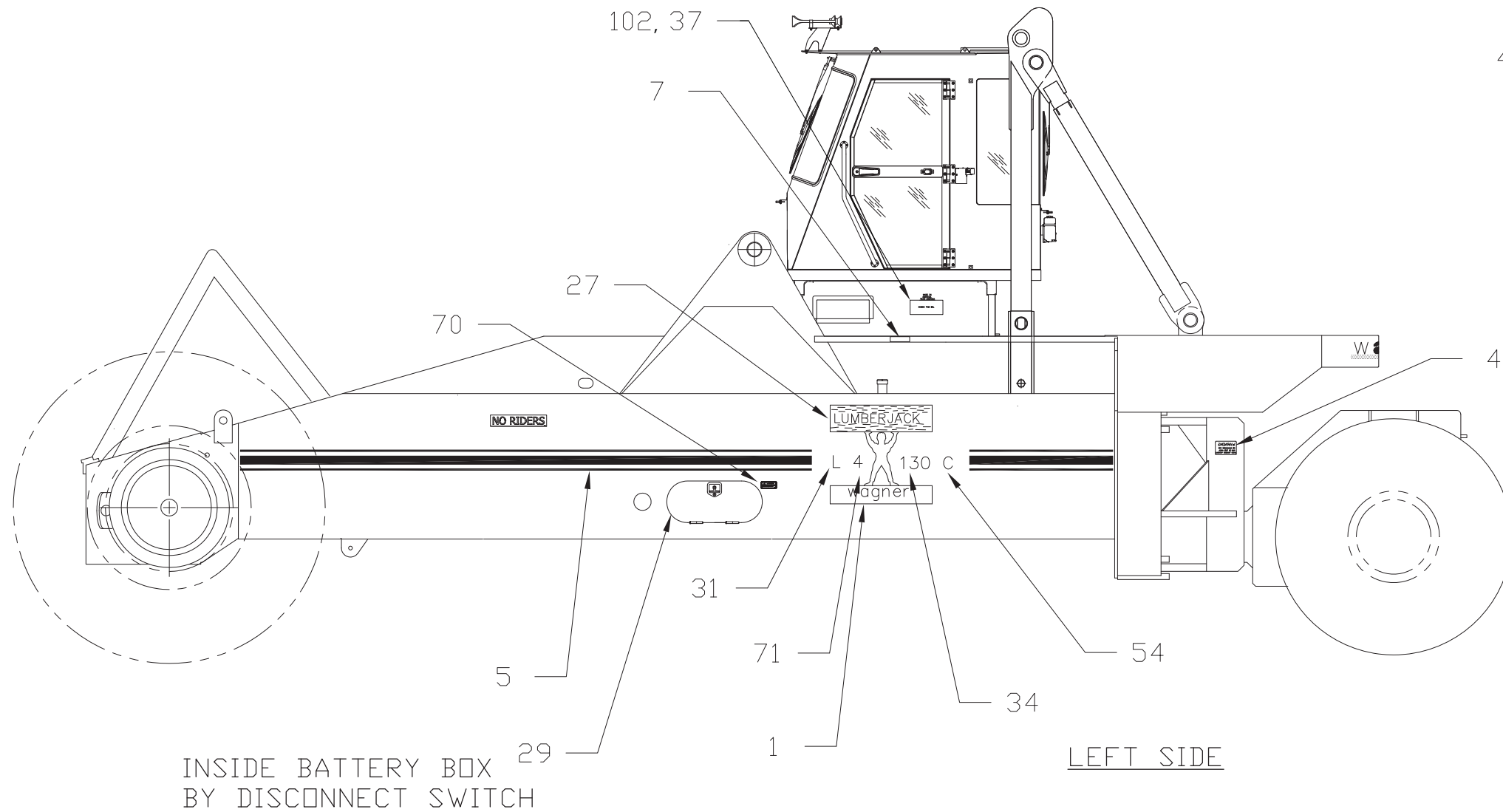
- 3 4WD MODEL ONLY
- 2 2WD MODEL ONLY
- 1 P/N 545430 ALSO GOES IN THE SAME LOCATION ON THE LEFT SIDE OF MACHINE



2 WHEEL MODEL

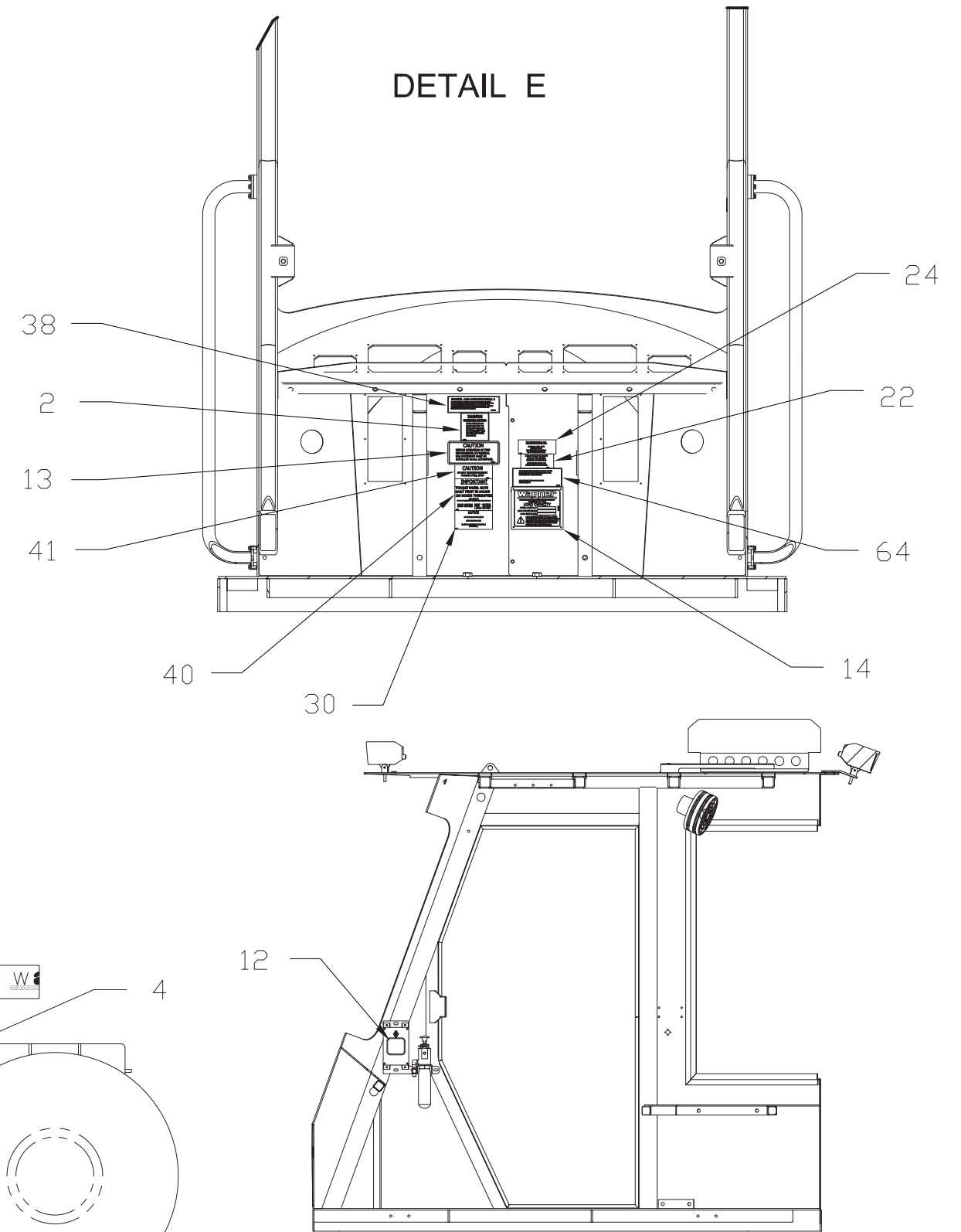


4 ITEM 72-101 ARE TEST PORT & FILTER DECALS. USE THE ANSI HYDRAULIC SCHEMATIC & HYDRAULIC SYSTEM TRANSMISSION DOCUMENTATION FOR PORT AND FILTER LOCATIONS'



INSIDE BATTERY BOX
BY DISCONNECT SWITCH

LEFT SIDE



INSIDE RIGHT VIEW