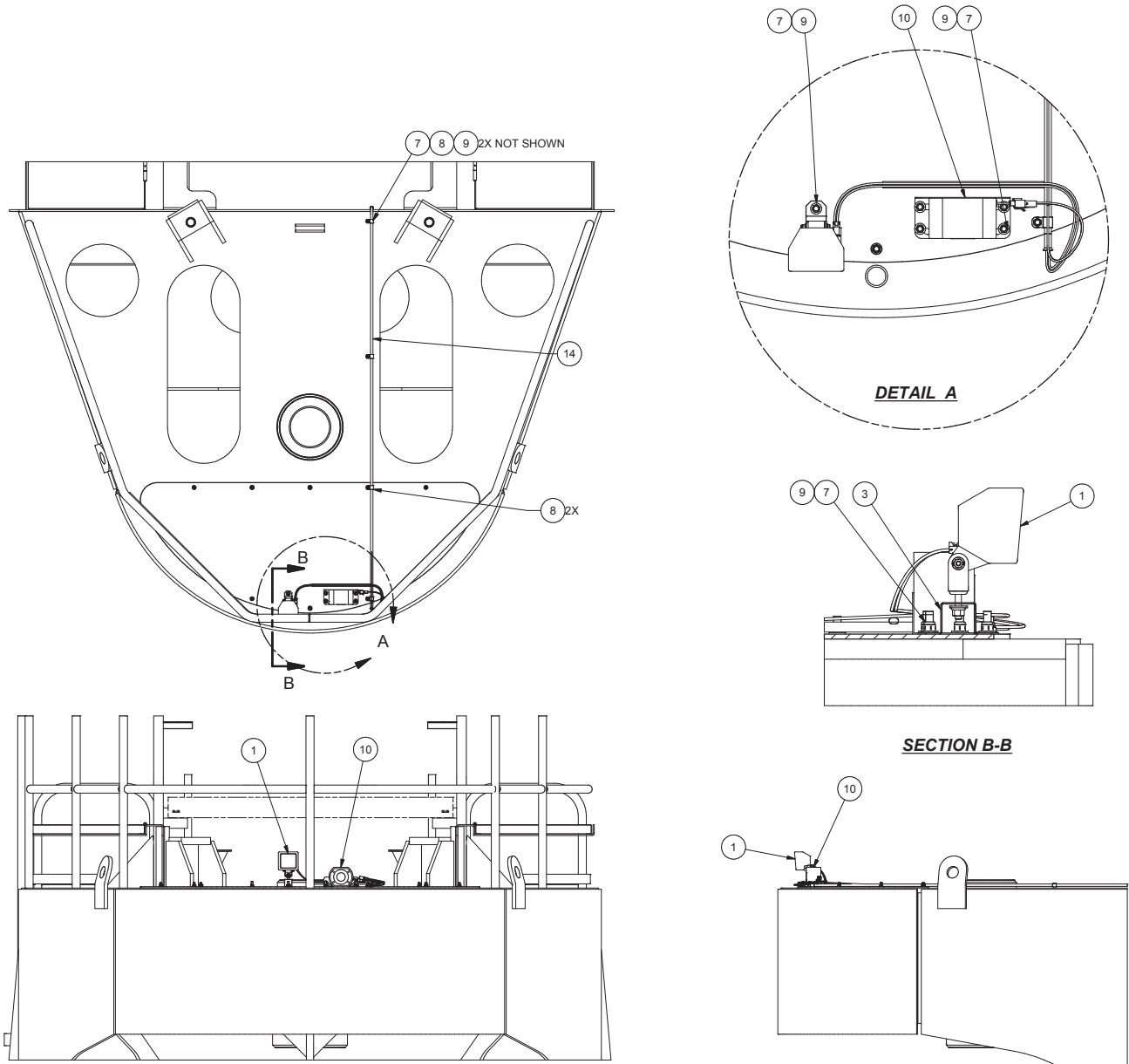


Reverse Alarm/2WD Installation



| Item   | Part No. | Qty | Description | Item | Part No. | Qty | Description      |
|--|----------|-----|-------------|------|----------|-----|------------------|
| <b>587891 Reverse Alarm/2WD Installation</b> |          |     |             |      |          |     |                  |
| 1  | 258338   | 1   | . Light     | 8    | 209578   | 4   | . Clamp          |
| 2  | N/A      | -   | .-          | 9    | 221767W  | 9   | . Washer, Flat   |
| 3  | 587835   | 1   | . Bracket   | 10   | R19361   | 1   | . Alarm, Reverse |
| 4  | N/A      | -   | .-          | 14   | 589106   | 1   | . Tube           |
| 7  | 223654   | 9   | . Nut, Lock |      |          |     |                  |