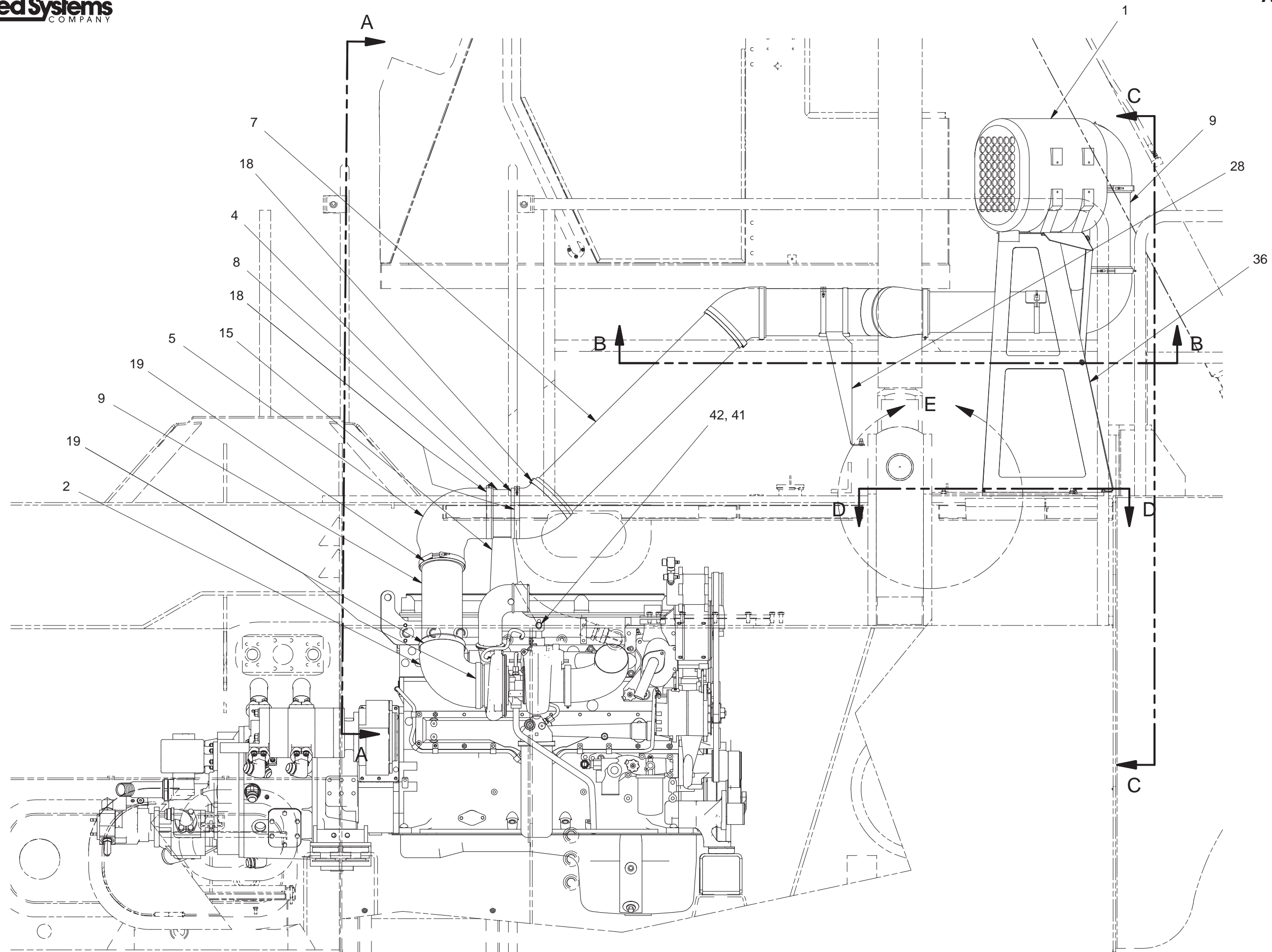
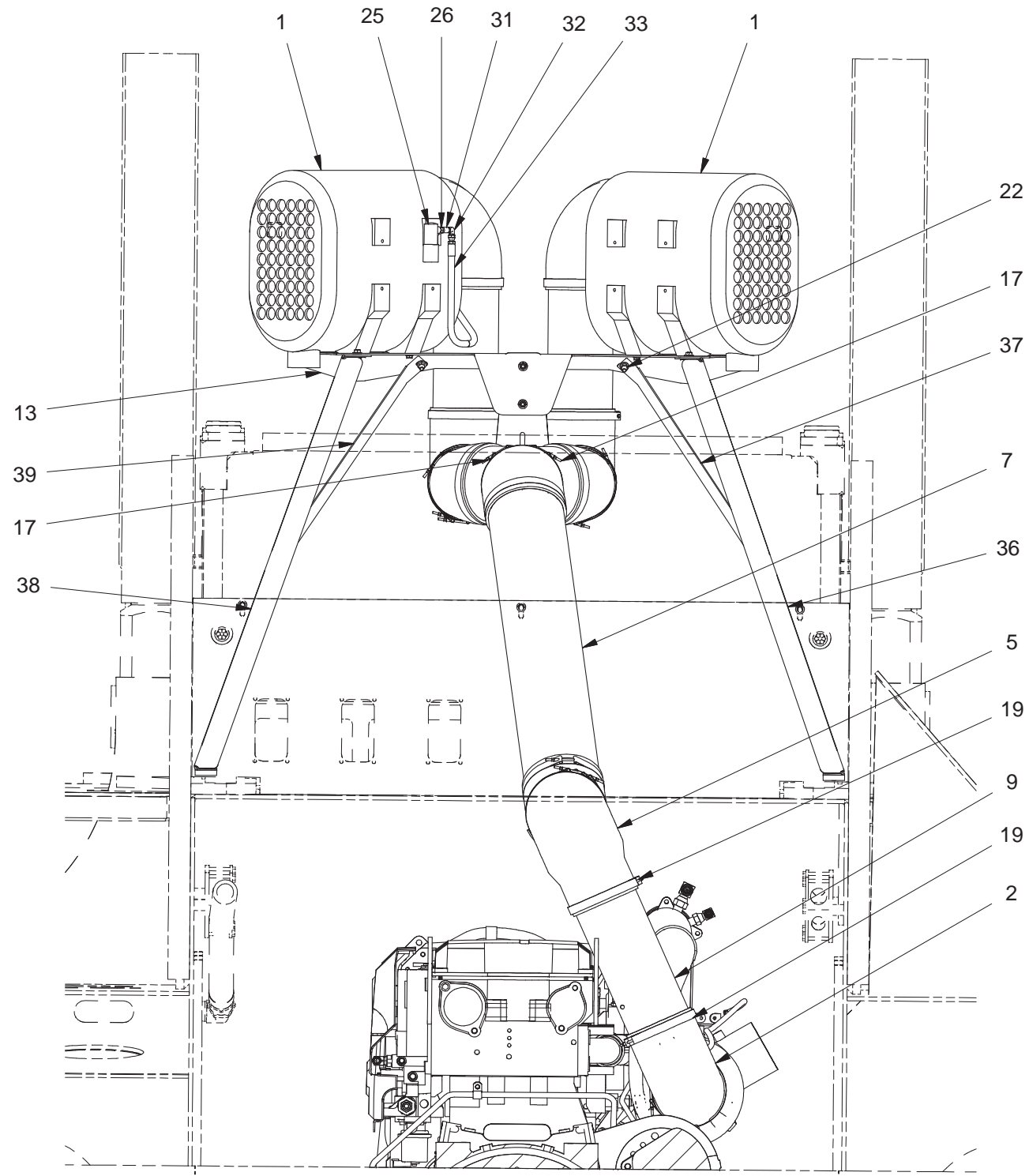

Air Cleaner Installation

Air Cleaner Installation

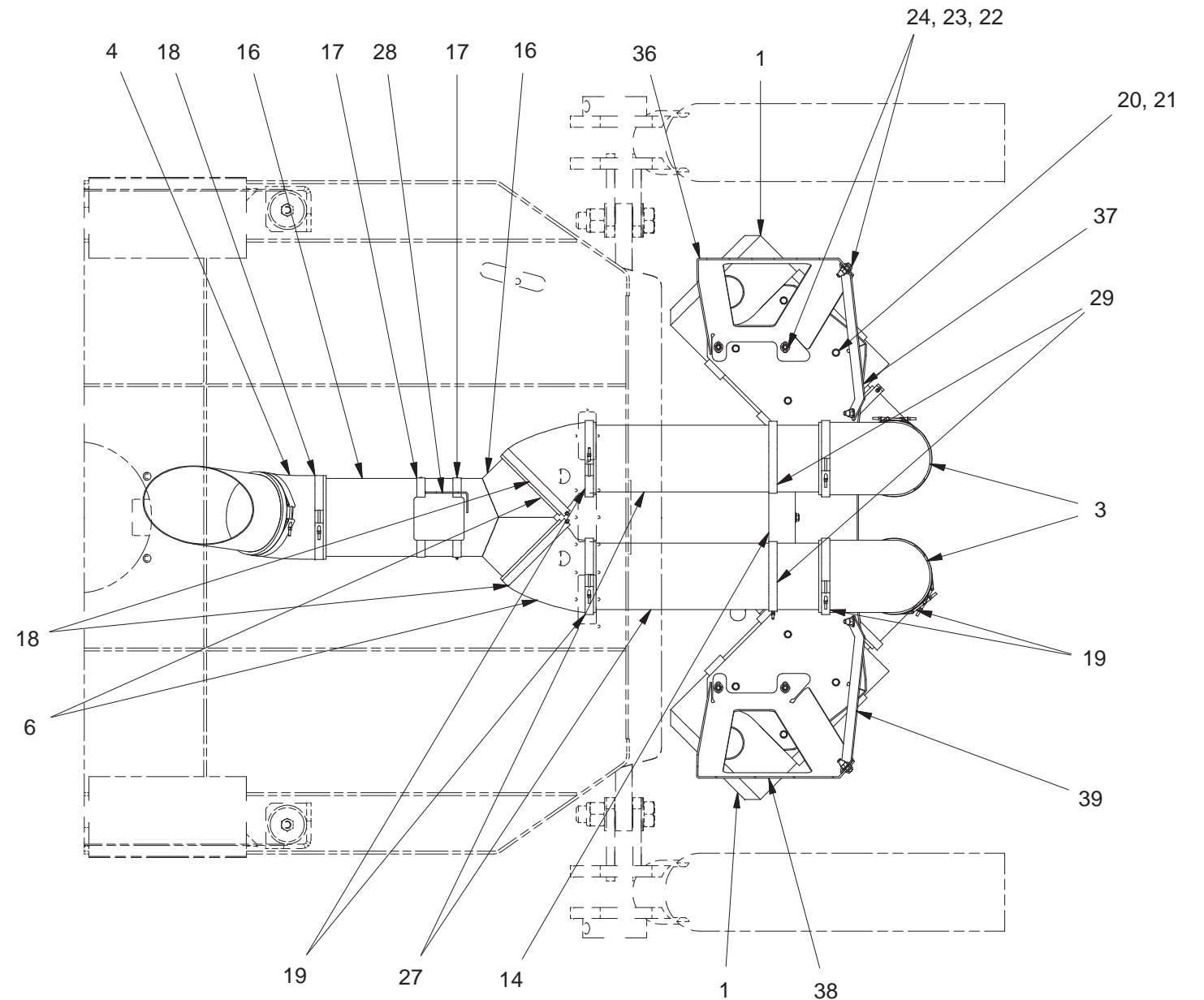
Item	Part No.	Qty	Description	Item	Part No.	Qty	Description
	587871		Air Cleaner Installation				
1	* 258700	2	. Air Cleaner Assembly	24	16828W	10	. Capscrew
2	R1904878	3	. Elbow	25	208136	1	. Indicator
3	215733	2	. Elbow	26	208137	1	. Filter, Restriction
4	224226	2	. Elbow	27	YDHA 8213-22.50	2	. Tube
5	224354	1	. Elbow	28	588621	1	. Bracket, Intake
6	228425	2	. Elbow	29	R13803357	2	. T-Bolt Clamp
7	YDHA 8212-36.00	1	. Tube	31	508790	1	. Bracket Assembly
8	YDHA 8212-4.50	1	. Tube	32	209405	2	. Fitting
9	YDHA 8213-14.00	3	. Tube	33	240714	1	. Hose Assembly
13	586506	1	. Plate, Mounting	34	16597W	6	. Capscrew
14	586507	1	. Bracket	35	587215	2	. Plate, Bar Mounting
15	588591	1	. Bracket, Intake	36	588601	1	. Plate, Filter
16	586510	1	. Tube, Air Intake	37	588606	1	. Brace
17	258792	2	. T-Bolt Clamp	38	588603	1	. Plate, Filter
18	210631	7	. T-Bolt Clamp	39	588614	1	. Brace
19	259035	13	. T-Bolt Clamp	40	236572	2	. Stud
20	Y09C-M0820	8	. Capscrew	41	296422W	2	. Hard Washer
21	296418W	8	. Hard Washer	42	R13811225	2	. Capscrew
22	R13811191	12	. Locknut				
23	221767W	28	. Washer				

* See Separate Coverage

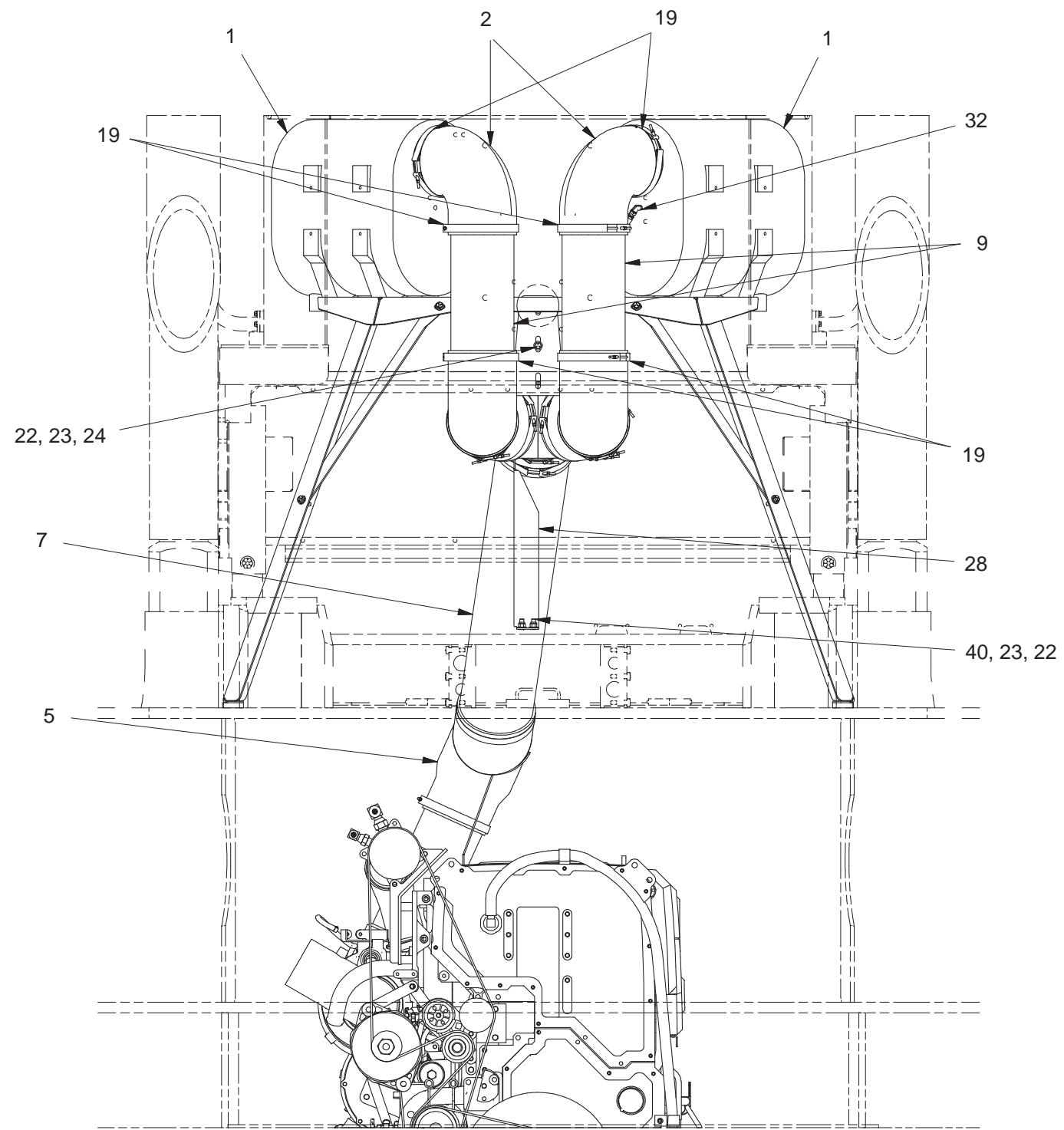




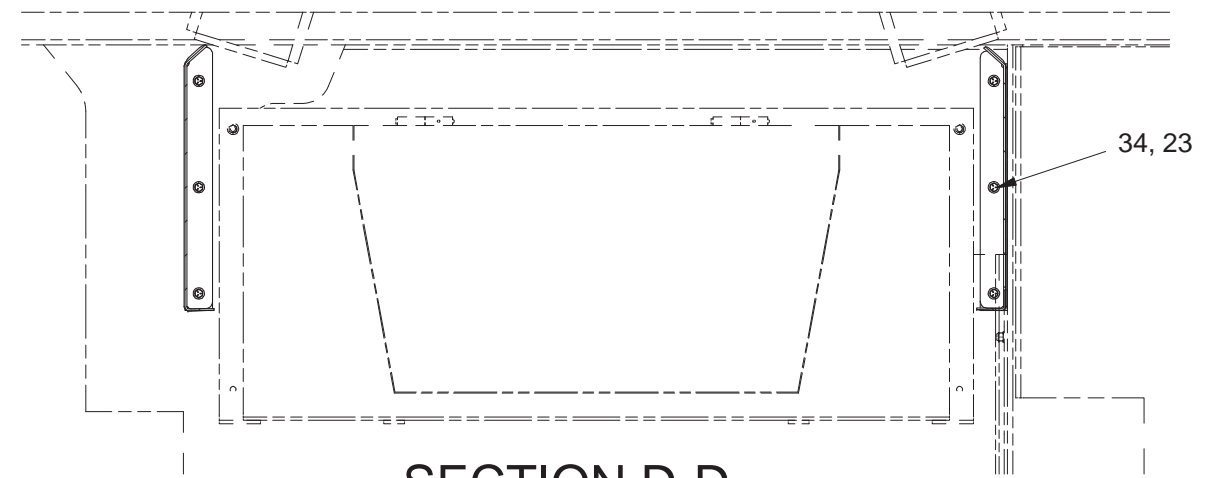
SECTION A-A



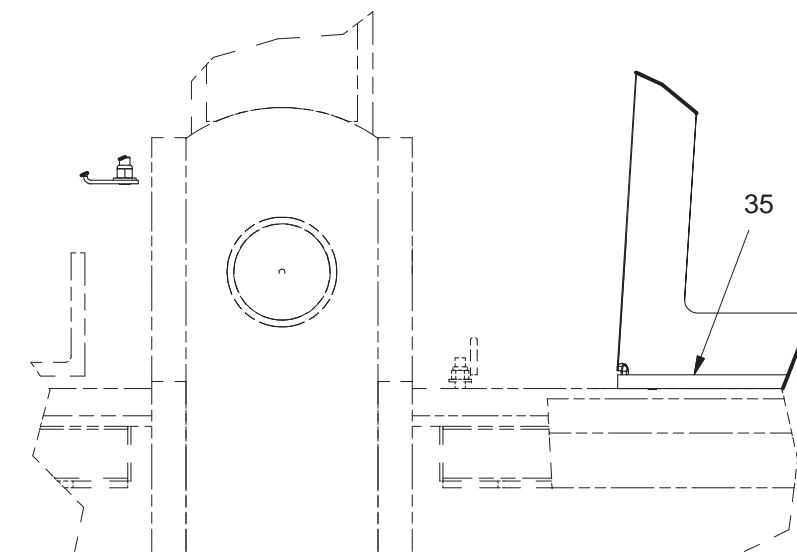
SECTION B-B



SECTION C-C



SECTION D-D



DETAIL E

← FRONT