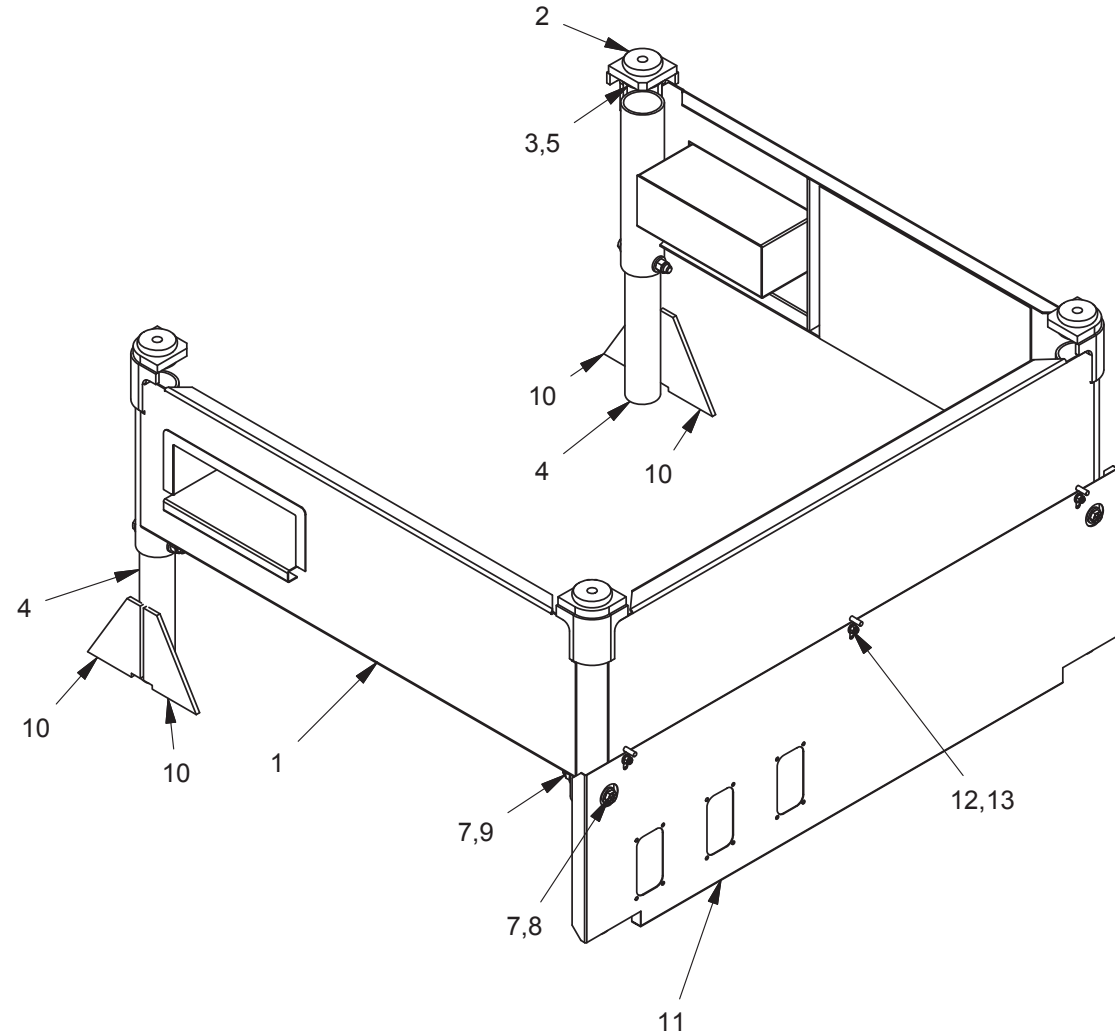


Superstructure Installation



Item	Part No.	Qty	Description	Item	Part No.	Qty	Description
587865 Superstructure Installation							
1	586659	1	. Superstructure Weldment	8	239515	4	. Capscrew
2	224222	4	. Vibration Dampener	9	R13811195	4	. Locknut
3	R13811196	4	. Locknut	10	586681	4	. Plate, Gusset
4	581446	4	. Standpipe	11	588174	1	. Plate, Guard
5	557376	4	. Flat Washer	12	R13811191	3	. Locknut
7	15125W	8	. Washer	13	221767W	3	. Washer