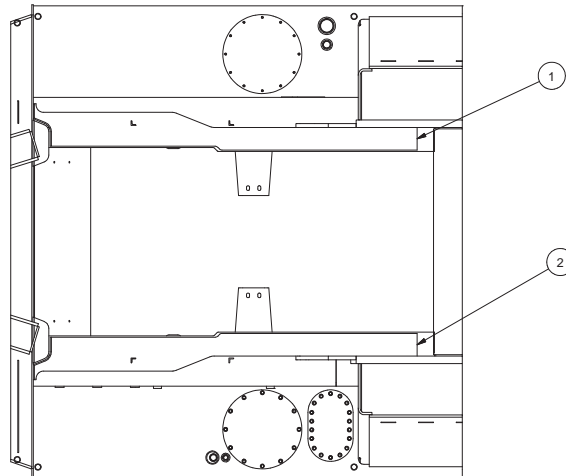
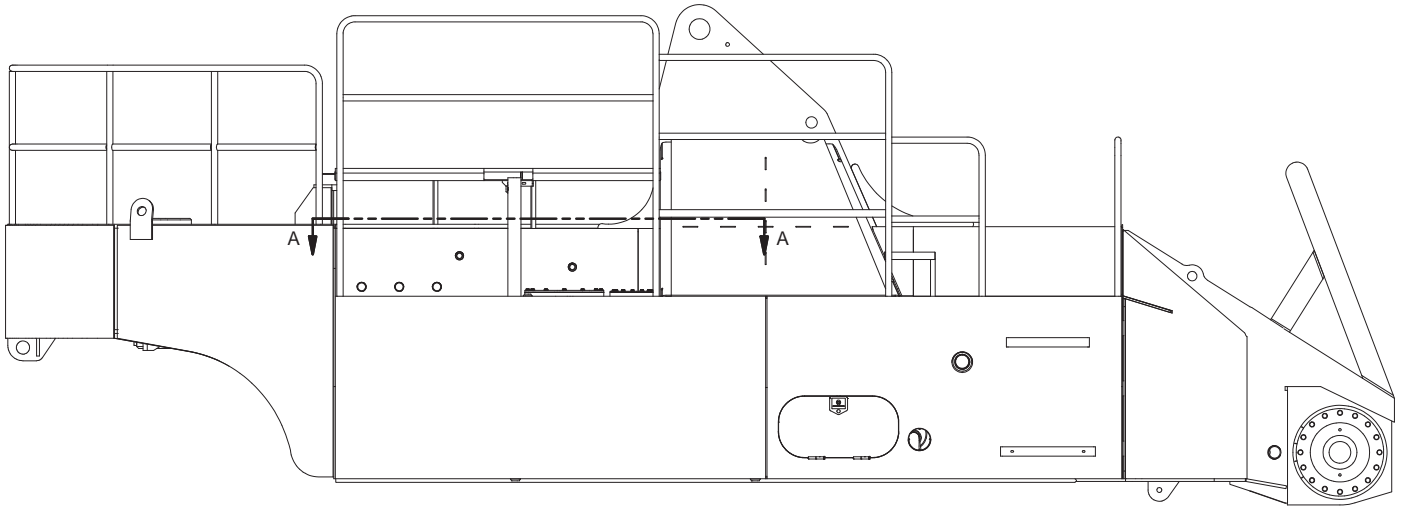


Kit, Chassis Reinforced



SECTION A-A

Item	Part No.	Qty	Description	Item	Part No.	Qty	Description
	587837		Kit, Chassis Reinforcement				
1	587838	1	. Plate, Reinforcement, RH				
2	587839	1	. Plate, Reinforcement, LH				