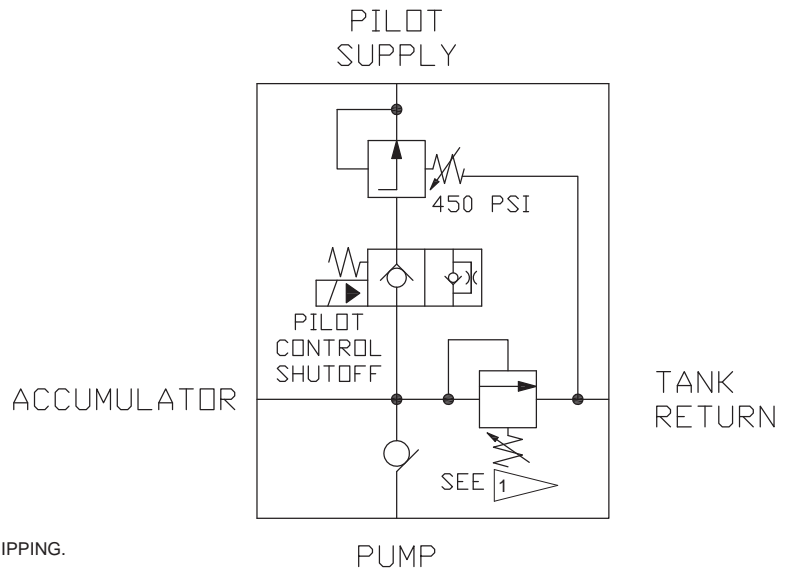
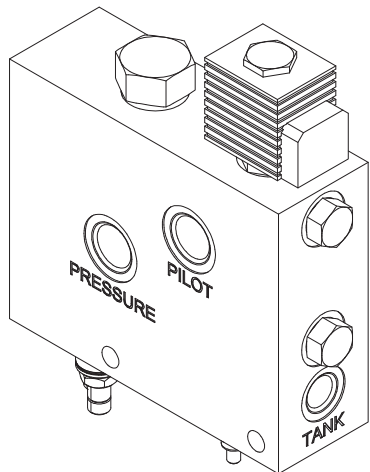
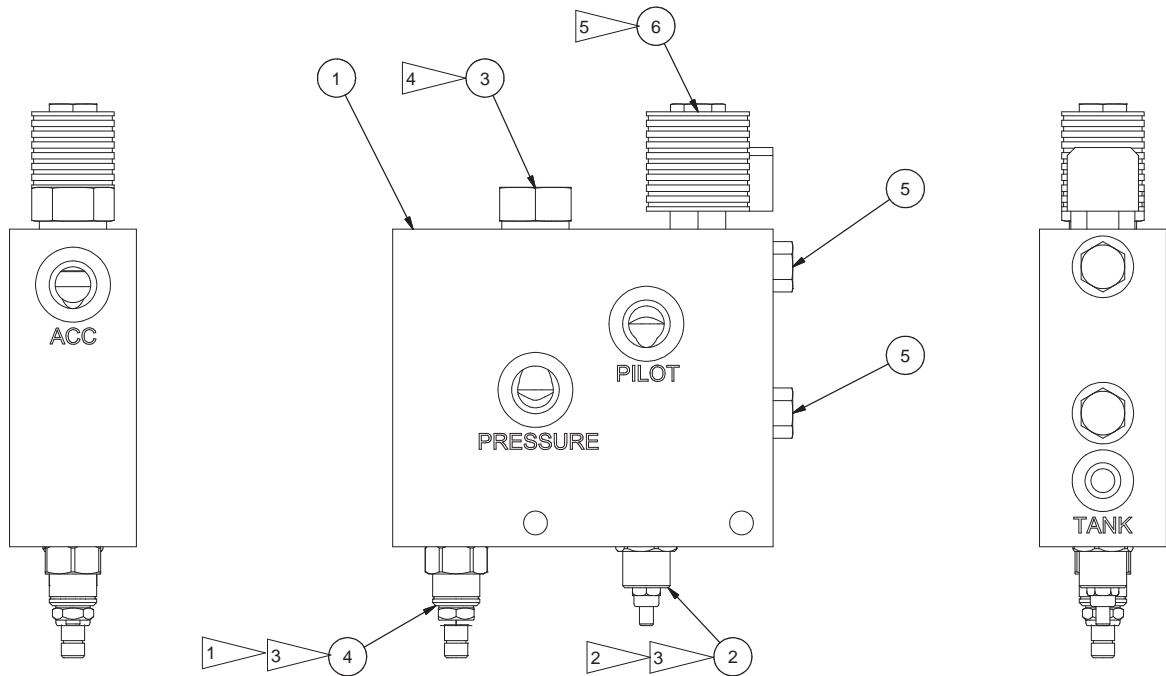


Manifold Assembly



NOTES:
PLUG ALL OPEN PORTS FOR STORAGE OR SHIPPING.

- 1 SET AT 1800 PSI
- 2 SET AT 450 PSI
- 3 TORQUE TO 30-35 FT*LBS
- 4 TORQUE TO 45-50 FT*LBS
- 5 TORQUE TO 25-30 FT*LBS

Item	Part No.	Qty	Description	Item	Part No.	Qty	Description
587795 Manifold Installation							
1	581403	1	. Manifold, Alm	5	246856	1	. Valve, Solenoid
2	235622	1	. Cartridge, Valve		244647	1	.. Seal Kit
	242101	1	.. Seal Kit		251408	1	.. Coil
3	233968	1	. Cartridge, Valve	6	212762	2	. Fitting
	251170	1	.. Seal Kit		211564	1	.. O-Ring
4	249674	1	. Cartridge, Valve				