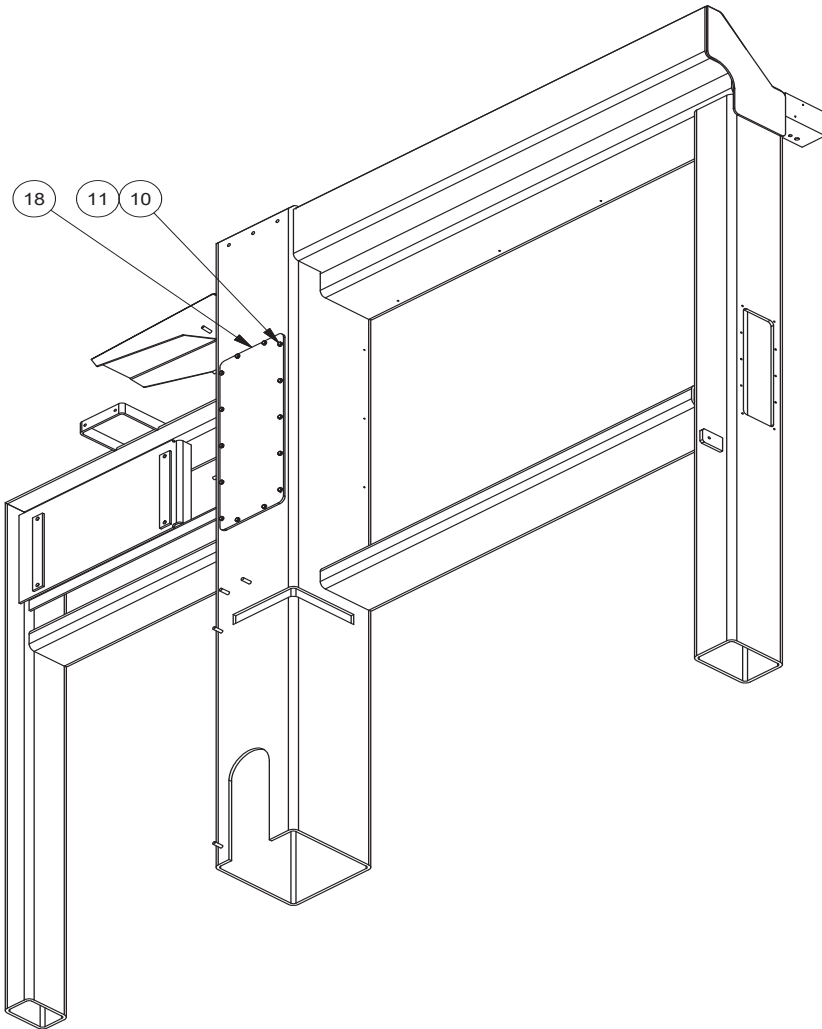


Cab Guard



Item	Part No.	Qty	Description	Item	Part No.	Qty	Description
	Partno		Part Name/Description				
10	224120W	14	. Capscrew				
11	R13812512	14	. Lockwasher				
18	180-0478	1	. Cover,Access				